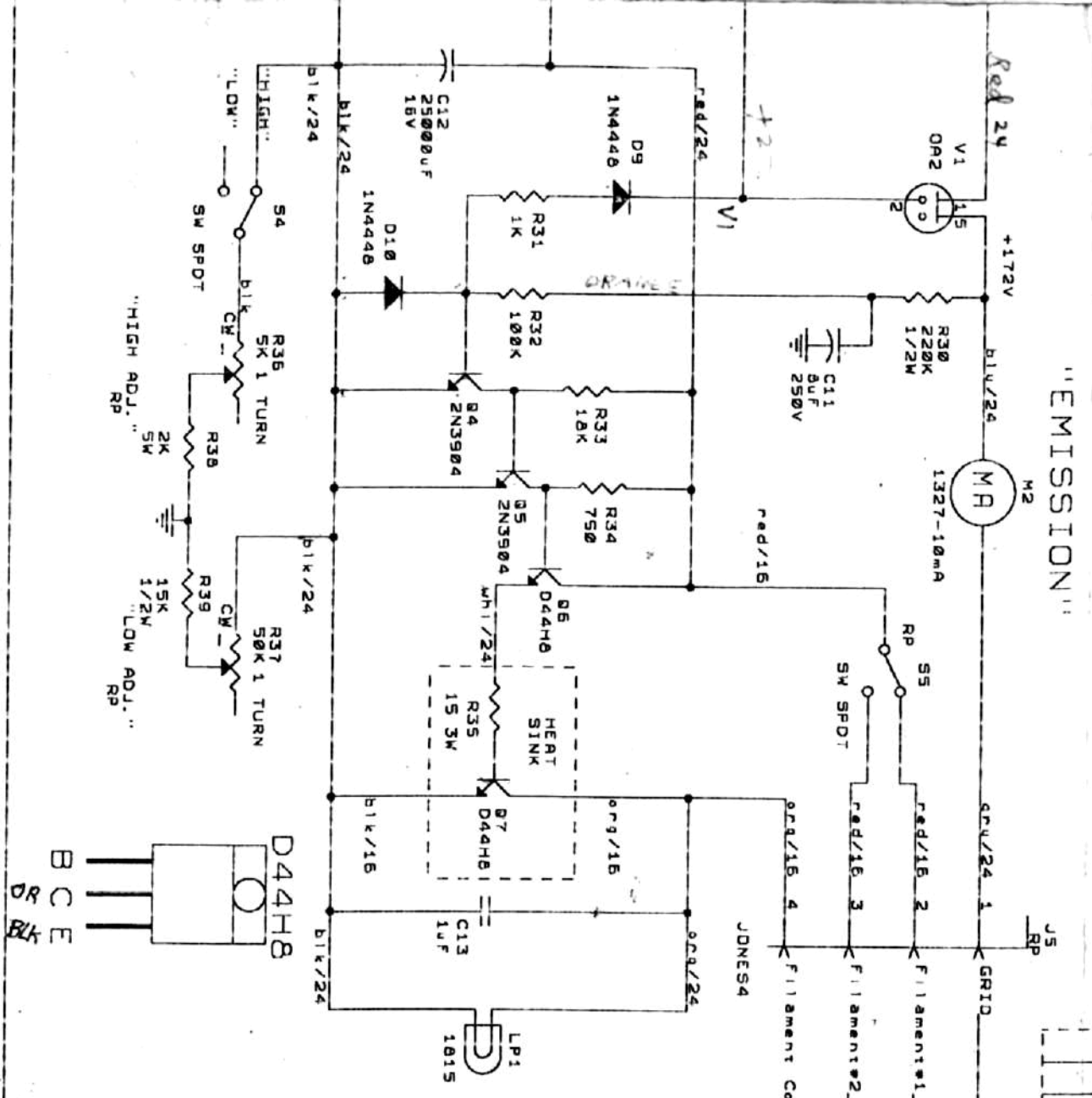


CABLE CONNECTIONS (18-4)



Notes

- 1) All resistors in ohms; K = 1K
- 2) All capacitors in ufarads unless stated
- 3) All connectors, switches, etc. located on front panel unless stated RP
- 4) SW3 is part of main power switch
- 5) R20 - R25 located on SW2
- 6) R6 selected to match voltage excess D5; with 1mA through R6
- 7) 16 gauge wires to Q7 and Q5 come directly from C12 or B22
- 8) V1 = OB2 if RCA 1949 is used
- 9) Set emission at 0mA for OA2 or 10mA for OB2

U.W. PHYSICS ELECTRONICS SHOP	
Dan Peterson / Mike Murray / ACW	
ION GAUGE CONTROLLER / ALBERT GAUGE	
Title	REV
Size	Document Number
C	IONGAGE
Date:	Nov. 18, 1992 Sheet 1 of 1