

Errata

Title & Document Type: 8013B Pulse Generator Operating and Service Manual

Manual Part Number: 08013-90006

Revision Date: September 1976

HP References in this Manual

This manual may contain references to HP or Hewlett-Packard. Please note that Hewlett-Packard's former test and measurement, semiconductor products and chemical analysis businesses are now part of Agilent Technologies. We have made no changes to this manual copy. The HP XXXX referred to in this document is now the Agilent XXXX. For example, model number HP8648A is now model number Agilent 8648A.

About this Manual

We've added this manual to the Agilent website in an effort to help you support your product. This manual provides the best information we could find. It may be incomplete or contain dated information, and the scan quality may not be ideal. If we find a better copy in the future, we will add it to the Agilent website.

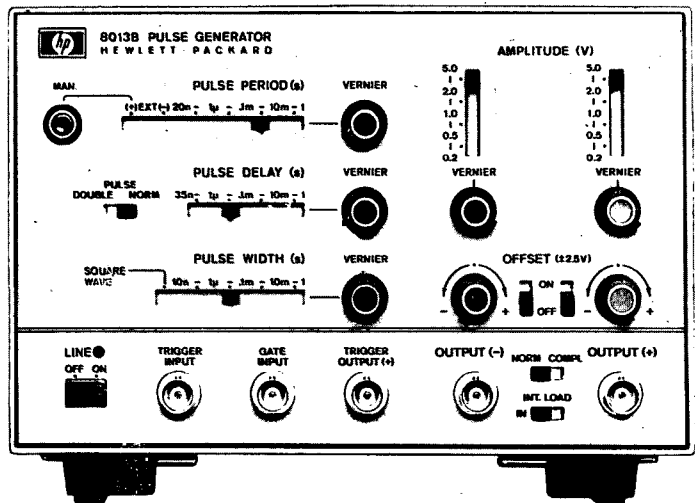
Support for Your Product

Agilent no longer sells or supports this product. You will find any other available product information on the Agilent Test & Measurement website:

www.tm.agilent.com

Search for the model number of this product, and the resulting product page will guide you to any available information. Our service centers may be able to perform calibration if no repair parts are needed, but no other support from Agilent is available.

8013B PULSE GENERATOR



HEWLETT  PACKARD

MANUAL CHANGES

MANUAL IDENTIFICATION

Model Number: 8013B

Date Printed: October 1977

Part Number: 08013-90006

This supplement contains important information for correcting manual errors and for adapting the manual to instruments containing improvements made after the printing of the manual.

To use this supplement:

Make all ERRATA corrections.

Make all appropriate serial number related changes indicated in the tables below.

Serial Prefix or Number	Make Manual Changes	Serial Prefix or Number	Make Manual Changes
2110A	1		

▲ NEW ITEM

▲ ERRATA

Table 6-4. Frame Replaceable Parts,

Delete: XF1.

Add: XF1A, HP Part No. 2110-0564, FUSE HOLDER BODY, Mfr Code 28480,
Mfr Part No. 2110-0564.

Add: XF1B, HP Part No. 2110-0565, FUSE CARRIER, Mfr Code 28480,
Mfr Part No. 2110-0565.

Add: XF1C, HP Part No. 2110-0569, NUT-FUSE HOLDER, Mfr Code 28480,
Mfr Part No. 2110-0569.

Table 6-5. Board A5 Replaceable Parts List,

Change: A5C22, HP Part No. 1180-1713, 1, CAPACITOR-FXD 56UF $\pm 5\%$ 35VDC TA,
Mfr Code 56289, Mfr Part No. 150D565X5035B2.

Change: A5C23, HP Part No. 0180-1718, 1, CAPACITOR-FXD 56 UF $\pm 10\%$ 20VDC TA,
Mfr Code 56289, Mfr Part No. 150D566X9020S2.

Change: A5C33, HP Part No. 0160-3762, CAPACITOR-FXD .68UF $\pm 5\%$ 50 WVDC MET,
Mfr Code 28480, Mfr Part No. 0160-3762

NOTE

Manual change supplements are revised as often as necessary to keep manuals as current and accurate as possible. Hewlett-Packard recommends that you periodically request the latest edition of this supplement. Free copies are available from all HP offices. When requesting copies quote the manual identification information from your supplement, or the model number and print date from the title page of the manual.

▲ ERRATA (continued)

Table 6-6. Board A6 Replaceable Parts List,

Change: A6C25, HP Part No. and Mfr Part No to 0121-0508.

Change: A6C65, HP Part No. and Mfr Part No to 0121-0508.

Change: A6Q4, HP Part No. 1853-0357, 2, TRANSISTOR PNP SI TO-18 PD=360 MW,
Mfr Code 28480, Mfr Part No. 1853-0357.

Change: A6Q5, HP Part No. 1853-0357, TRANSISTOR PNP SI TO-18 PD=360MW,
Mfr Code 28480, Mfr Part No. 1853-0357.

▲ CHANGE 1

Table 6-4. Frame Replaceable Parts List,

Add: FL1, HP Part No. 9135-0112, FILTER-LINE (P/O MP7), Mfr Code 28480,
Mfr Part No. 9135-0112

Change: MP7, HP Part No. and Mfr Part No. to 08012-00227.

Change: S2, HP Part No. 3101-2298, SWITCH DPDT (P/O MP7), Mfr Code 28480,
Mfr Part No. 3101-2298.

Add: S3, HP Part No. 3101-2298, SWITCH DPDT (P/O MP7), Mfr Code 28480,
Mfr Part No. 3101-2298.



OPERATING AND SERVICE MANUAL

MODEL 8013B PULSE GENERATOR

SERIAL NUMBERS

This manual applies directly to instruments with serial numbers prefixed **1441A**.

For additional information about serial numbers see **INSTRUMENT AND MANUAL IDENTIFICATION** in Section I.

© COPYRIGHT HEWLETT-PACKARD COMPANY/COLORADO SPRINGS DIVISION . 1977
1900 GARDEN OF THE GODS ROAD, COLORADO SPRINGS, COLORADO, U.S.A.

ALL RIGHTS RESERVED

Manual Part Number 08013-90006
Microfiche Part Number 08013-90506

PRINTED: OCT 1977

SAFETY SUMMARY

The following general safety precautions must be observed during all phases of operation, service, and repair of this instrument. Failure to comply with these precautions or with specific warnings elsewhere in this manual violates safety standards of design, manufacture, and intended use of the instrument. Hewlett-Packard Company assumes no liability for the customer's failure to comply with these requirements.

GROUND THE INSTRUMENT.

To minimize shock hazard, the instrument chassis and cabinet must be connected to an electrical ground. The instrument is equipped with a three-conductor ac power cable. The power cable must either be plugged into an approved three-contact electrical outlet or used with a three-contact to two-contact adapter with the grounding wire (green) firmly connected to an electrical ground (safety ground) at the power outlet. The power jack and mating plug of the power cable meet International Electrotechnical Commission (IEC) safety standards.

DO NOT OPERATE IN AN EXPLOSIVE ATMOSPHERE.

Do not operate the instrument in the presence of flammable gases or fumes. Operation of any electrical instrument in such an environment constitutes a definite safety hazard.

KEEP AWAY FROM LIVE CIRCUITS.

Operating personnel must not remove instrument covers. Component replacement and internal adjustments must be made by qualified maintenance personnel. Do not replace components with power cable connected. Under certain conditions, dangerous voltages may exist even with the power cable removed. To avoid injuries, always disconnect power and discharge circuits before touching them.

DO NOT SERVICE OR ADJUST ALONE.

Do not attempt internal service or adjustment unless another person, capable of rendering first aid and resuscitation, is present.

DO NOT SUBSTITUTE PARTS OR MODIFY INSTRUMENT.

Because of the danger of introducing additional hazards, do not install substitute parts or perform any unauthorized modification to the instrument. Return the instrument to a Hewlett-Packard Sales and Service Office for service and repair to ensure that safety features are maintained.

DANGEROUS PROCEDURE WARNINGS.

Warnings, such as the example below, precede potentially dangerous procedures throughout this manual. Instructions contained in the warnings must be followed.

WARNING

**Dangerous voltages, capable of causing death, are present in this instrument.
Use extreme caution when handling, testing, and adjusting.**

TABLE OF CONTENTS

Section		Page
1	GENERAL INFORMATION	
1-1	Introduction	1-1
1-6	Specifications	1-3
1-8	Instrument and Manual Identification	1-3
2	INSTALLATION	
2-1	Initial Inspection	2-1
2-5	Claims for Damage	2-1
2-7	Repacking	2-1
2-9	Preparation for Use	2-2
2-12	Power Source Requirements	2-2
2-15	Temperature Requirements	2-2
2-17	Rack Mounting	2-2
3	OPERATING INSTRUCTIONS	
3-1	General	3-1
3-3	Output Formats	3-1
3-6	Internal 50 Ohm Load	3-1
3-8	Control Layout	3-1
3-11	Norm Operating Mode	3-2
3-13	Internal Trigger	3-2
3-18	External Trigger	3-4
3-23	Manual Trigger	3-5
3-28	Square Wave Mode	3-7
3-34	Gating Mode	3-9
3-38	RZ Mode	3-10
3-44	Double Pulse Mode	3-11
3-49	External Width Mode	3-13
3-54	Additional Facilities in RZ and Ext Width Modes	3-14
4	THEORY OF OPERATION	
4-1	Introduction	4-1
4-9	Repetition Rate Generator	4-2
4-12	Internal Rate Generator	4-2
4-14	External Trigger Operatiog	4-2
4-16	Manual Operation	4-2
4-18	Gating	4-2
4-20	Selector Circuits	4-2
4-26	Delay Generator	4-4
4-31	Width Generator	4-5
4-37	Output Amplifiers	4-5
4-43	Offsets and Attenuators	4-7
4-48	Power Supplies	4-7

TABLE OF CONTENTS (Cont'd)

Section	Page
5 MAINTENANCE	
5-1 General	5-1
5-4 Removal of Covers	5-1
5-6 Removal of Assemblies	5-1
5-8 Timing board — Assembly 5	5-1
5-10 Output board — Assembly 6	5-1
5-15 Mother board — Assembly 7	5-1
5-23 Equipment Required	5-1
5-25 Performance Tests	5-2
5-27 Internal Checks and Adjustments	5-2
5-29 Service Product Safety Check	5-2
6 DIAGRAMS AND REPLACEABLE PARTS	
6-1 Introduction	6-1
6-3 Ordering Information	6-1
6-4 General	6-1
7 BACKDATING	
7-1 Introduction	7-1
7-3 Change Sequence	7-1

LIST OF TABLES

Table	Title	Page
1-1	Specifications	1-2
5-1	Test Equipment and Accessories	5-3
5-2	Performance Test: Pulse Period	5-4
5-3	Performance Test: Pulse Delay	5-4
5-4	Performance Test: Pulse Width (greater than 1 μ s)	5-5
5-5	Performance Test: Minimum Pulse Width	5-5
5-6	Performance Test: Pulse Period Jitter	5-6
5-7	Performance Test: Pulse Delay Jitter	5-6
5-8	Performance Test: Pulse Width Jitter	5-7
5-9	Performance Test: Square Wave	5-7
5-10	Performance Test: Duty Cycle	5-8
5-11	Performance Test: Manual Operation	5-8
5-12	Performance Test: External Width Operation	5-9
5-13	Performance Test: RZ Operation	5-9
5-14	Performance Test: Gate Operation	5-10
5-15	Performance Test: External Trigger Operation	5-10
5-16	Performance Test: High Frequency Trigger Operation	5-11
5-17	Performance Test: Trigger Output	5-11
5-18	Performance Test: Preshoot, Overshoot and Ringing	5-12
5-19	Performance Test: Amplitude	5-12
5-20	Performance Test: DC Offset	5-13
5-21	Internal Checks and Adjustments — Power Supply	5-13
5-22	Internal Checks and Adjustments — Repetition Rate	5-14
5-23	Internal Checks and Adjustments — Delay and Width Timing	5-14
5-24	Internal Checks and Adjustments — Pulse Perturbation	5-15
5-25	Internal Checks and Adjustments — Double Pulse	5-16
5-26	Service Product Safety Check	5-18

LIST OF TABLES (Cont'd)

Table	Title	Page
6-1	Reference Designators	6-1
6-2	Diagram Notes	6-2
6-3	Manufacturers' Code	6-3
6-4	Frame Replaceable Parts List	6-5
6-5	Board A5 Replaceable Parts List	6-7
6-6	Board A6 Replaceable Parts List	6-13
6-7	Board A7 Replaceable Parts List	6-17
7-1	Manual Backdating Changes	7-1
7-2	Replacement for Table 6-4. Frame Replaceable Parts List	7-5
7-3	Replacement for Table 6-5. Board A5 Replaceable Parts List	7-6
7-4	Replacement for Table 6-6. Board A6 Replaceable Parts List	7-11
7-5	Replacement for Table 6-7. Board A7 Replaceable Parts List	7-14

LIST OF ILLUSTRATIONS

Figure	Title	Page
2-1	Power Cords	2-1
2-2	Selector settings for the nominal power line voltages	2-2
3-1	8013B Front and rear panels - Control identification diagram	3-0
3-2	Normal/Complement Outputs	3-1
3-3	Positioning of Controls	3-2
3-4	Initial Control Settings and Test Equipment	3-3
3-5	Normal Internal Trigger Mode - Block Diagram	3-3
3-6	Output Pulses in Normal Internal Trigger Mode	3-4
3-7	Normal External Trigger Mode - Block Diagram	3-5
3-8	Output Pulses in Normal External Trigger Mode	3-6
3-9	Normal Manual Trigger Mode - Block Diagram	3-6
3-10	Output Pulses in Normal Manual Trigger Mode	3-7
3-11	Normal Square Wave Mode - Block Diagram	3-8
3-12	Output Pulses in Square Wave Mode	3-8
3-13	Normal Gate Mode - Block Diagram	3-9
3-14	Output Pulses in Gate Mode	3-10
3-15	RZ Mode - Block Diagram	3-10
3-16	Output Pulses in RZ Mode	3-11
3-17	Double Pulse Mode - Block Diagram	3-12
3-18	Output Pulses in Double Pulse Mode	3-12
3-19	External Width Mode - Block Diagram	3-13
3-20	Output Pulses in External Width Mode	3-14
3-21	Independent Clock Generator in RZ/EXT WIDTH Modes - Block Diagram	3-14
4-1	8013B Pulse Generator - Block Diagram	4-0
4-2	Repetition Rate Generator - Block Diagram	4-1
4-3a	Normal Mode (including external trigger and rate mode)	4-2
4-3b	RZ Mode	4-3
4-3c	Ext Width Mode	4-3
4-3d	Square Wave Mode	4-4
4-4	Delay Generator - Block Diagram	4-4
4-5	Width Generator - Block Diagram	4-5
4-6	Output Amplifiers - Block Diagram	4-6
4-7	Offsets and Attenuators - Block Diagram	4-6

LIST OF ILLUSTRATION (Cont'd)

Figure	Title	Page
6-1	Assembly Diagram	6-4
6-2	Component Layout – Board A5	6-6
6-3	Component Layout – Board A6	6-12
6-4	Component Layout – Board A7 – Front View	6-16
6-5	Component Layout – Board A7 – Rear View	6-17
6-6	Repetition Rate Generator 8013B, Schematic 1	6-19
6-7	Mode Selector, Trigger Amplifier, Ext. Input and Square Wave Circuits 8013B, Schematic 2	6-21
6-8	Delay Generator 8013B, Schematic 3	6-23
6-9	Width Generator 8013B, Schematic 4	6-25
6-10	Output Amplifiers 8013B, Schematic 5	6-27
6-11	Offset and Attenuator 8013B, Schematic 6	6-29
6-12	Power Supplies 8013B, Schematic 7	6-31
7-1	Replacement for Figure 6-2. Component Layout – Board A5	7-4
7-2	Replacement for Figure 6-1. Assembly Diagram	7-15
7-3	Replacement for Figure 6-2. Component Layout – Board A5	7-16
7-4	Replacement for Figure 6-12. Power Supplies 8013B	7-17

1-1 INTRODUCTION

1-2 The 8013B is an extremely versatile, easy to operate pulse generator with a wide range of applications. It has a variable repetition rate of 0–50 MHz and transition times of $< 3.5\text{ns}$ which make it ideal for testing digital logic: HTL, RTL, DTL and most ECL can be tested. The simultaneous positive and negative outputs are useful for testing circuits with both positive and negative power supplies. Format changes from normal to complement can be made at the throw of a switch, without having to re-adjust any pulse parameters. This enables changes from positive to negative logic conventions to be made and 100% duty cycles to be obtained very easily.

1-3 The 8013B has a selectable source impedance which makes impedance matching to the circuit under test very simple. It also has a square wave facility that is independent of width and delay settings and a double pulse facility that is useful for testing device recovery times and making noise immunity measurements.

1-4 The front panel of the 8013B has been carefully designed to provide a logical layout of the controls; horizontal controls for pulse timing parameters, vertical controls for pulse amplitude parameters. Also, compatible pulse settings are guaranteed as long as the pulse delay and pulse width controls are either set to the left of the pulse period control or; if set vertically below the period control, that the delay and width verniers are set counterclockwise of the period vernier. This simple, straightforward design enables pulses to be set up extremely quickly and easily.

1-5 The 8013B will operate in three different modes as follows:

Normal mode: in this mode the internal rate generator determines the repetition rate of the output pulses. The generator can be triggered internally, externally or manually or can be gated. A trigger pulse is generated for each output pulse and the pulse output can be delayed with respect to the trigger output.

RZ mode: in this mode external pulses are applied to the input connector on the 8013B rear panel and these pulses trigger the delay generator directly, completely by-passing the internal rate generator. Thus the internal rate generator can be used separately in this mode to provide trigger pulses that are independent of the RZ output.

External width mode: in this mode external pulses applied to the input socket on the rear panel determine the width and repetition rate of the output pulses. In fact the output is a pulse-shaped version of the external input. The pulse available at the trigger output, being derived from the internal rate generator, is independent of the RZ output.

Table 1-1. Specifications

PULSE CHARACTERISTICS

Transition times: 3.5ns fixed with INT LOAD switched IN. < 5ns fixed with INT LOAD switched OUT.

Overshoot and ringing: < $\pm 5\%$ of pulse amplitude unless INT LOAD is switched OUT and amplitude reduced to 0.4V – 4V when it may increase to $\pm 10\%$.

Preshoot: < $\pm 5\%$ of pulse amplitude.

Pulse width: < 10ns to 1s in four ranges. Vernier provides continuous adjustment within ranges.

Width jitter: < 0.1% + 50ps on any width setting.

Maximum duty cycle: > 75% from 1 Hz to 10 MHz, decreasing to $\geq 40\%$ at 50 MHz. Up to 100% in COMPL mode.

Maximum output: with INT LOAD switched IN, output is 5V across 50 ohms, 10V across open circuit. With INT LOAD switched OUT, output is 10V across 50 ohms. Output circuit cannot be damaged by short circuits.

Attenuator: 4-step attenuator reduces output to 0.2V with INT LOAD switched IN, or to 0.4V with INT LOAD switched OUT. Vernier provides continuous adjustment within ranges.

Polarity: dual channel, positive and negative outputs simultaneously.

Output format: normal or complement selectable.

Source impedance: 50 ohms $\pm 3\%$ shunted by typically 20pF with INT LOAD switched IN. > 50 ohms shunted by typically 20pF with INT LOAD switched OUT.

DC offset: with INT LOAD switched IN, offset is $\pm 2.5V$ across 50 ohms and is independent of amplitude settings. With INT LOAD switched OUT, offset is automatically switched off.

Pulse delay: < 35ns to 1s (with respect to trigger output) in four ranges. Vernier provides continuous adjustment within ranges. Min. delay 17ns typical.

Delay jitter: < 0.1% + 50ps on any delay setting.

REPETITION RATE AND TRIGGER

Repetition rate: 1 Hz to 50 MHz in four ranges, continuous adjustment within ranges.

Period jitter: < 0.1% + 50ps on any rate setting.

Square wave: 0.5 Hz to 25 MHz in four ranges. Duty cycle 50% $\pm 5\%$ up to 1 MHz. At 25 MHz tolerance increases to $\pm 15\%$.

Double pulse: up to 25 MHz simulating 50 MHz.

Trigger output: > +1V across 50 ohms, 16ns ± 10 ns wide. Suitable for triggering another 8012B/13B.

EXTERNALLY CONTROLLED OPERATION

External Triggering

Repetition rate: 0 to 50 MHz. For square wave output, frequency is divided by 2.

Trigger input: sinewaves > 1.7 p-p (about zero) or pulses > 0.8V either polarity with a width of > 7ns.

Maximum input amplitude: $\pm 7V$.

Delay: 25ns ± 8 ns between leading edge of trigger input and trigger output signals.

Input impedance: 50 ohms $\pm 10\%$, dc coupled.

Manual: front panel pushbutton for single pulse.

Gating

Synchronous gating: gating signal turns generator on. First trigger output pulse is coincident with leading edge of gate pulse. Last output pulse is always generated with normal width even if the gate pulse ends during the generation of the pulse.

Gate input: dc-coupled; voltage at open connector approx. +1.8V. Shorting current $\leq 12mA$. Input impedance approx. 160 Ω .

Table 1-1. Specifications (cont'd)

Gate input signal: voltage $> +1.5\text{V}$ or resistor $> 1\text{K}\Omega$ to ground enables rep. rate generator. Voltage $< +0.8\text{V}$ or resistor $< 160\Omega$ disables rep. rate generator. Gate input TTL compatible. Maximum input: $\pm 5\text{V}$.

External Width and RZ modes

External width: output pulse width determined by the width of the drive input signal. Amplitude selectable. Trigger pulses, produced by the internal rate generator, are independent of the output pulses.

RZ mode: external input signal switched directly to delay generator. Output pulse period determined by period of RZ input signal. Delay, width, amplitude and output formats are selectable. Trigger pulses, produced by internal rate generator, are independent of the output pulses.

Input signal: input impedance 50 ohms, dc coupled. Signal amplitude $> +1\text{V}$, maximum input $\pm 5\text{V}$. Width $> 7\text{ns}$.

GENERAL

Operating temperature range: 0°C to 55°C .

Power: 100/120/220/240V +5%, -10%, 48 to 400 Hz, 100 VA max.

Weight: net 4 kg (8.8 lbs); shipping 6.5 kg (14.6 lbs).

Dimensions: 200mm wide, 142mm high, 330mm deep (7.9" x 5.6" x 13").

Accessories: 15179A Adapter frame; rackmount for two units.

1-6 SPECIFICATIONS

1-7 Table 1-1 is a complete list of the Model 8013B critical specifications that are controlled by tolerances. Any changes in specifications due to manufacturing, design, or traceability to the U.S. National Bureau of Standards are included in table 1-1 or on a manual change sheet included with this manual. The manual and manual change sheet (if any) supersede all previous information concerning specifications of the Model 8013B.

1-8 INSTRUMENT AND MANUAL IDENTIFICATION

1-9 Instrument identification by serial number is located on the rear panel. Hewlett-Packard uses a two-

section serial number consisting of a four-digit prefix and a five-digit suffix, separated by a letter designating the country in which the instrument was manufactured. (A=U.S.A.; G=West Germany; J=Japan; U=United Kingdom.)

1-10 This manual applies to instruments with a serial prefix number as shown on the title page. If changes have been made in the instrument since this manual was printed, a "Manual Changes" supplement supplies with the manual will define these changes. Be sure to record these changes in your manual. Backdating information in Section VII adapts the manual to instruments with serial numbers lower than that shown on the title page. Part numbers for the manual and the microfiche copy of the manual are also shown on the title page.

2-1 INITIAL INSPECTION

2-2 Inspect the instrument and accessories for physical damage and if damage is evident refer to paragraphs 2-5 to 2-8 for the recommended claim procedure and repacking information.

2-3 The 8013B is delivered complete with the following items.

ITEM	HP Stock Number
0.5A fuse for 220/240V operation	2110-0202
1A fuse for 100/120V operation	2110-0007

2-4 The power cord delivered with the 8013B will be one of the following:

2-5 CLAIMS FOR DAMAGE

2-6 If physical damage is evident or if the instrument does not meet specifications when received, notify the carrier and the nearest Hewlett-Packard Sales/Service Office. The Sales/Service Office will arrange for repair or replacement of the unit without waiting for settlement of the claim against the carrier.

2-7 REPACKING

2-8 If the instrument is to be shipped to a Hewlett-Packard Sales/Service Office, attach a tag showing owner, address, model and serial number and the repair required. The original shipping carton and packing material can be re-used but the Hewlett-Packard Sales/Service Office will also provide information and recommendations on materials to be used if the original packing is not available or re-usable.

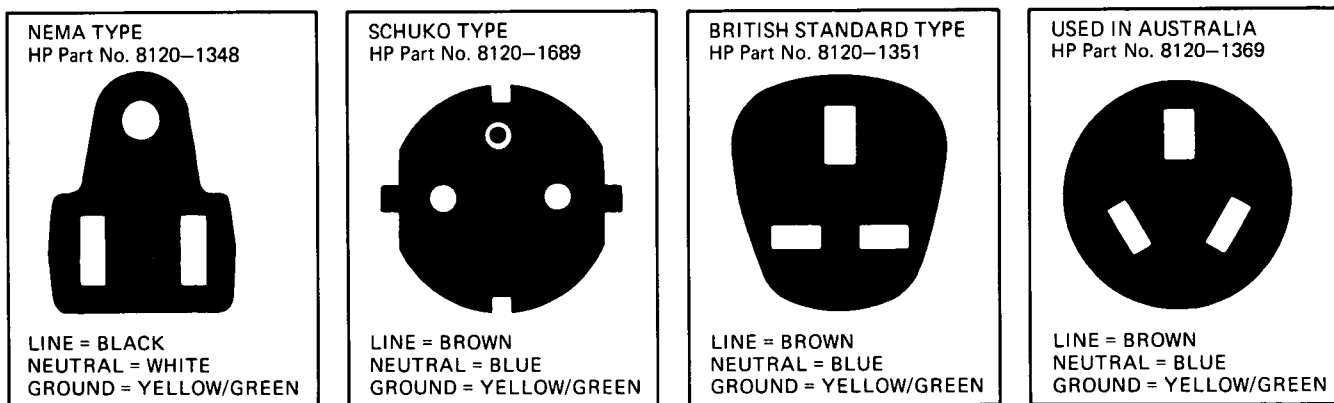


Figure 2-1. Power Cords

2-9 PREPARATION FOR USE

2-10 Power Cord

2-11 The 3-wire power cable supplied with the 8013B when connected to the appropriate power outlet, grounds the instrument cabinet and panels. To preserve this safety feature when operating the instrument from an outlet without a ground connection use an appropriate adapter and connect the ground lead (green/yellow) to an external ground.

2-12 POWER SOURCE REQUIREMENTS

2-13 The model 8013B will operate from nominal ac line supplies of 100V, 120V, 220V or 240V (-10%, +5%) at 48 Hz to 400 Hz. Two switches on the rear panel allow one of the four voltages to be selected.

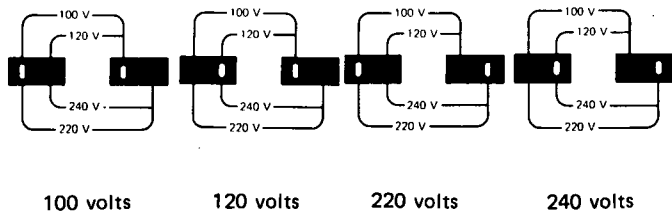


Figure 2-2. Selector settings for the nominal power line voltages

The power dissipation is 100VA max.

CAUTION

Before applying power to the instrument, check on the rear panel that the 8013B is set in accordance with local supply conditions (see para 2-13). If not, use a screwdriver to change the voltage selector positions. Insert the correct fuse into the fuse holder: 1A for 100/120 V Operation; 0.5A for 220/240 V Operation.

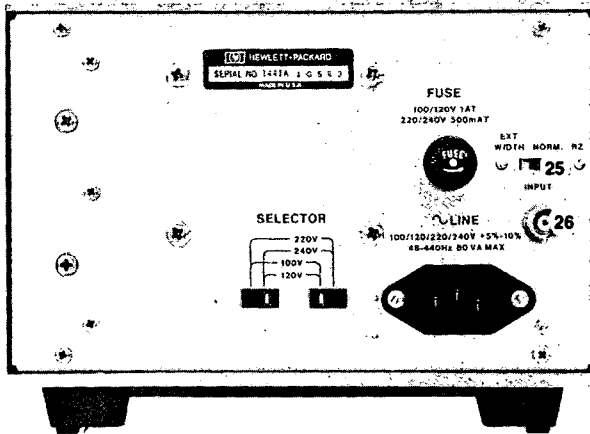
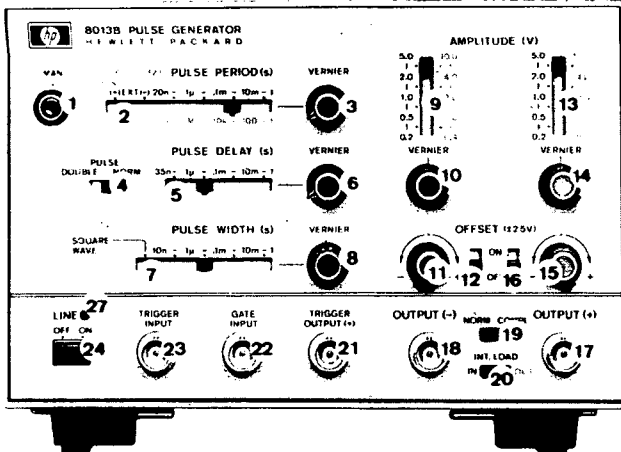
2-14 Connect the power cable to the rear connector.

2-15 TEMPERATURE REQUIREMENTS

2-16 The 8013B will operate within specifications when the ambient temperature is between 0°C (32°F) and 55°C (131°F). It can be stored at temperatures between -40°C (-40°F) and 75°C (167°C).

2-17 RACK MOUNTING

2-18 The 8013B can be mounted in a rack using the 15179A Adapter Frame. This frame has space for mounting either one or two 8013B pulse generators alongside each other in a rack.



① **MAN pushbutton:** push to generate single pulses when the RATE switch is set to EXT(+) or EXT(-).

② **RATE switch:** for selecting the range of pulse rate.

③ **Rate VERNIER:** for continuous adjustment of the repetition rate within the range selected on the RATE switch. Clockwise rotation increases the pulse period (i.e. reduced the rate). In the RZ and EXT WIDTH modes the RATE controls define the frequency of trigger output pulses only.

④ **PULSE DOUBLE/NORMAL switch:** in the DOUBLE PULSE position the 8013B delivers two pulses for every trigger pulse – one pulse in phase with the trigger output and one delayed by the amount set on the PULSE DELAY controls. DOUBLE PULSE is not available in the EXT WIDTH mode and is automatically inhibited if selected. In the NORMAL position, for each trigger pulse, the 8013B delivers, from each output, one pulse which is delayed on the trigger pulse by the amount set on the PULSE DELAY controls.

⑤ **PULSE DELAY switch:** for selecting the range of pulse delay with respect to trigger in all modes except SQUARE and EXT WIDTH.

⑥ **Pulse delay VERNIER:** for continuous adjustment of pulse delay within the range selected on the PULSE DELAY switch. Clockwise rotation increases the delay.

⑦ **PULSE WIDTH switch:** for selecting the range of the pulse width required in all modes except SQUARE and EXT WIDTH.

⑧ **Pulse width VERNIER:** for continuous adjustment of pulse width within the range set on the PULSE WIDTH switch.

⑨ **AMPLITUDE (V) switch:** for selecting range of negative (-) output pulse voltage.

⑩ **AMPLITUDE VERNIER:** for continuous adjustment of negative (-) output voltage within the range selected on the AMPLITUDE switch. Clockwise rotation increases the output amplitude.

⑪ **OFFSET (V) vernier:** for adjustment of baseline of pulse OUTPUT (-) over the range of +2.5V to -2.5V.

⑫ **OFFSET (V) switch:** for enabling/disabling the offset VERNIER (-). In the OFF position, the baseline of the pulse OUTPUT (-) is zero volts.

⑬ **AMPLITUDE (V) switch:** for selecting range of positive (+) output pulse voltage.

⑭ **AMPLITUDE VERNIER:** for continuous adjustment of positive (+) output voltage within the range selected on the AMPLITUDE switch. Clockwise rotation increases the output amplitude.

⑮ **OFFSET (V) vernier:** for adjustment of baseline of pulse OUTPUT (+) over the range of +2.5V to -2.5V.

⑯ **OFFSET (V) switch:** for enabling/disabling the offset VERNIER (+). In the OFF position, the baseline of the pulse OUTPUT (+) is zero volts.

⑰ **OUTPUT (+) connector:** BNC connector.

⑱ **OUTPUT (-) connector:** BNC connector.

⑲ **NORM/COMPL switch:** NORM/COMPL reverses the duty cycle of the output; what was the normal output becomes the complement and vice versa.

⑳ **INT LOAD switch:** switches the internal 50 ohm load either IN or OUT. With load OUT, max. amplitude is doubled to 10V.

㉑ **TRIGGER OUTPUT connector:** BNC connector supplies positive trigger output. Trigger output is not related to the input in EXT WIDTH and RZ modes.

㉒ **GATE INPUT connector:** BNC connector to which gate pulses are applied. The pulse output and trigger output are synchronous to the gate signal.

㉓ **TRIGGER INPUT connector:** BNC connector to which trigger pulses are applied when the RATE switch is set to EXT(-) or EXT(+).

㉔ **LINE ON-OFF switch:** press-for-on-press-for-off switch.

㉕ **EXT WIDTH, NORM, RZ switch:** NORM position enables synchronous pulse and trigger output. With rate switch set to EXT+ and this switch set to RZ (delay trigger) or EXT WIDTH (width trigger) the trigger output is asynchronous to signals applied to the INPUT connector.

㉖ **INPUT connector:** BNC connector to which RZ or EXT WIDTH trigger pulses are applied. Input disabled when rate switch is set to an internal range.

㉗ **LINE lamp:** glows when LINE ON/OFF switch is ON.

Figure 3-1. 8013B Front and rear panels – Control identification diagram

3-1 GENERAL

3-2 This section gives some general notes on the operation of the 8013B together with operating instructions for each of the operating modes:

NORM operating mode
RZ operating mode
EXT WIDTH operating mode

Full setting up instructions are given for normal internal trigger mode followed by any changes required in the control settings for the following modes. For ease of operation the instructions will refer to Figure 3-1 which shows the controls identified by a reference number in

a circle. The same reference numbers are used in the text when each control is mentioned. The control settings shown in Figure 3-1 are the same as the initial settings given for normal internal trigger mode.

3-3 OUTPUT FORMATS

3-4 The 8013B has two pulse outputs: one with positive (17) and one with negative (18) output polarity. The normal/complement output formats can be changed using the NORM/COMPL switch (19). Thus logic convention can be changed without having to re-adjust any of the pulse parameters.

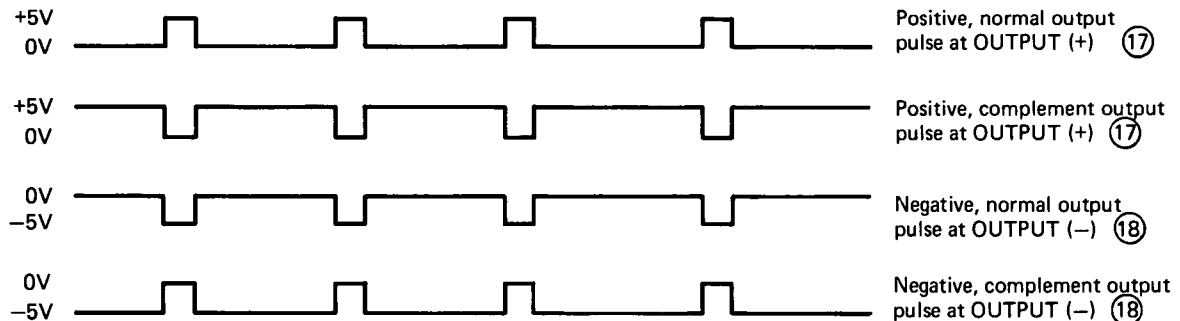


Figure 3-2. Normal/Complement Outputs

3-5 Normal/Complement pulse switching can be used to provide duty cycles of up to 100%.

Note, however, that the DC offset is automatically switched off when the INT LOAD is switched out.

3-6 INTERNAL 50 OHM LOAD

3-7 The internal 50 ohm load of the 8013B can be switched in or out using the INT LOAD switch (20). This makes impedance matching to the circuit under test much easier and also provides a maximum pulse amplitude of $\pm 10V$ with the load switched out.

3-8 CONTROL LAYOUT

3-9 The front panel of the 8013B has been carefully designed to provide a logical layout of the controls; horizontal controls for pulse timing parameters, vertical controls for pulse amplitude parameters. Thus a particular pulse can be set up extremely easily and quickly. Also, the pulse period, delay and width controls are designed in such a way that incompatible pulse settings will be noticed immediately (see Figure 3-3).

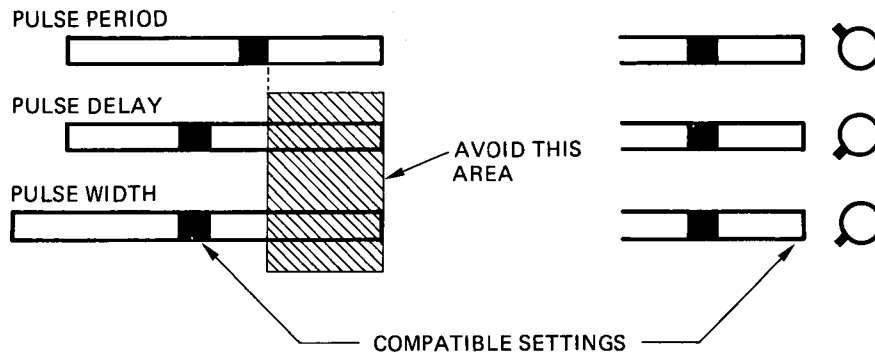


Figure 3-3. Positioning of Controls

3-10 Compatible pulse settings are guaranteed as long as the pulse delay and pulse width controls are either set to the left of the pulse period control or; if set vertically below the period control, that the delay and width verniers are set counter clockwise of the period vernier.

3-11 NORM OPERATING MODE

3-12 There are six ways of operating in the normal mode:

Internal trigger — the repetition rate is determined by the internal rate generator which is internally triggered.

External trigger — the rate generator is disabled and an external signal is used as the trigger source.

Manual trigger — one pulse is produced each time the MAN button is pressed.

Square wave — in each of the above modes a square wave output can be selected (pulse width = pulse period / 2) instead of the variable pulse width output.

Gating — Each of the outputs obtained above (except square wave) can be gated using an external input.

Double pulse — this mode can be selected with any of the above outputs (except square wave). Two pulses are produced for each trigger pulse.

All output pulses are preceded by a trigger pulse at the TRIGGER output connector (21). In square wave mode the delay between the trigger output and the pulse outputs is fixed at 25 ± 8 ns, but in other modes the delay can be varied using the PULSE DELAY (5) and VERNIER (6) controls.

3-13 Internal Trigger

3-14 In this mode the 8013B requires no external signal to produce an output signal. Rate, delay, width, amplitudes etc. are all adjustable from the front panel controls. The initial control settings (also shown in Figure 3-1) are given to assist someone unfamiliar with the operation of the 8013B. The positive and negative pulse outputs (17) and (18) and the TRIGGER OUTPUT (21) should be connected to an oscilloscope using a 50 ohm system (as shown in Figure 3-4). The oscilloscope (an HP 180C mainframe with 1801A and 1821A plug-ins) should be set with the sweep time at $20 \mu\text{s}/\text{div}$ and the sensitivity at $2\text{V}/\text{div}$.

- PULSE PERIOD ② .1m-10m
- VERNIER ③ CCW
- PULSE DOUBLE/NORM ④ NORM
- PULSE DELAY ⑤ 1μ-.1m
- VERNIER ⑥ CCW
- PULSE WIDTH ⑦ 1μ-.1m
- VERNIER ⑧ Center
- AMPLITUDE ⑨ 2.0-5.0
- VERNIER ⑩ CW
- OFFSET VERNIER ⑪ Center
- OFFSET SWITCH ⑫ ON
- AMPLITUDE ⑬ 2.0-5.0
- VERNIER ⑭ CW
- OFFSET VERNIER ⑮ Center
- OFFSET SWITCH ⑯ ON
- NORM/COMPL ⑰ NORM
- INT LOAD ⑱ IN
- Mode selector ⑳ NORM
- LINE ㉔ ON

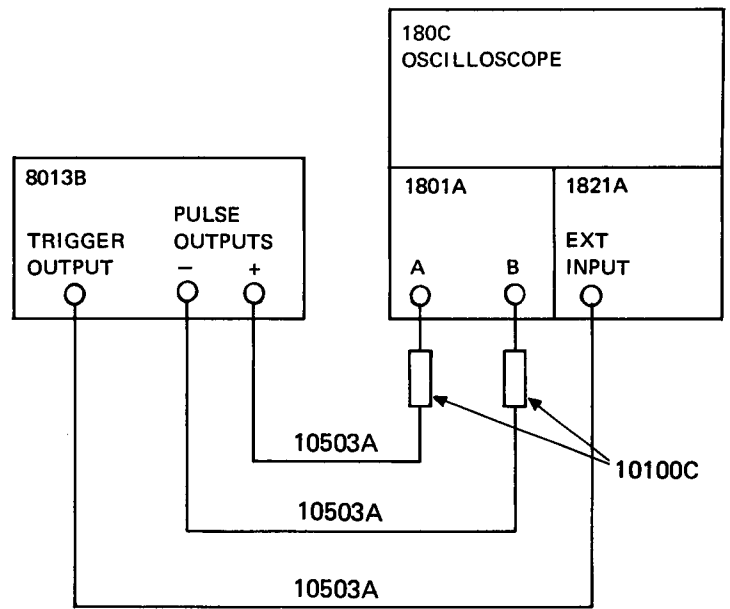


Figure 3-4. Initial control settings and test equipment

3-15 The circuits and controls involved in normal internal trigger mode are shown in Figure 3-5.

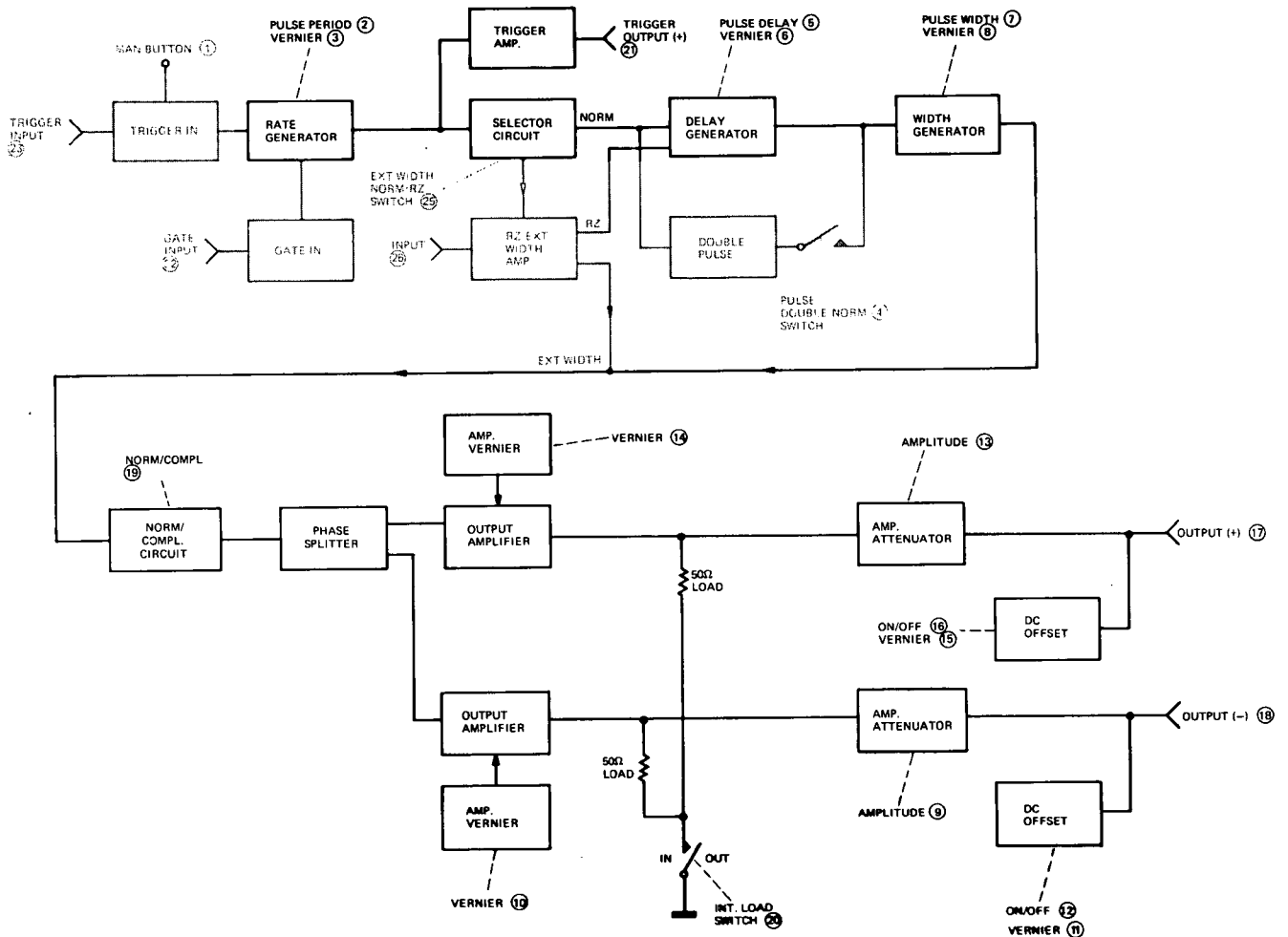


Figure 3-5. Normal internal trigger mode - block diagram

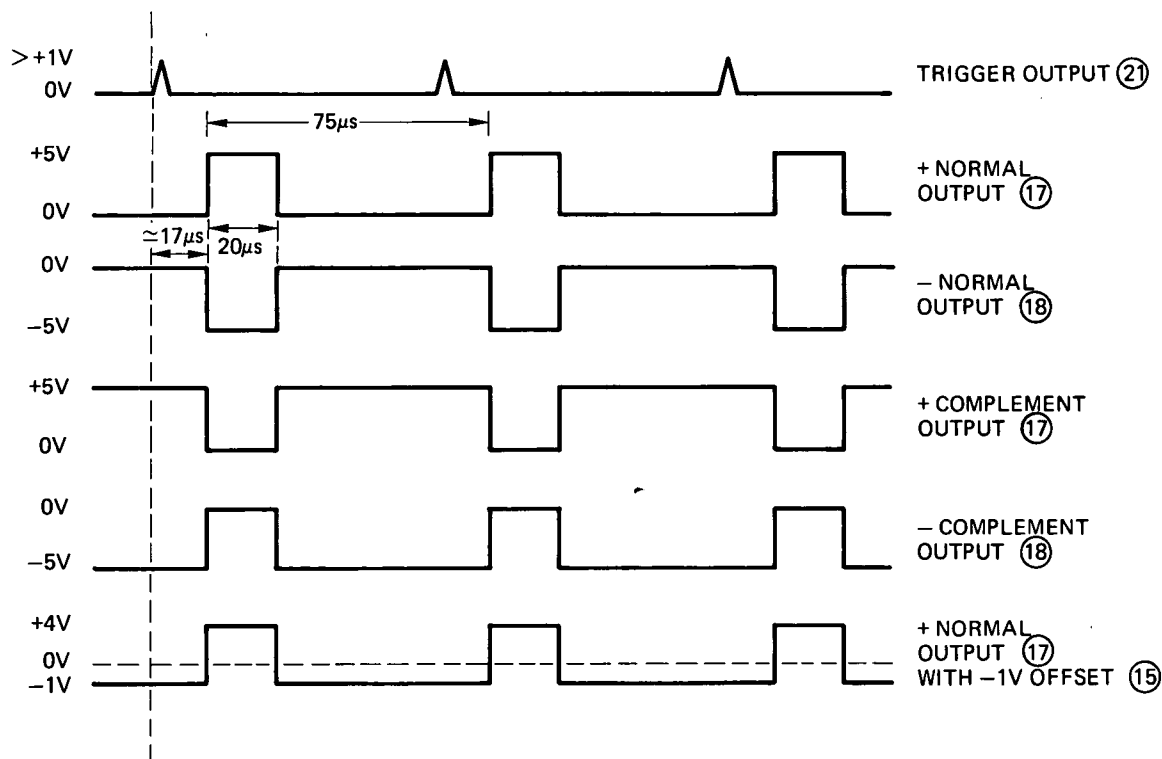


Figure 3-6. Output pulses in normal internal trigger mode

3-16 The output pulses should appear at the pulse OUTPUT (+) (17) and pulse OUTPUT (-) (18) as shown in Figure 3-6 according to the setting of the NORM/COMPL switch (19) and the OFFSET verniers (11) and (15).

3-17 If the INT LOAD switch (20) is set to OUT, the internal 50 ohm loads on each of the output amplifiers are switched out and the amplitude of the output pulses doubles (this can only be done if the 8013B has an external 50 ohm load). All other pulse parameters remain the same.

3-18 External Trigger

3-19 In this mode the repetition rate generator is disabled and each trigger pulse is produced by an

external signal which is applied at the TRIGGER INPUT connector (23). The input signal can be a sinewave of $> 1.7V$ p-p (about zero) or pulses $> 0.8V$ amplitude (positive or negative) and at least 7ns wide. The amplitude must not exceed $\pm 7V$.

a. Set the PULSE PERIOD control (2) to EXT (+) to trigger on the positive going slope of the input or to EXT(-) to trigger on the negative going slope.

b. The pulse delay, width, amplitude, etc. are determined by the front panel controls and can be left at the same settings as for normal internal trigger mode.

3-20 The circuits and controls involved in normal external trigger mode are shown in Figure 3-7.

- PULSE PERIOD ② .1m-10m
- VERNIER ③ CCW
- PULSE DOUBLE/NORM ④ NORM
- PULSE DELAY ⑤ 1μ-.1m
- VERNIER ⑥ CCW
- PULSE WIDTH ⑦ 1μ-.1m
- VERNIER ⑧ Center
- AMPLITUDE ⑨ 2.0-5.0
- VERNIER ⑩ CW
- OFFSET VERNIER ⑪ Center
- OFFSET SWITCH ⑫ ON
- AMPLITUDE ⑬ 2.0-5.0
- VERNIER ⑭ CW
- OFFSET VERNIER ⑮ Center
- OFFSET SWITCH ⑯ ON
- NORM/COMPL ⑰ NORM
- INT LOAD ⑱ IN
- Mode selector ⑳ NORM
- LINE ㉑ ON

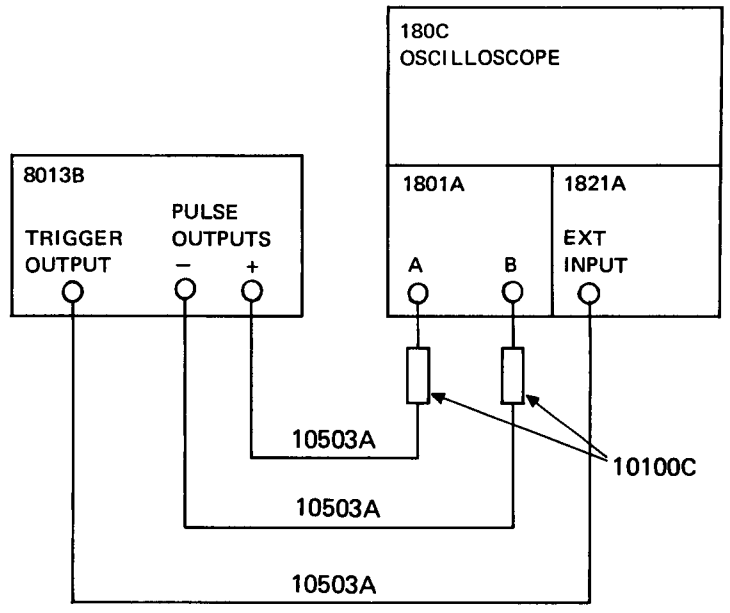


Figure 3-4. Initial control settings and test equipment

3-15 The circuits and controls involved in normal internal trigger mode are shown in Figure 3-5.

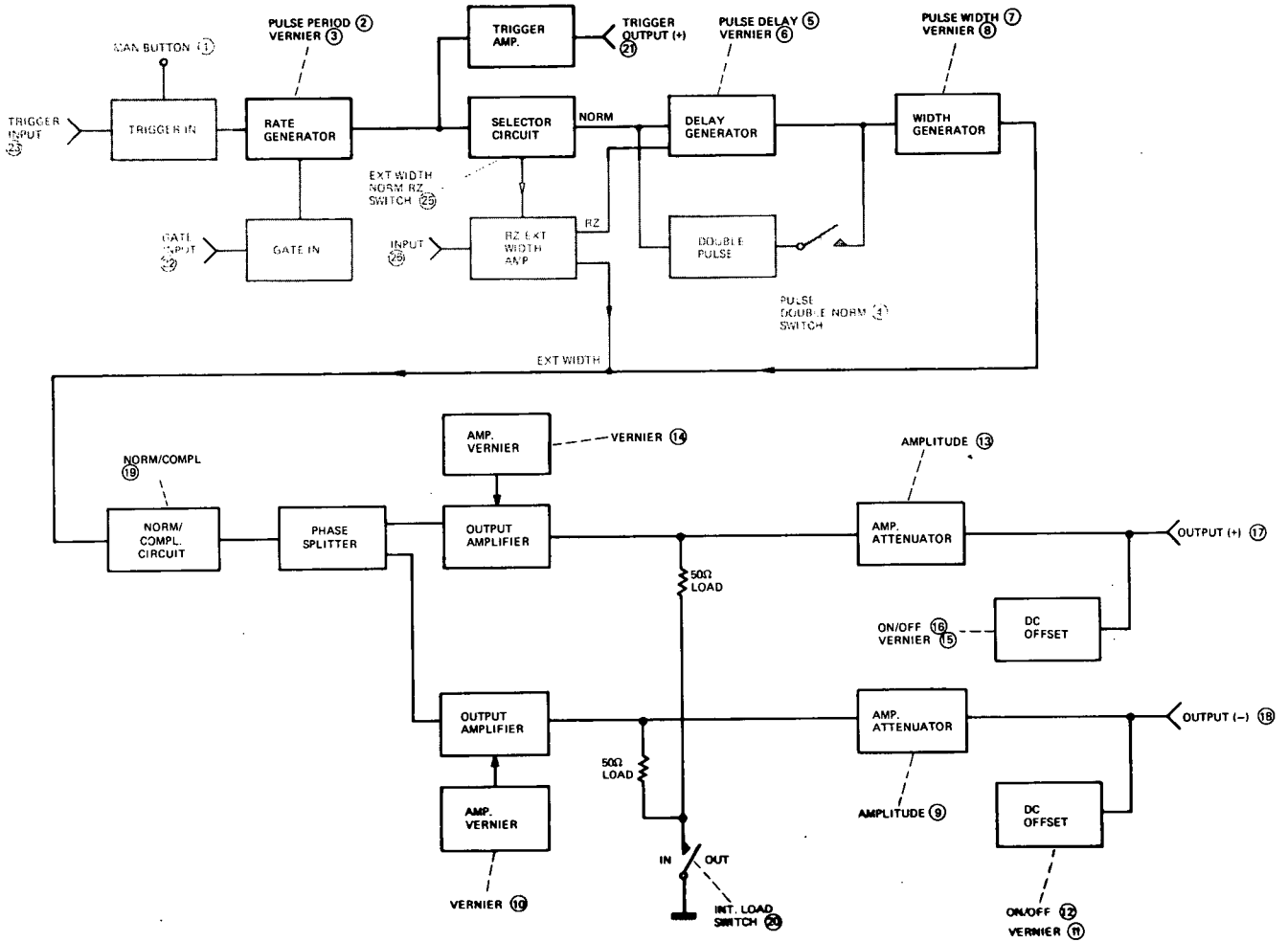


Figure 3-5. Normal internal trigger mode - block diagram

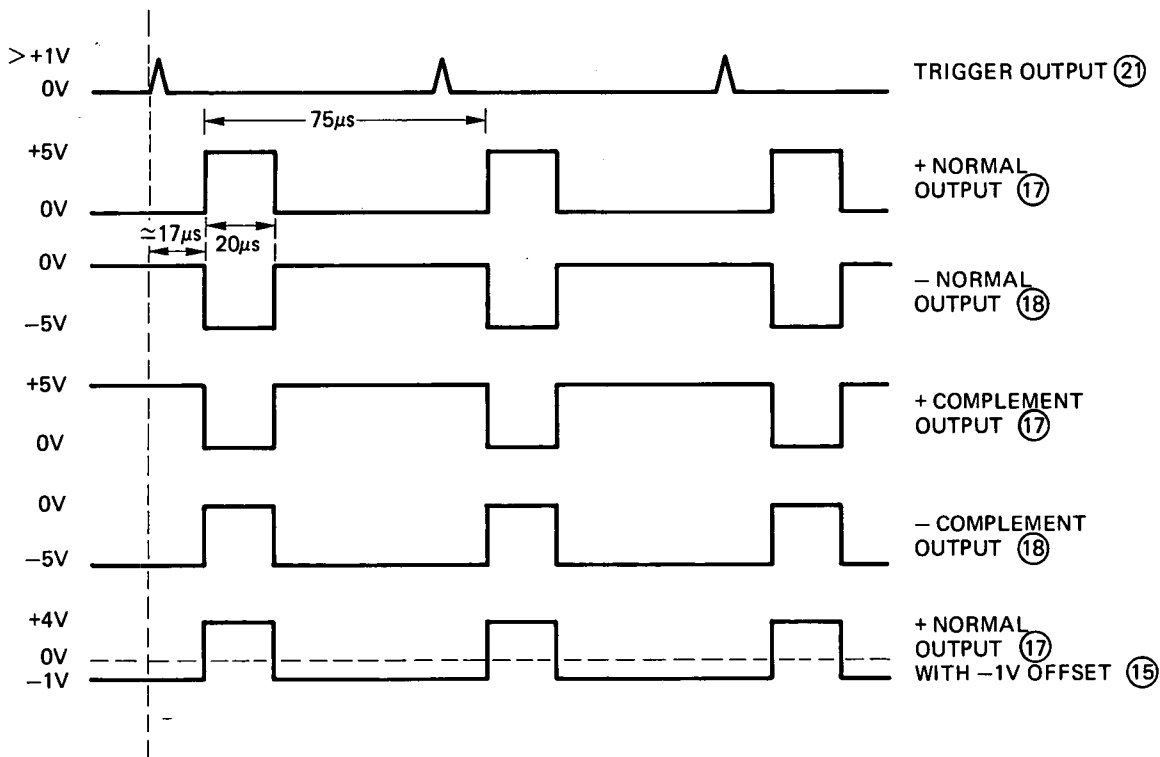


Figure 3-6. Output pulses in normal internal trigger mode

3-16 The output pulses should appear at the pulse OUTPUT (+) (17) and pulse OUTPUT (-) (18) as shown in Figure 3-6 according to the setting of the NORM/COMPL switch (19) and the OFFSET verniers (11) and (15).

3-17 If the INT LOAD switch (20) is set to OUT, the internal 50 ohm loads on each of the output amplifiers are switched out and the amplitude of the output pulses doubles (this can only be done if the 8013B has an external 50 ohm load). All other pulse parameters remain the same.

3-18 External Trigger

3-19 In this mode the repetition rate generator is disabled and each trigger pulse is produced by an

external signal which is applied at the TRIGGER INPUT connector (23). The input signal can be a sinewave of $> 1.7V$ p-p (about zero) or pulses $> 0.8V$ amplitude (positive or negative) and at least 7ns wide. The amplitude must not exceed $\pm 7V$.

a. Set the PULSE PERIOD control (2) to EXT (+) to trigger on the positive going slope of the input or to EXT(-) to trigger on the negative going slope.

b. The pulse delay, width, amplitude, etc. are determined by the front panel controls and can be left at the same settings as for normal internal trigger mode.

3-20 The circuits and controls involved in normal external trigger mode are shown in Figure 3-7.

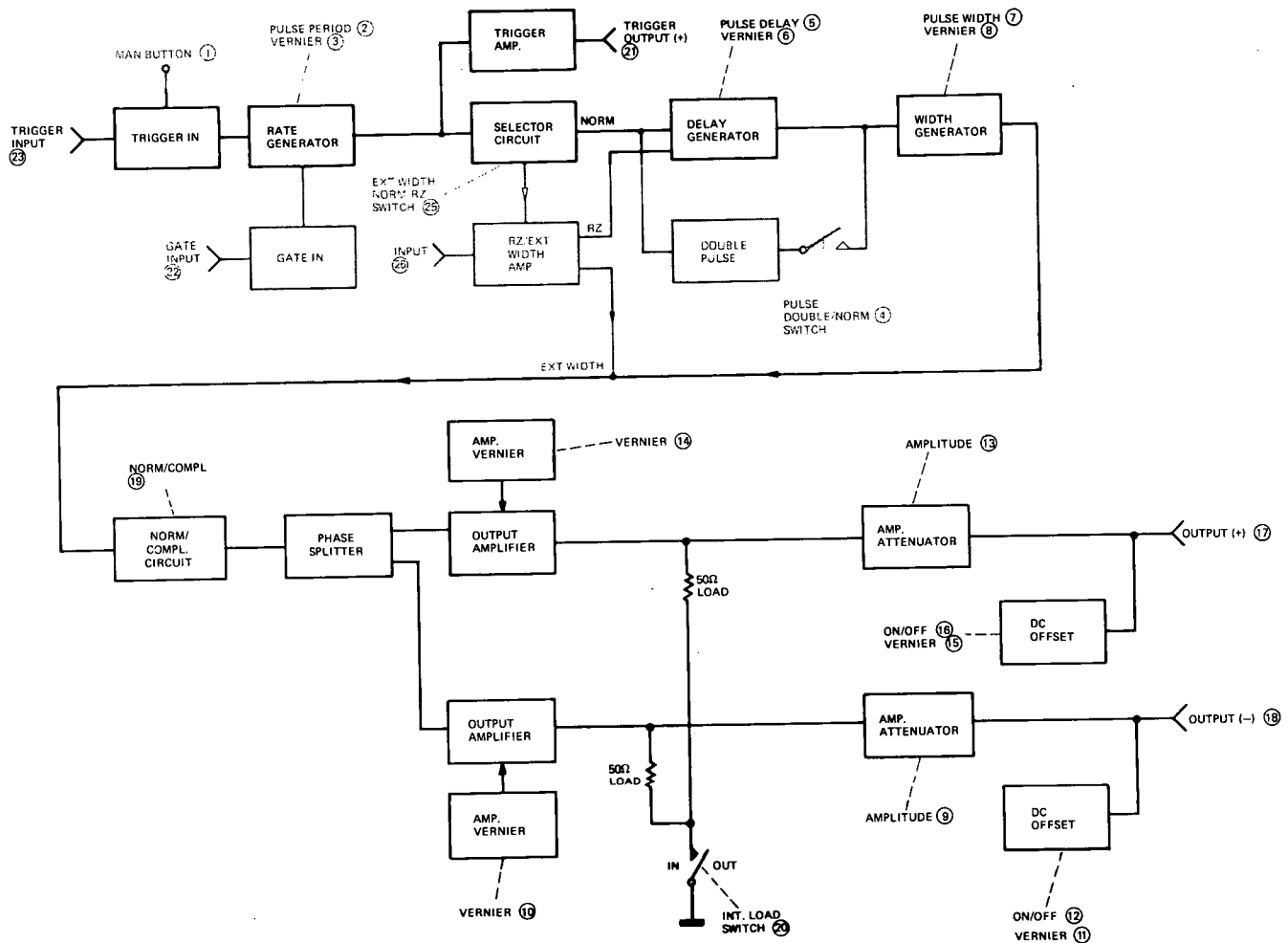


Figure 3-7. Normal external trigger mode – Block diagram

3-21 The output pulses should appear at the TRIGGER OUTPUT (21) and OUTPUT (+) (17) connectors as shown in Figure 3-8, according to the applied trigger and the setting of the PULSE PERIOD control (2) (either EXT+ or EXT-).

3-22 The output pulse parameters and formats can be varied using the controls shown in Figure 3-7.

3-23 Manual Trigger

3-24 In this mode the repetition rate generator is again disabled and each trigger pulse is produced by pressing the MAN button (1) once.

a. Set the PULSE PERIOD control (2) to either EXT(+) or EXT(-).

b. The pulse delay, width, amplitude etc. are determined by the front panel controls and can be left at the same settings as for normal internal trigger mode.

c. Press the MAN button (1) once for each output pulse.

3-25 The circuits and controls involved in normal manual trigger operation are shown in Figure 3-9.

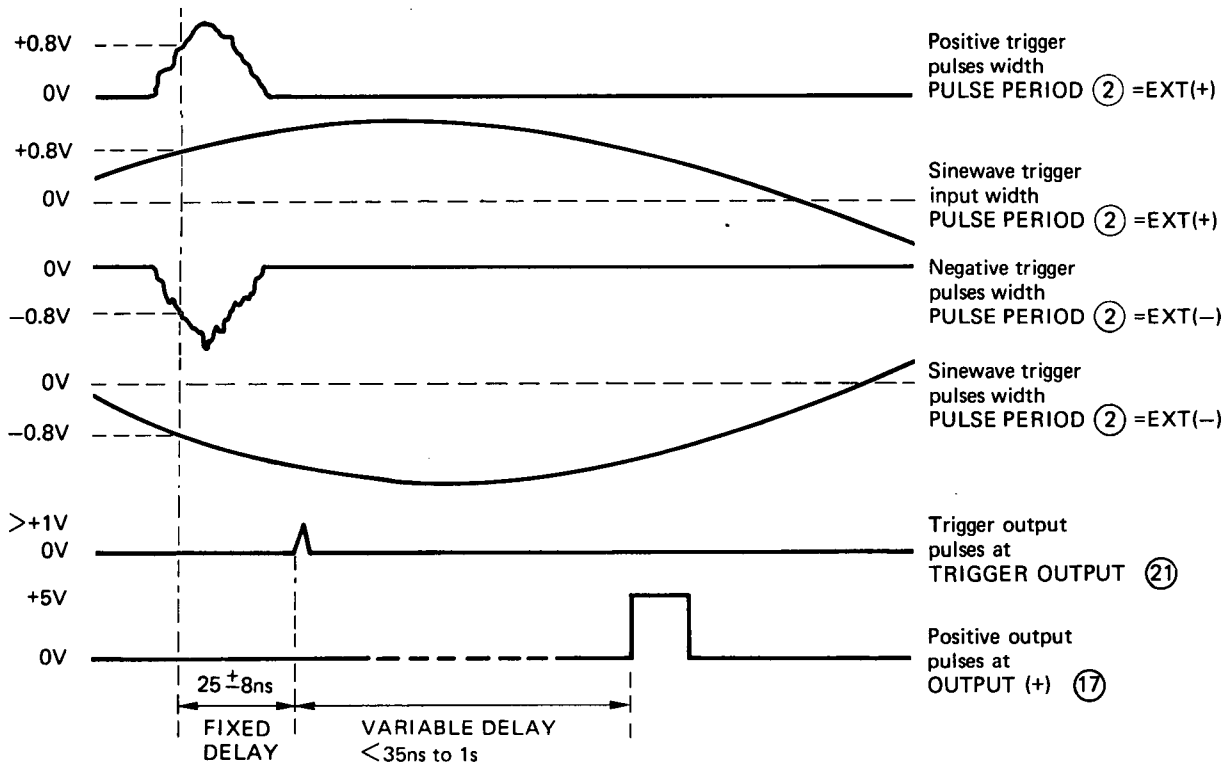


Figure 3-8. Output pulses in normal external trigger mode

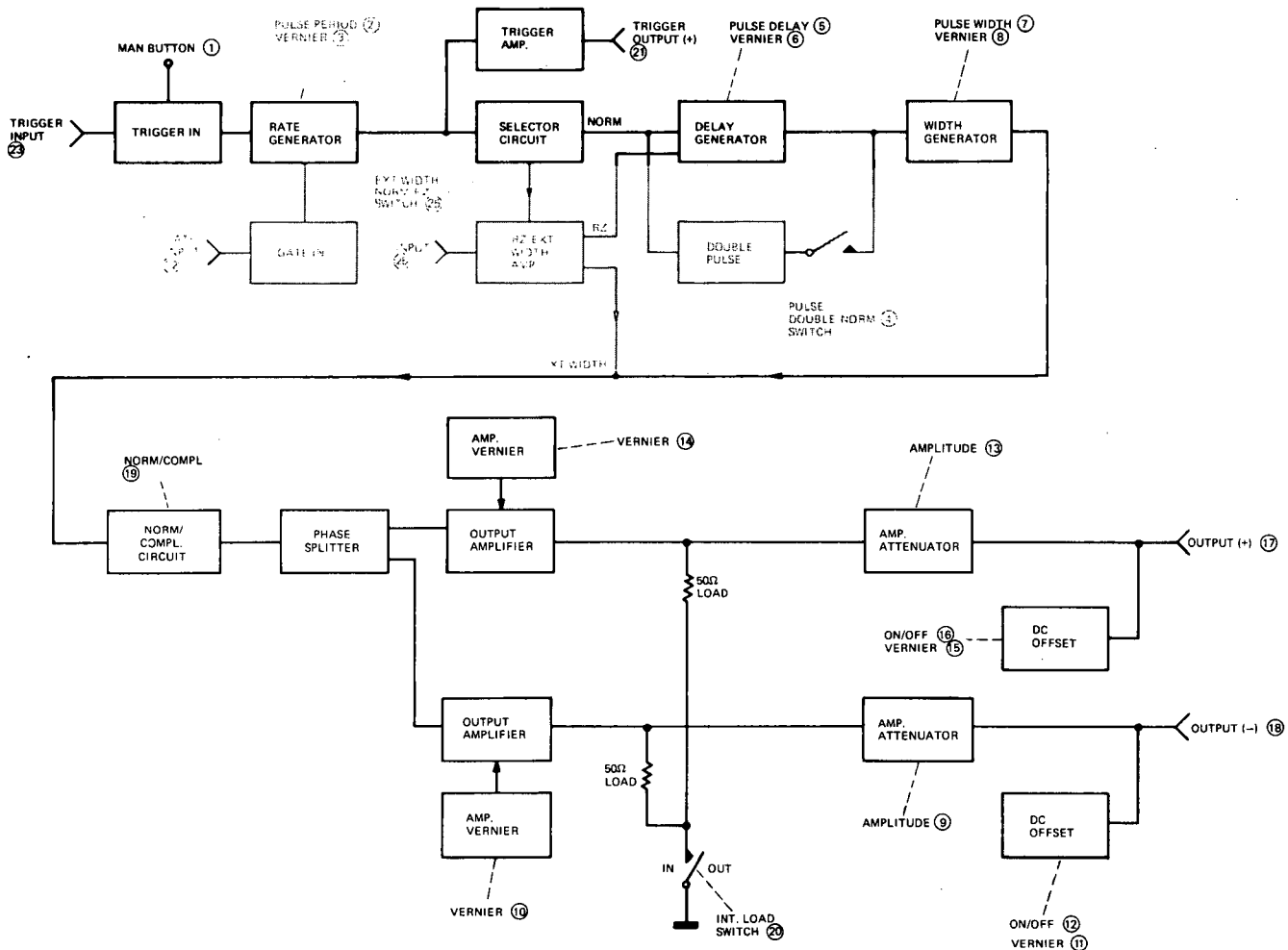


Figure 3-9. Normal manual trigger mode - block diagram

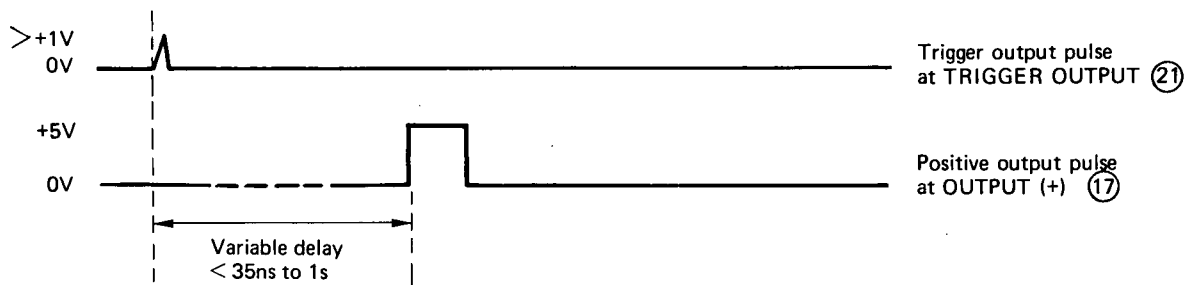


Figure 3-10. Output pulses in normal manual trigger mode

3-26 The output pulses should appear at the TRIGGER OUTPUT (21) and OUTPUT (+) (17) connectors as shown in Figure 3-10.

3-27 The output pulse parameters and formats can be varied using the controls shown in Figure 3-9.

3-28 Square Wave Mode

3-29 In this mode the pulse width is exactly half the pulse period (50% duty cycle). Pulse period, delay amplitude etc. can still be varied using the front panel controls. A square wave output can be selected in any of the preceding operating modes; the following points must, however, be remembered.

- a. Output pulse has 50% duty cycle.
- b. Output pulse rate is half that of the rate generator (or input trigger pulse).
- c. The delay between input trigger pulse and square wave output is fixed.

d. The output pulse is symmetrical above and below the offset level.

e. Square wave output cannot be gated.

3-30 The square wave output can be produced as follows:

a. Set the PULSE PERIOD control (2) to an internal range (as in normal internal trigger mode) or to EXT and apply external trigger pulses at the TRIGGER INPUT connector (23) in order to determine the repetition rate of the output pulses.

b. Set the PULSE WIDTH control (7) to SQUARE WAVE.

c. Set the amplitude etc. of the output pulses as for normal internal trigger mode.

3-31 The circuits and controls involved in square wave mode are shown in Figure 3-11.

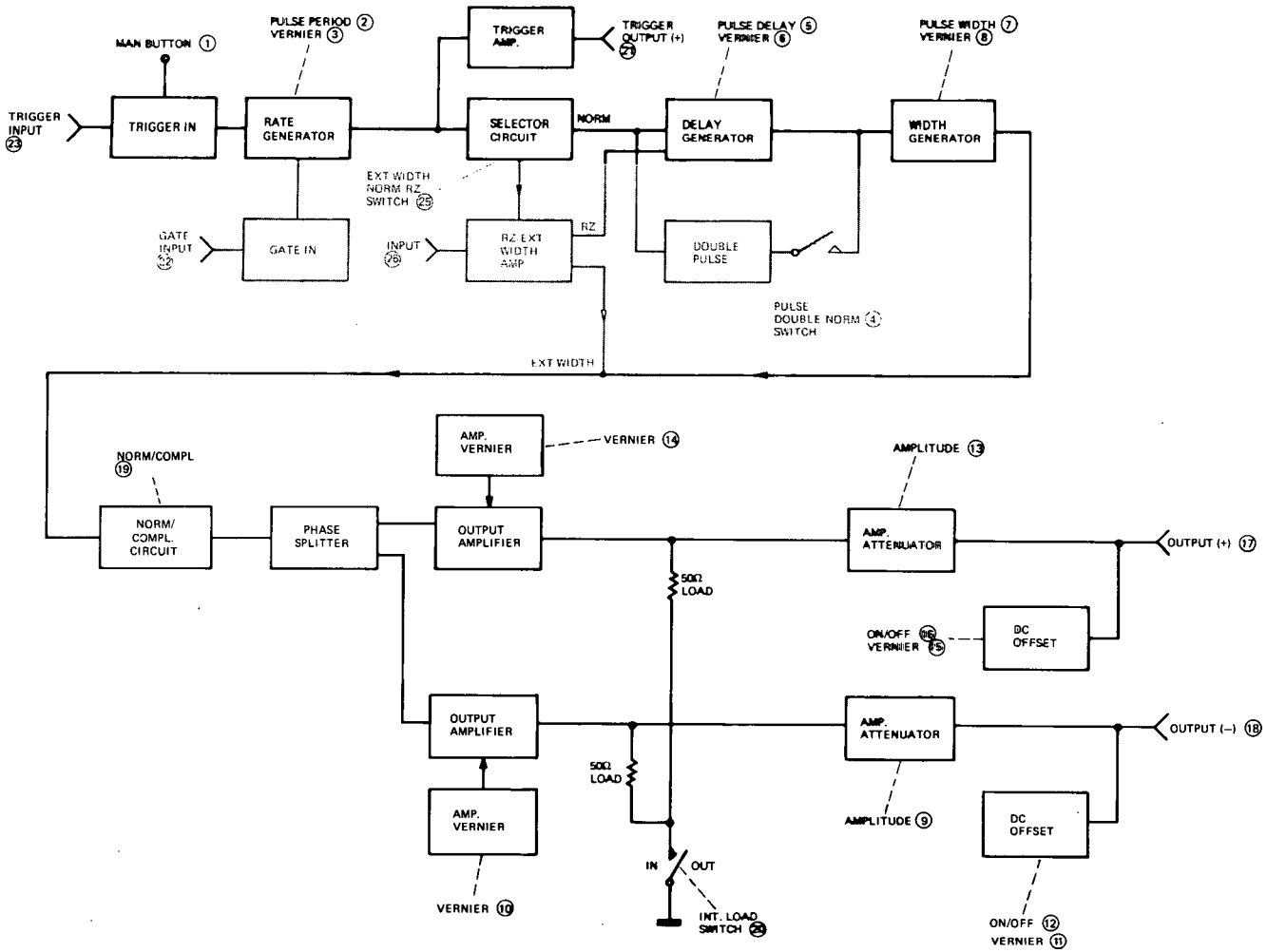


Figure 3-11. Normal square wave mode – block diagram

3-32 The output pulses should appear at the OUTPUT (+) connector (17) as shown in figure 3-12.

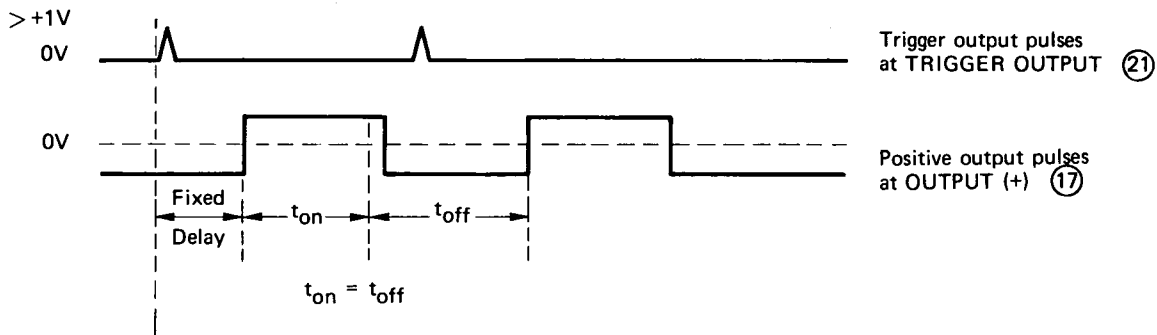


Figure 3-12. Output pulses in square wave mode

3-33 The output pulse can be switched to negative or normal or complement and the offset and amplitude can be varied.

to enable the rate generator – input voltage $> +1.5V$ or resistor $> 1K\Omega$ from gate input to ground.

3-34 Gating Mode

to disable the rate generator – input voltage $< +0.8V$ or resistor $< 160\Omega$ from gate input to ground.

3-35 The output pulses obtained in any of the preceding operating modes can be gated by applying an appropriate pulse to the GATE INPUT (22). If square wave mode is gated, the level of the pulse baseline after the gate has closed depends on the number of pulses during the gate 'on' time (see figure 3-15). The gate input must meet the following requirements:

The gate input is TTL compatible and the input voltage must not exceed $\pm 5V$.

3-36 The circuits and controls involved in gate mode are shown in Figure 3-13.

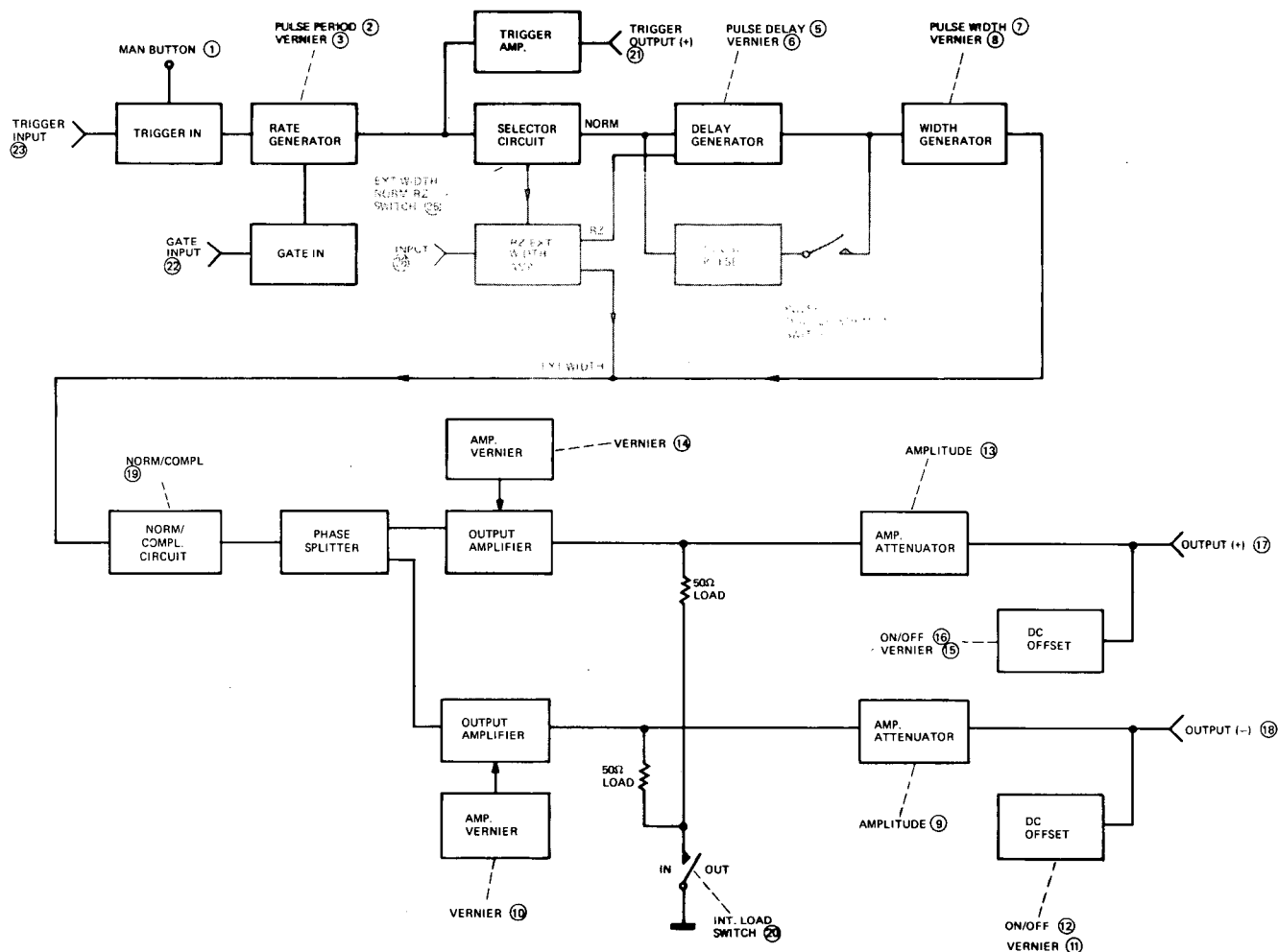


Figure 3-13. Normal gate mode – block diagram

3-37 The output pulses should appear at the TRIGGER OUTPUT (21) and OUTPUT (+) (17) connectors as shown in Figure 3-14.

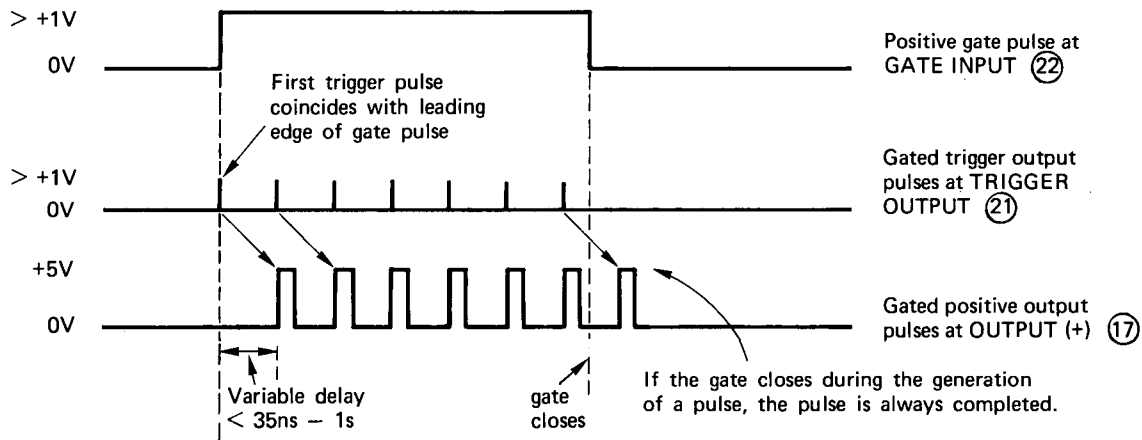
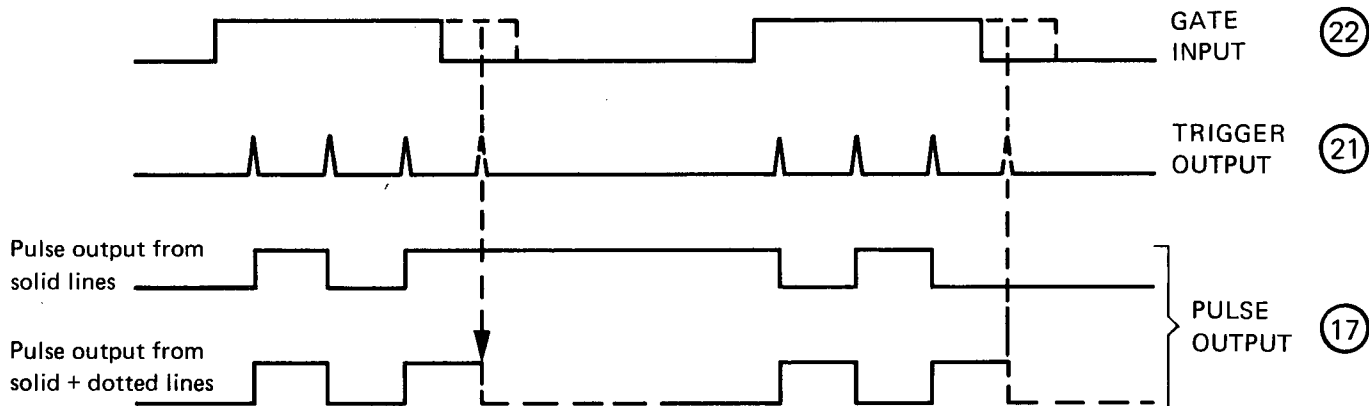


Figure 3-14. Output pulses in gate mode



Note that repetition rate is divided by 2.

Figure 3-15. Gated output in square wave mode

3-38 RZ MODE

3-39 In RZ mode external pulses, applied to the INPUT connector (26) on the 8013B rear panel, trigger the delay generator directly (see figure 3-16) and the shape of the output pulses is determined by the out-

put amplifiers. The output pulses cannot be gated and are independent of the pulses at the TRIGGER OUTPUT connector (21).

3-40 The circuits and controls involved in RZ mode are shown in figure 3-16.

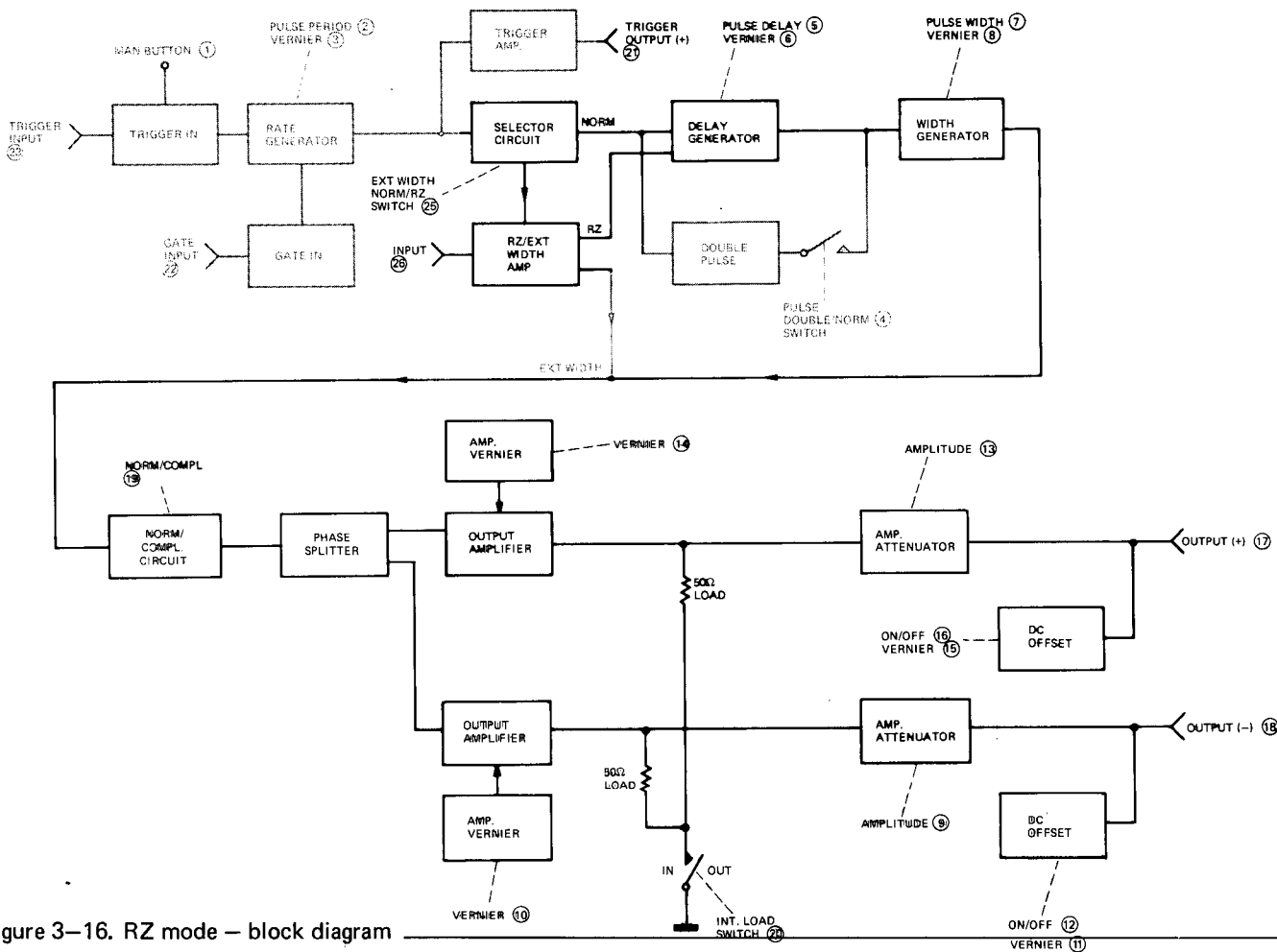


Figure 3-16. RZ mode - block diagram

3-41 The RZ input signal must be $> +1V$ to a maximum of $\pm 5V$ in amplitude and must be at least 7ns wide.

3-42 The procedure for obtaining an output in RZ mode is as follows:

- b. Set the Mode Selector switch (25) to RZ.
- c. Set the pulse delay, width, amplitude, offset and output format as required.

a. Connect the external signal to the INPUT connector (26) on the rear panel of the 8013B.

3-43 The output pulses should appear at the OUTPUT (+) connector (17) as shown in Figure 3-17.

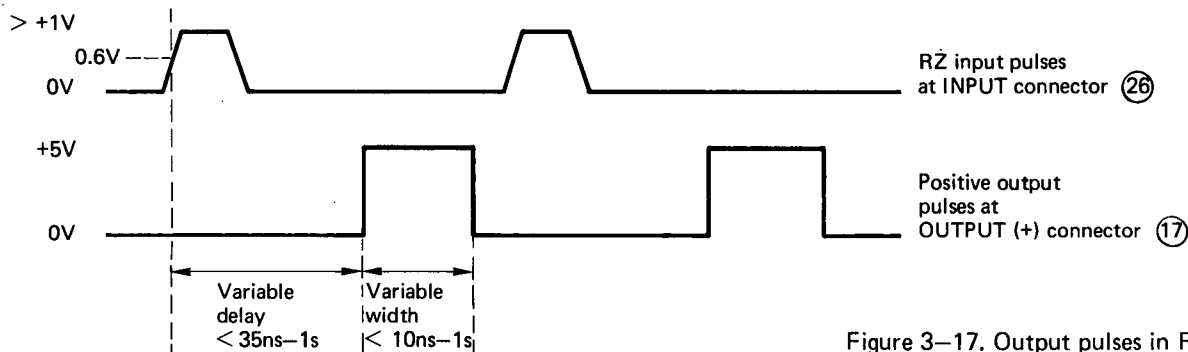


Figure 3-17. Output pulses in RZ mode

3-44 DOUBLE PULSE Mode

3-45 In this mode, the 8013B delivers two output pulses for each trigger pulse. One pulse is in phase with the TRIGGER OUTPUT (21); the other pulse is delayed by the time set on the PULSE DELAY controls (5) and (6).

3-46 Double pulse output can be selected in any of the preceding operating modes except square wave. Double pulse output is produced as follows:

a. Set the PULSE DOUBLE/NORM switch (4) to DOUBLE.

b. The remaining pulse parameters and output format can be set as required.

3-47 The circuits and controls involved in double pulse mode are shown in Figure 3-18.

3-48 The trigger and output pulses should appear at the TRIGGER OUTPUT (21) and OUTPUT (+) (17) connectors as shown in Figure 3-19.

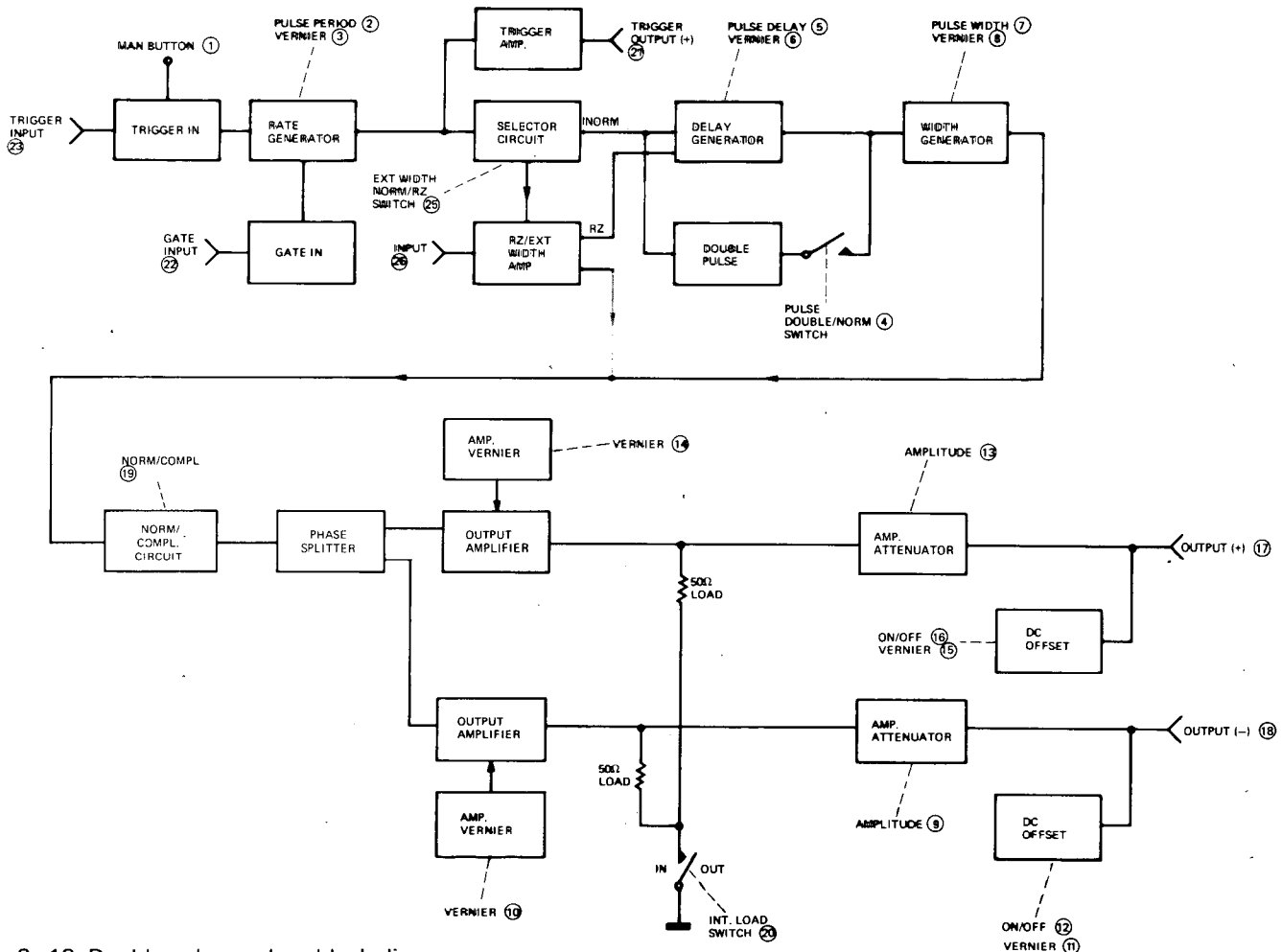


Figure 3-18. Double pulse mode - block diagram

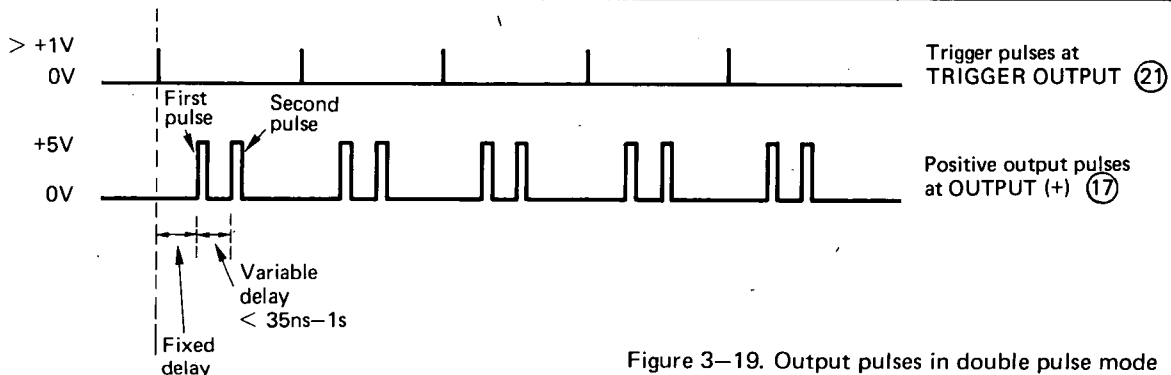


Figure 3-19. Output pulses in double pulse mode

3-49 EXTERNAL WIDTH MODE

3-50 In this mode, external pulses, applied to the INPUT connector (26) on the rear panel, are routed directly to the output amplifiers which are caused to change state at the threshold level of the input signal. Thus the pulse output is a shaped version of the input. It is also independent of the TRIGGER OUTPUT (21).

The external width input signal must be $> +1V$ to a maximum of $\pm 5V$ in amplitude and must be at least 7ns wide.

3-51 The circuits and controls involved in external width mode are shown in Figure 3-20.

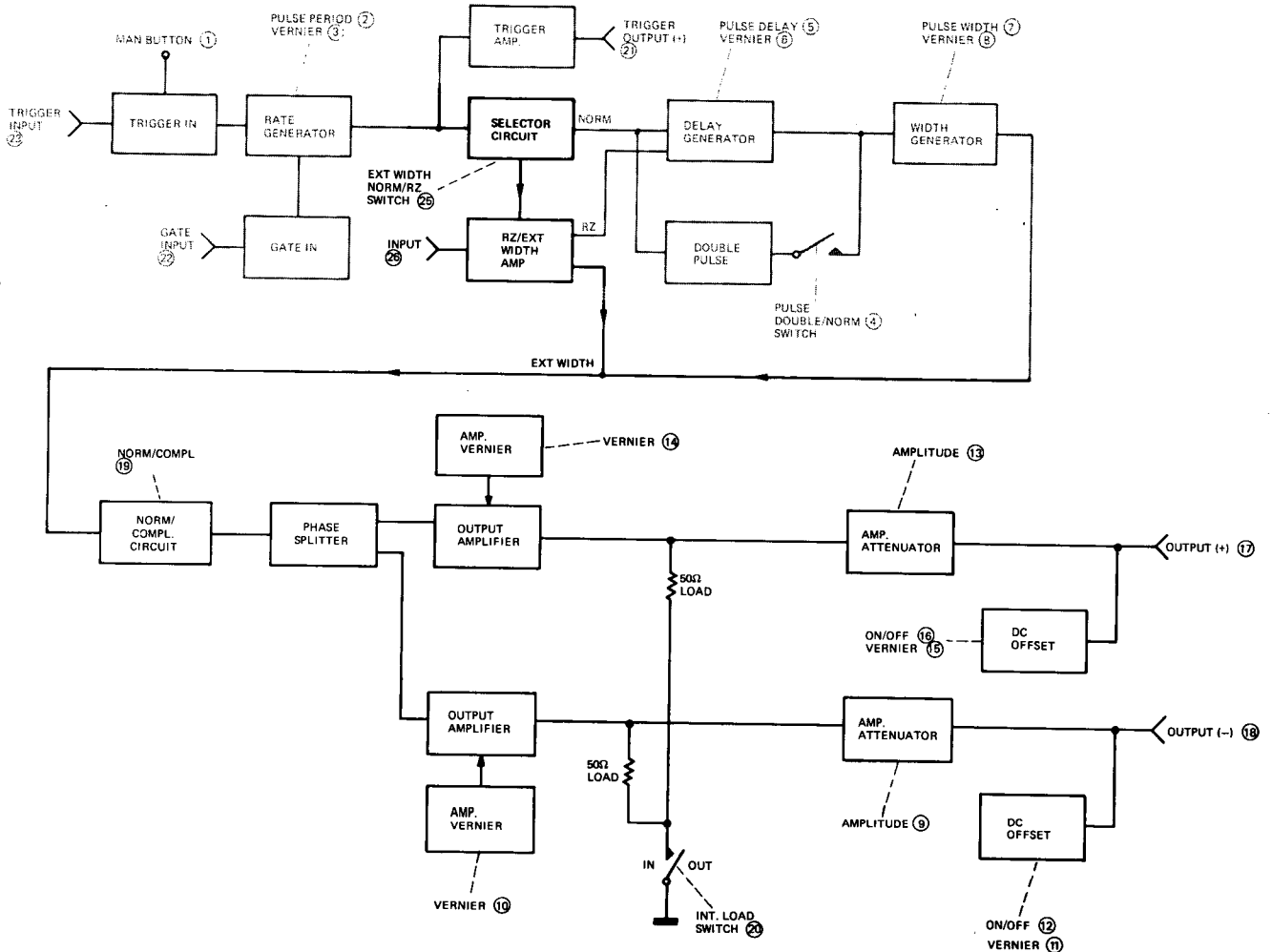


Figure 3-20. External Width mode - block diagram

3-52 The procedure for obtaining an output in external width mode is as follows:

- Connect the external signal to the INPUT connector (26) on the rear panel of the 8013B.
- Set the Mode Selector switch (25) to EXT WIDTH.

c. Set the pulse amplitude and output format as required.

3-53 The output pulses should appear at the OUTPUT (+) connector (17) as shown in Figure 3-21.

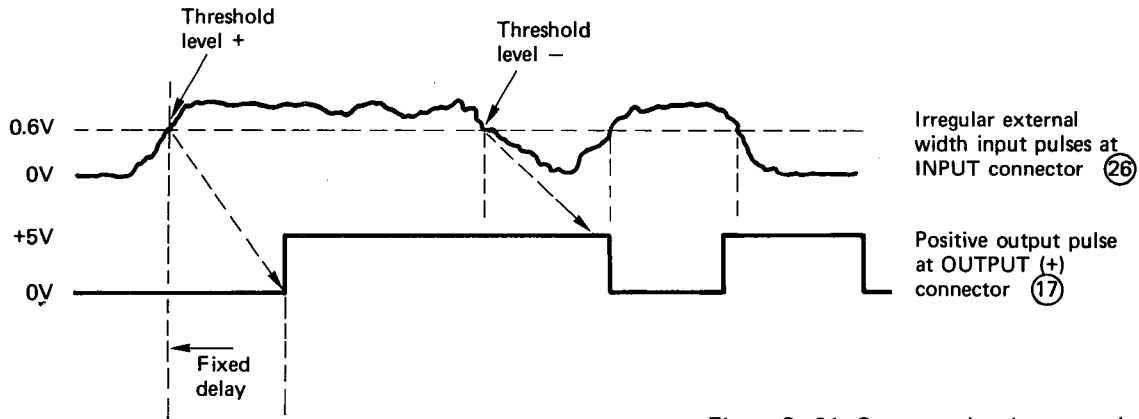


Figure 3-21. Output pulses in external width mode

3-54 ADDITIONAL FACILITIES IN RZ AND EXT WIDTH MODES

3-55 When operating in RZ or EXT WIDTH modes, the internal rate generator is available as an independent clock generator which provides an output at the TRIGGER OUTPUT connector (21). This output

can be triggered internally, externally or manually and can also be gated as in the normal operating mode. If this facility is not required, it can be switched off by setting the PULSE PERIOD control (2) to EXT and disconnecting the TRIGGER INPUT (23). The circuits and controls involved in this facility are shown in Figure 3-22.

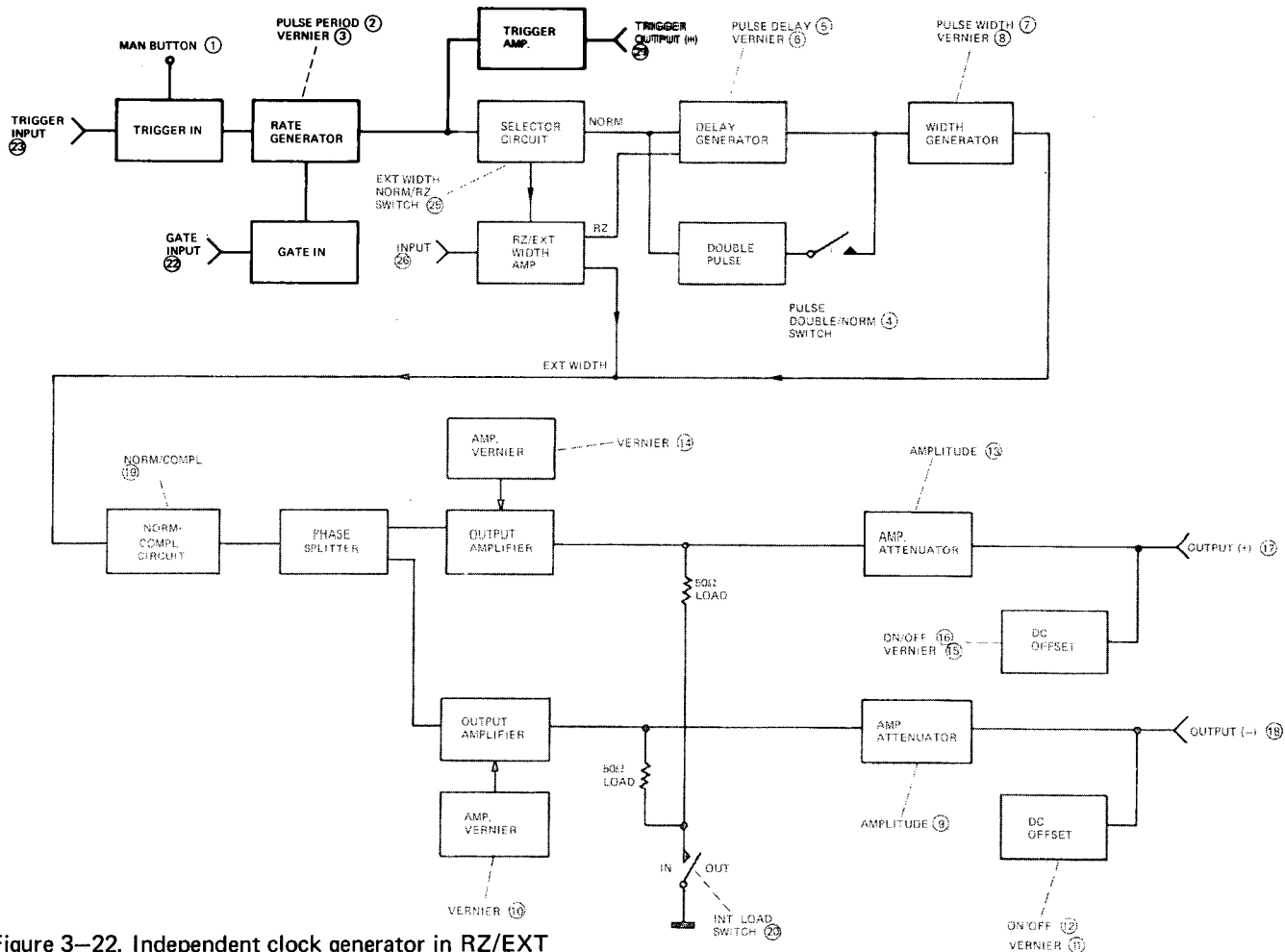


Figure 3-22. Independent clock generator in RZ/EXT WIDTH modes - block diagram

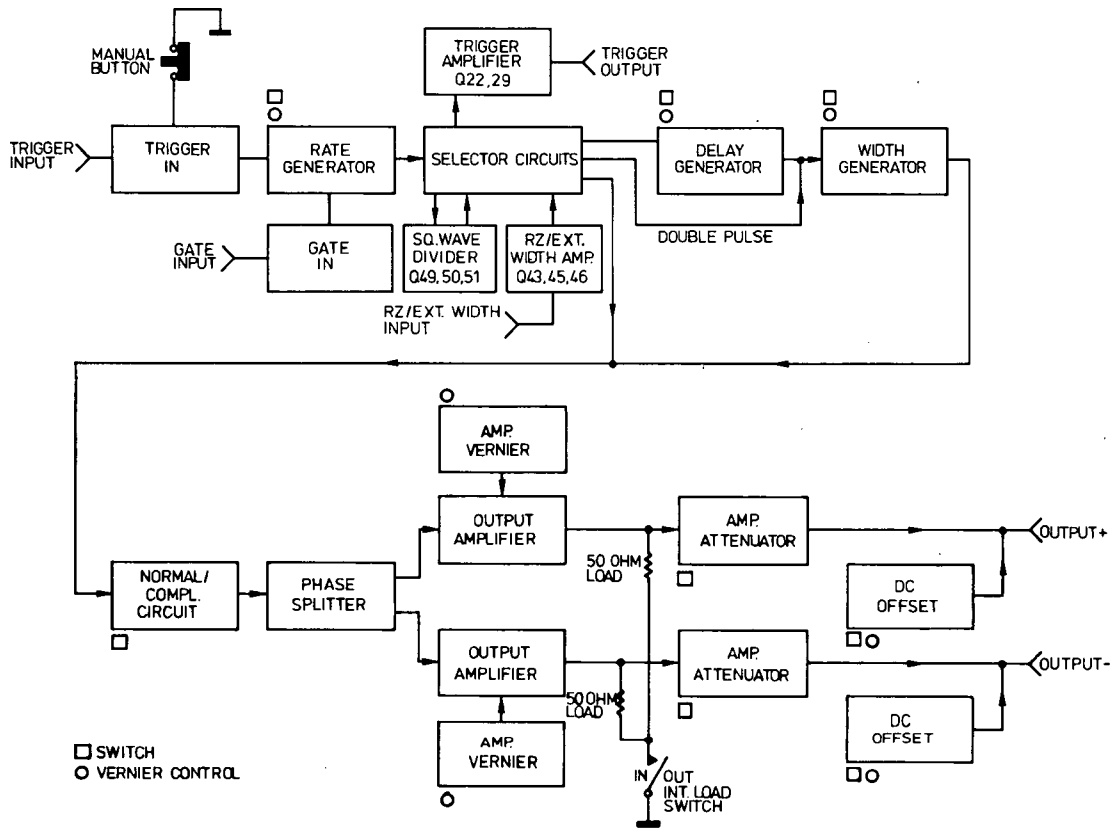


Figure 4-1. 8013B Pulse Generator – Block Diagram

4-1 INTRODUCTION

4-2 A basic block diagram of the 8013B is shown in Figure 4-1 and this diagram should be referred to when reading the following description. The pulse repetition rate is generated either internally by the rate generator, manually using a push-button, or externally by an applied signal. The pulses produced can be gated synchronously by applying an external gating signal to the gate input. The output of the rate generator is fed to the selector circuits and to the trigger amplifier to produce a trigger output.

4-3 The 8013B can be used in one of three modes of operation; Normal mode, RZ mode and External Width mode. In Normal mode the pulses are generated as described above; In RZ mode external signals, applied directly to the delay generator, determine the repetition rate of the output pulses; In External Width mode external signals, applied to the Normal/Complement circuit, determine the width and repetition rate of the output pulses. The mode switching is accomplished by the selector circuits.

4-4 The output of the selector circuits, in Normal and RZ modes is applied to the delay generator which delays the pulses by the amount set on the delay controls.

4-5 In double pulse mode two pulses are produced for each trigger pulse; the normal delayed pulse plus an extra pulse that by-passes the delay generator and is thus not delayed.

4-6 The pulse spikes from the delay generator are applied to the width generator where pulses of defined width are created.

4-7 The output of the width generator or, in External Width mode, the external input signal is applied to a pulse shaper where two complementary signals are generated. These two signals are then applied to the normal/complement circuit.

4-8 The signals are then applied to two variable gain output amplifiers and attenuators. Finally the variable DC offset is added.

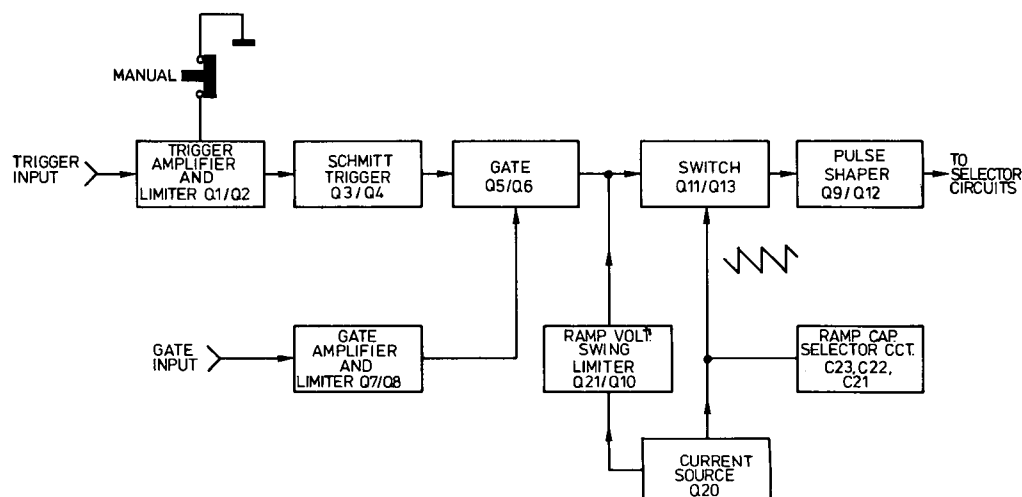


Figure 4-2. Repetition rate generator — block diagram

4-9 REPETITION RATE GENERATOR

4-10 A block diagram of the repetition rate generator is given in figure 4-2 and a full schematic in diagram 1. These diagrams should be referred to when reading the following description.

- 4-11 The pulse repetition rate is determined;
- by the internal rate generator
 - externally using an applied signal
 - manually using a pushbutton.

4-12 Internal Rate Generator

4-13 When the internal rate generator is used, one of four period ranges is selected using the period range switch. In the three slower ranges, ramp capacitors (C23, C22, C21) are selected to provide the required repetition rate, transistors Q17, Q18 and Q19 switch these capacitors in or out. In the fastest range, no ramp capacitor is switched in; the time is determined by preset capacitor C24. In operation the selected capacitor discharges through constant current sink Q20 controlled by the pulse period vernier R1 and the value of the capacitor.

As the voltage at Q20 collector approaches zero, CR17 becomes forward biased causing Q11 and Q13 to conduct and rapidly recharge the capacitor. The pulse period vernier controls Q21 and Q10 which act as a voltage swing limiter and determine the upper voltage limit to which the ramp capacitor can recharge. When the capacitor has recharged to this limit, Q13 and Q11 cut off thus allowing the discharge cycle to resume. The output from Q11 is applied, via the differentiator network Q28/L3/R35, to the delay generator and the trigger output amplifier.

4-14 External Trigger Operation

4-15 In external trigger mode the rate generator is used as a pulse shaper. Trigger pulses are applied to the differential amplifier Q1/Q2 which in turn switches the Schmitt trigger formed by Q3/Q4. The negative output spikes from the collector of Q4 turn Q5 on and Q13 base rises so that Q13 and Q11 turn on to produce an output pulse.

4-16 Manual Operation

4-17 When the Manual pushbutton is pressed, a negative spike is produced at the collector of Q4 which enables the current switch Q11/Q13. One pulse is produced from Q11 each time the Manual pushbutton is pressed.

4-18 GATING

4-19 Gate signals are applied to the gate amplifier Q8/Q7. Q8, normally 'off' is turned on by the 0V level (off time) of the gate input pulse. Thus Q6 is turned on, the current through Q6 lowers the base voltage of Q13 and so disables the rate generator. When the level of the gate input pulse reaches +1.8V (on time) Q8 turns on and enables the pulse source. Thus output pulses will be produced from the rate generator only during the gate input pulse 'on' time.

4-20 SELECTOR CIRCUITS

4-21 A block diagram of the selector circuits is given in figure 4-3 and is repeated for each mode of operation showing the signal paths used. Figure 4-1, 4-3 and the schematic diagram 2 should be referred to when reading the following description.

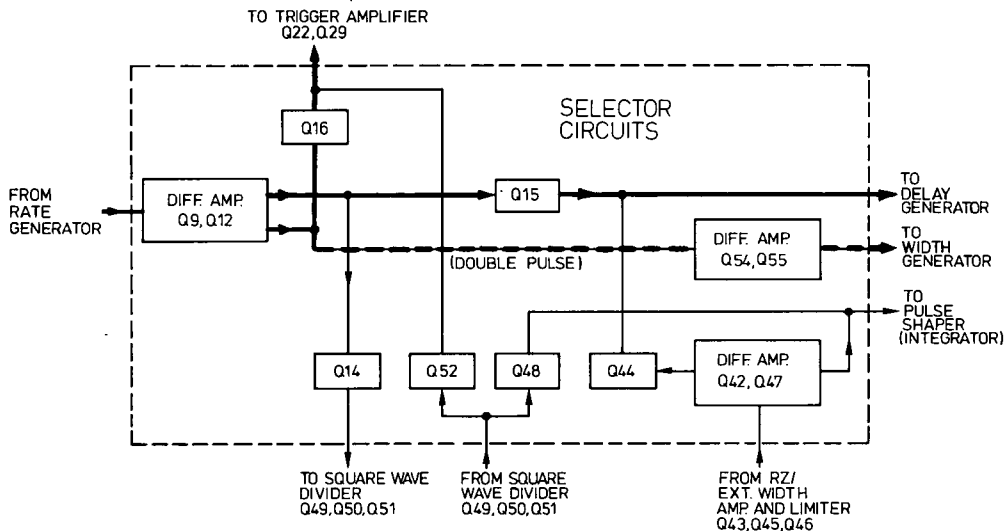


Figure 4-3a. Normal mode (including external trigger and rate mode).

4-22 In Normal mode, the rate generator output is applied to the delay generator via Q15 and to the trigger amplifier via Q16. If double pulse mode is selected, the pulse is also applied to the width generator via differential amplifier Q54/Q55 (see schematic 3).

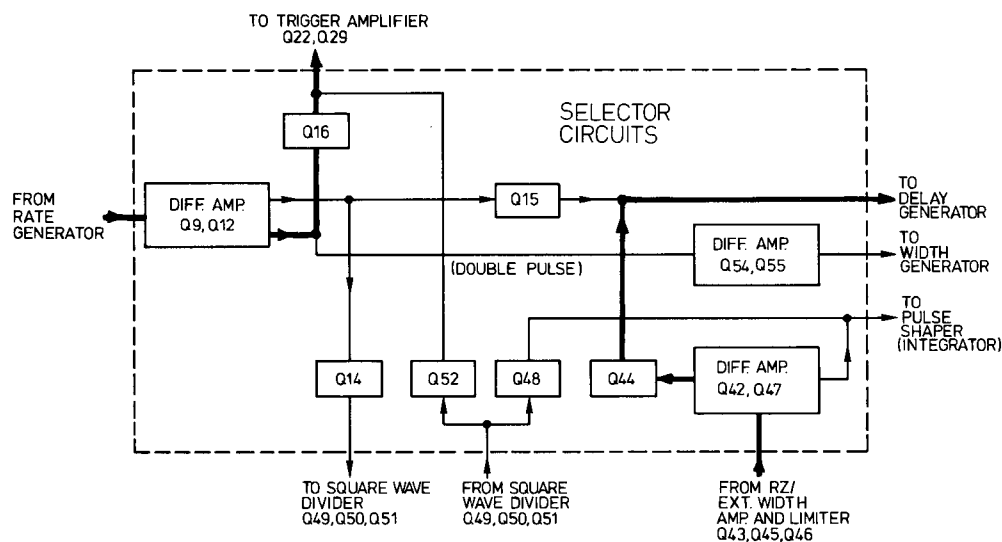


Figure 4-3b. RZ mode

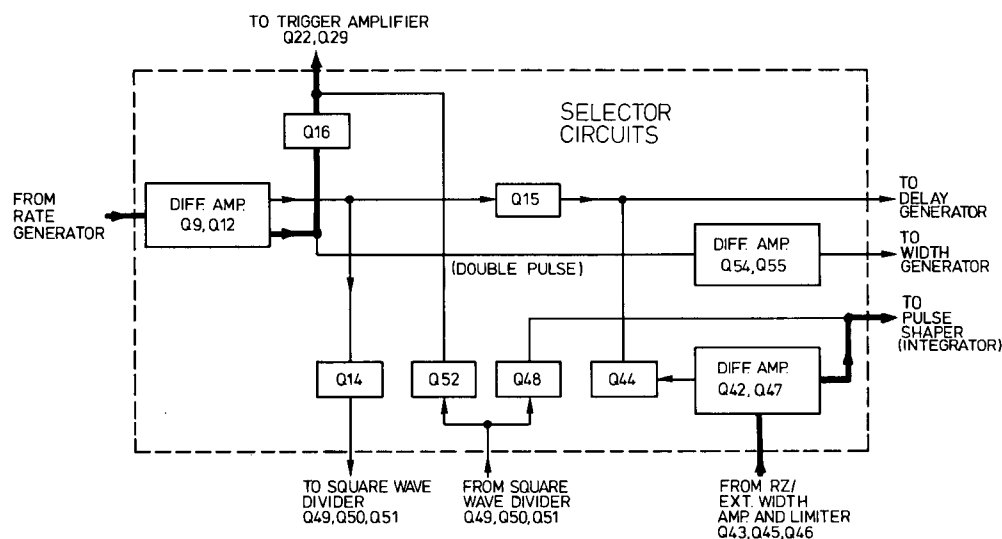


Figure 4-3c. Ext. Width mode

4-23 In RZ mode the rate generator output is only used to generate trigger pulses, via Q16. The RZ input is applied, via Q43, Q46, Q45 to the differential amplifier Q42/Q47 and gate Q44, to the delay generator.

4-24 In Ext. Width mode the rate generator output is only used to generate trigger pulses, via Q16. The Ext. Width input is applied, via Q43, Q46, Q45 to the differential amplifier Q42/Q47 to pulse shaper 3 and the integrator.

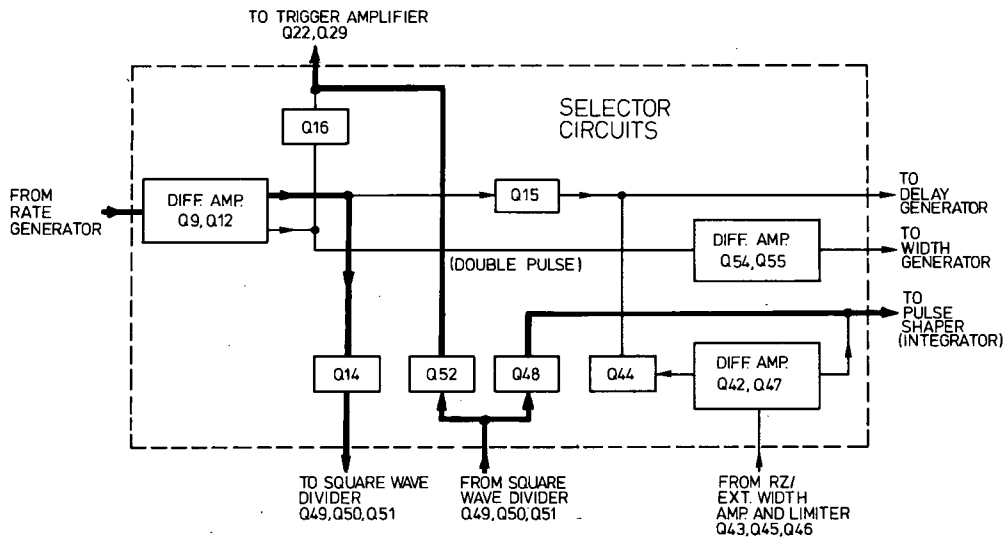


Figure 4-3d. Square wave mode

4-25 In Square wave mode the output of the rate generator is applied, via Q14, to the square wave divider. The output of the divider is applied to the trigger amplifier, via Q52, and pulse shaper 3 and the integrator, via Q48.

4-28 The purpose of the delay generator is to delay the pulse source, whether from the internal rate generator, external trigger or from the RZ input, within the range of 35ns to 1s, with respect to the trigger output.

4-26 DELAY GENERATOR

4-27 A block diagram of the delay generator is given in figure 4-4 and a full schematic in diagram 3. These diagrams should be referred to when reading the following description.

4-29 The current source (Q23), the monostable (Q30/Q31) and the recharge circuit (Q26) are controlled by the width switch so that the delay circuit is inhibited in square wave and external width modes.

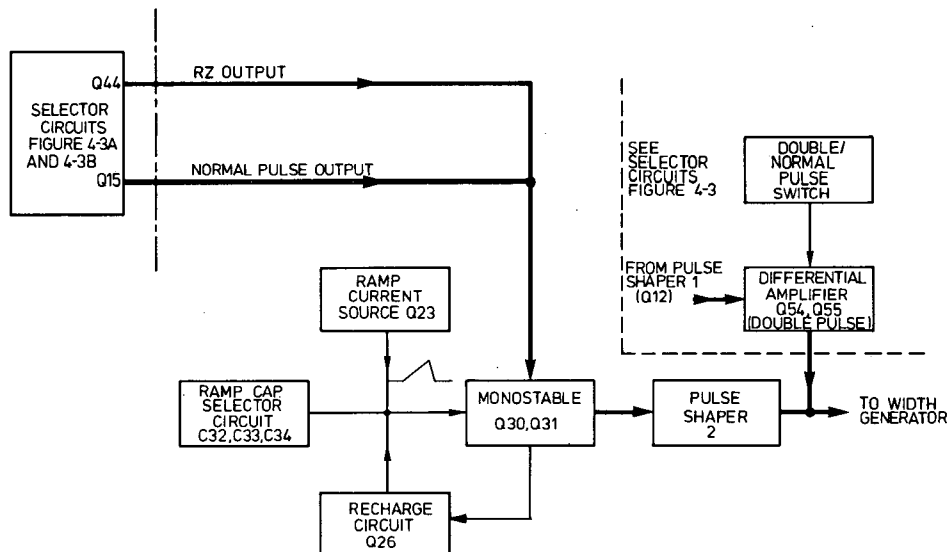


Figure 4-4. Delay generator - block diagram

4-30 Under no-signal conditions, Q31 is off, Q30 is on and Q26 is acting as a sink for the ramp current. Thus the ramp current source (Q23) cannot charge the ramp capacitors. A positive pulse input signal turns Q31 on and Q30 off, Q26 follows Q30 collector and thus is non-conducting. The selected ramp capacitor is charged by the current source Q23 until a level is reached when Q30 turns on again, which

turns Q31 off. Q26 now conducts again and rapidly discharges the selected ramp capacitor. The output from the monostable is a negative spike, coincident with the pulse input, followed by a positive spike which occurs some time later and is used to drive pulse shaper 2. The time between the pairs of spikes is the time taken for the ramp waveform to reach the threshold level of the monostable (Q30/Q31), i.e. the delay time.

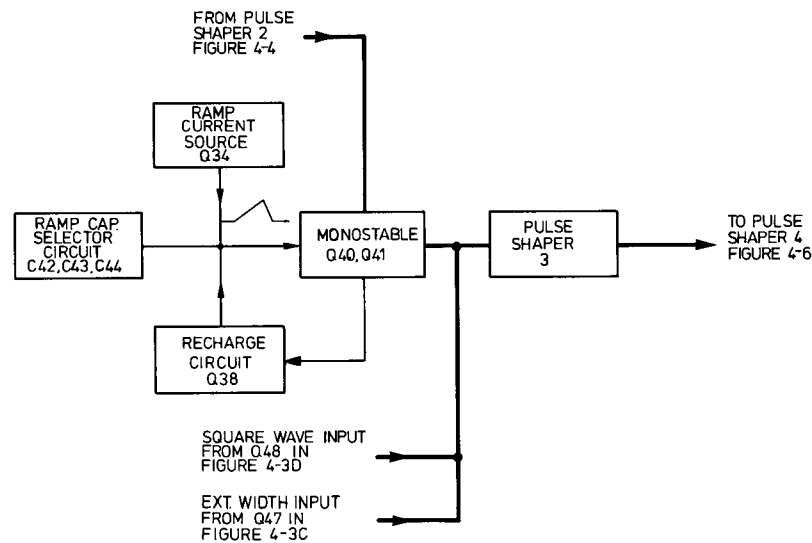


Figure 4-5. Width generator — block diagram

4-31 WIDTH GENERATOR

4-32 A block diagram of the width generator is given in figure 4-5 and a full schematic in diagram 4. These diagrams should be referred to when reading the following description.

4-33 The function of the width generator is to create a pulse of defined width for each positive pulse spike received from the delay generator. The current source (Q34) and the monostable (Q40/Q41) are controlled by the width switch so that the width circuit is inhibited in square wave and external width modes.

4-34 The width generator circuit is identical to the delay generator circuit except for the differentiator on the output (L11); see para. 4-30. The output pulse is applied to pulse shaper 3.

4-35 If square wave or external width modes are being used, the output signals from the selector circuits in figures 4-3c and 4-3d are applied directly to pulse shaper 3 and both the delay and width generators are disabled.

4-36 The two complementary outputs from pulse shaper 3 are then applied to the Normal/Complement circuit.

4-37 OUTPUT AMPLIFIERS

4-38 A block diagram of the output amplifiers is given in figure 4-6 and a full schematic in diagram 5. These diagrams should be referred to when reading the following description.

4-39 The Normal/Complement circuit consists of transistors Q29 to Q32 which are controlled in pairs.

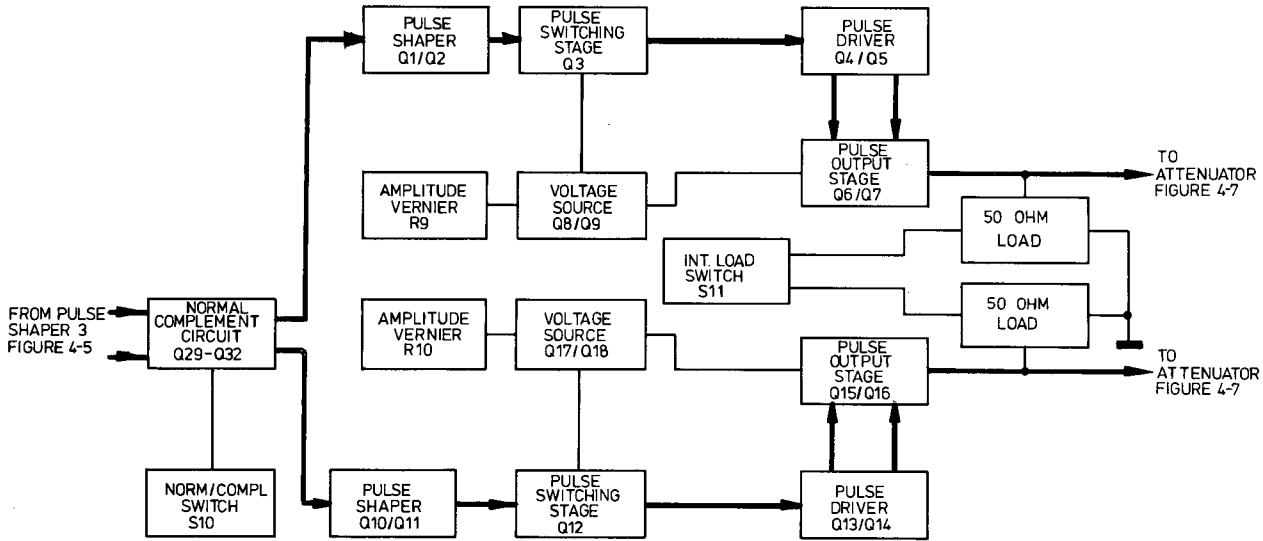


Figure 4-6. Output amplifiers – block diagram

(Q29/Q30 and Q31/Q32) by the NORM/COMPL switch (S10). Either one pair or the other is enabled to transpose the two pulse inputs.

4-40 The two complementary differentiated outputs are applied to pulse shaper Q1/Q2 for the positive channel and pulse shaper Q10/Q11 for the negative channel. The output of Q2 drives the positive output amplifier (Q4 to Q7) via a switching transistor Q3; the output of Q11 drives the negative output amplifier (Q13 to Q16) via a switching transistor Q12.

4-41 Amplitude verniers R9 and R10 determine the potential across the respective voltage sources (Q8/Q9 for the positive channel and Q17/Q18 for the negative channel). This determines the pulse amplitude swing for each channel.

4-42 When the internal load switch S11 is set to the 'in' position, relays K1 and K2 are energized and connect the 50 ohm loads to their respective outputs.

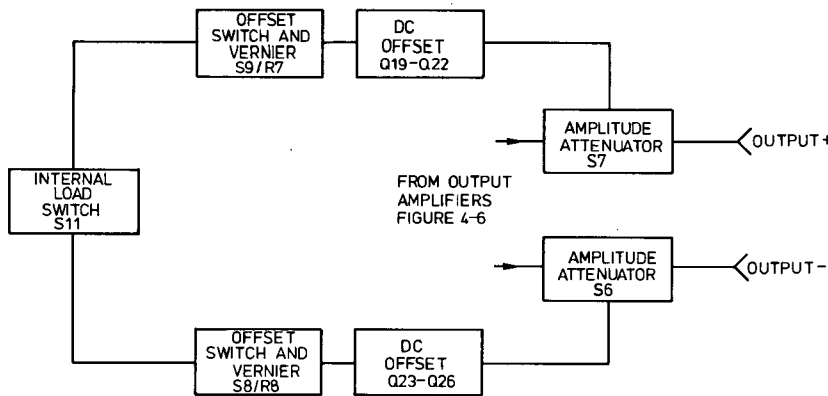


Figure 4-7. Offsets and attenuators – block diagram

4-43 OFFSETS AND ATTENUATORS

4-44 A block diagram of the offsets and attenuators is given in figure 4-7 and a full schematic in diagram 6. These diagrams should be referred to when reading the following description.

4-45 The pulses from the output amplifiers are applied to the two attenuator networks which can reduce the amplitude of each channel from 10V to 0.4V with the 50 ohm load switched out or from 5V to 0.2V with the 50 ohm load switched in.

4-46 The dc offset circuits comprise Q19 to Q22 for the positive channel and Q23 to Q26 for the negative channel. Both circuits operate in the same way and thus only the positive channel is described. Note that the offset is not available when the internal load is switched out.

4-47 When the offset switch (S9) is set to 'off', the vernier (R7) is shorted out. Thus Q19/Q20 and Q21/Q22 are switched off and deliver no current. When the offset switch is set to 'on', clockwise rotation of the vernier increases the output from Q20 and decreases the output from Q22. The output of the amplifier will then be positive. Counterclockwise rotation of the vernier causes the reverse to happen and the amplifier output to become negative.

4-48 POWER SUPPLIES

4-49 The +17V and -17V power supplies are identical series regulated types using IC regulators (U1 and U2) and series pass transistors (Q27 and Q28). Resistors R100 and R104 act as current sensing resistors to enable the regulators to limit the current output.

5-1 GENERAL

5-2 This section contains information on the removal of covers and assemblies, performance verification and recalibration (internal checks and adjustments) procedures.

5-3 Before attempting removal of covers, assemblies or components, disconnect the instrument from the ac line supply. It is advisable also to leave the instrument for a few minutes after disconnecting from the line, to enable capacitors to discharge.

5-4 REMOVAL OF COVERS

5-5 To gain access to all test points and assemblies remove the four screws from each of the two covers and slide the covers off.

5-6 REMOVAL OF ASSEMBLIES

5-7 Reference should be made to the Assembly Location diagram (6-1) before attempting to remove assemblies. Table 6-2 gives the colour code used to identify the internal wiring, e.g. wire 93 is white with an orange stripe.

5-8 Timing board – assembly 5

5-9 Disconnect coaxial cable W2 and wires 93 and 94 from board A5. Remove the three long securing screws and spacers and ease the board out of its connector on board A7.

5-10 Output board – assembly 6

5-11 Disconnect wires 93 and 94 and unsolder coaxial cables W3 and W4 from board A6.

5-12 Remove the four screws securing the rear panel to the frame. Withdraw the rear panel and board A6 through the rear of the frame as far as the power supply leads will permit.

5-13 Remove the three screws securing board A6 to the rear panel. Unsolder the two wires number 923 and the two wires number 937 from board A6. Carefully withdraw board A6 from the frame.

5-14 When board A6 is being refitted, thermal compound (HP part no. 6040-0265) must be applied to the output amplifier heat sink where it bolts on to the rear panel. This is necessary to improve thermal conductivity between the two surfaces.

5-15 Mother board – assembly 7

5-16 Remove boards A5 and A6 as detailed in paragraphs 5-8 to 5-13.

5-17 Unsolder coaxial cables W5 and W6 connecting the output jacks to board A7 at the board A7 end.

5-18 Unsolder the power supply wires (W7) from the line on/off switch (S12).

5-19 Disconnect the five wires 91, 92, 93, 90 and 0 from the top rear of board A7. Disconnect wire 7 from the rear centre of board A7.

5-20 Disconnect the three wires 3, 4 and 5 from the bottom rear of board A7.

5-21 Disconnect the wires from all vernier controls, i.e. R1, R2, R3, R7, R8, R9 and R10 at the board A7 end.

5-22 Remove the six screws securing board A7 to the front panel and carefully remove the board from the frame.

5-23 EQUIPMENT REQUIRED

5-24 A complete list of required test equipment and accessories is given in table 5-1. Test equipment equivalent to that recommended may be substituted, provided it meets the specifications listed in table 5-1. For best results, use recently calibrated test equipment.

5-25 PERFORMANCE TESTS

5-26 The performance tests in tables 5-2 to 5-20 give the procedures for verifying that the instrument is working to the specifications. Rigid observance of the sequence in which the tests appear is unnecessary.

5-27 INTERNAL CHECKS AND ADJUSTMENTS

5-28 The internal checks and adjustments in tables 5-21 to 5-25 give the procedures for adjusting a ser-

viceable instrument to bring it within specification. The checks should be performed in the order in which they appear.

5-29 SERVICE PRODUCT SAFETY CHECK

5-30 This check (table 5-26) should be performed following the internal checks and adjustments to verify the instrument safety.



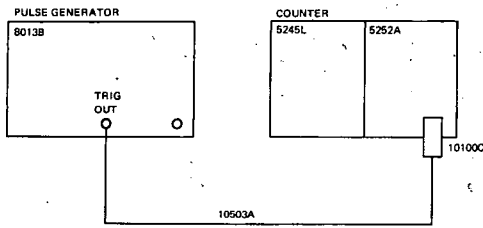
Table 5-1. Test Equipment and Accessories

INSTRUMENT	BRIEF SPECIFICATION	RECOMMENDED MODEL
Counter	Frequency range 0 – 50 MHz with Prescaler plug-in	HP 5245L HP 5252A
Oscilloscope	Dual-channel 50 MHz bandwidth 20mV/div sensitivity, sweep speeds 100ns/div to 1s/div. with sweep delay	HP 180C with plug-ins 1801A, 1821A
Digital Voltmeter	100V range. Accuracy $\pm (0.03\% \text{ reading} + 0.01\% \text{ range})$.	HP 3470 system comprising 34740A display and 34702A Multimeter.
Sampling Oscilloscope	Dual-channel, 1 GHz bandwidth 2mV/div. sensitivity, sweep speeds 100ps/div to 50 μ s/div.	HP 180C with plug-in 1810A
Test Oscillator	Frequency range 10 Hz to 10 MHz	HP 651B
Test Oscillator	Frequency range 10 MHz to 500 MHz	HP 3200B
Pulse Generator	Rep. rate at least 1 MHz variable width (1 μ s to 100ms), amplitude 0V to ± 5 V.	HP 8011A

ACCESSORIES

50 ohm cable assembly, 23cm long, with male BNC connectors	HP 10502A
50 ohm cable assembly, 122cm long, with male BNC connectors (4 required)	HP 10503A
Test leads for DVM – dual banana plug to probe and clip	HP 11003A
Connector, BNC male to type N female (2 required)	HP 1250-0077
Connector, type N male to BNC male (2 required)	HP 1250-0780
Tee Connector, BNC	HP 1250-0781
50 ohm Feed-through termination	HP 10100C
Pulse Adder	HP 15104A
20dB Attenuator, 50 ohm (2 required)	HP 8491A

Table 5-2. Performance Test: Pulse Period



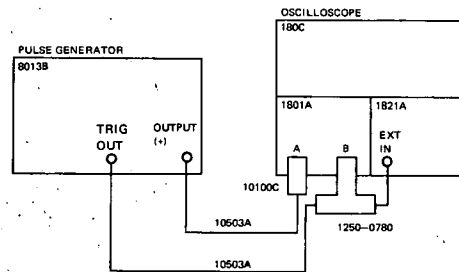
INITIAL CONTROL SETTINGS

PULSE PERIOD	2	20n-1μ
VERNIER	3	CCW
PULSE DOUBLE/NORM	4	NORM
PULSE DELAY	5	35n-1μ
VERNIER	6	CCW
PULSE WIDTH	7	10n-1μ
VERNIER	8	CCW
AMPLITUDE	9	5.0-2.0
VERNIER	10	CW
OFFSET vernier	11	-
OFFSET switch	12	OFF
AMPLITUDE	13	5.0-2.0
VERNIER	14	CW
OFFSET vernier	15	-
OFFSET switch	16	OFF
NORM/COMPL	19	NORM
INT LOAD	20	IN
EXT WIDTH/NORM/RZ	25	NORM

5245L:

FUNCTION	FREQUENCY
SENSITIVITY	1V
TIME BASE	adjust as necessary

Table 5-3. Performance Test: Pulse Delay



INITIAL CONTROL SETTINGS

PULSE PERIOD	2	1μ-.1m
VERNIER	3	CW
PULSE DOUBLE/NORM	4	NORM
PULSE DELAY	5	35n-1μ
VERNIER	6	CW
PULSE WIDTH	7	10n-1μ
VERNIER	8	Center
AMPLITUDE	9	5.0-2.0
VERNIER	10	CW
OFFSET vernier	11	-
OFFSET switch	12	OFF
AMPLITUDE	13	5.0-2.0
VERNIER	14	CW
OFFSET vernier	15	-
OFFSET switch	16	OFF
NORM/COMPL	19	NORM
INT LOAD	20	IN
EXT WIDTH/NORM/RZ	25	NORM

STEP INSTRUCTIONS

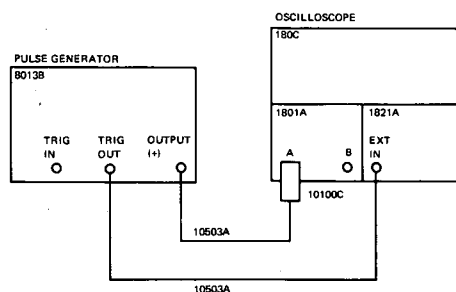
STEP	INSTRUCTIONS	RESULTS
1	Check repetition rate for each set of control settings given in table:	

1 Check the pulse delay for both VERNIER 6 extremities of each range setting of the PULSE DELAY switch 5 as follows:

PULSE PERIOD	VERNIER	PULSE WIDTH	VERNIER		
2	3	7	8		
20n-1μ	CCW	10n-1μ	CCW	< 20ns	> 50 MHz
20n-1μ	CW	1μ-.1m	CCW	> 1μs	< 1 MHz
1μ-.1m	CCW	1μ-.1m	CCW	< 1μs	> 1 MHz
1μ-.1m	CW	.1m-10m	CCW	> .1ms	< 10 KHz
.1m-10m	CCW	.1m-10m	CCW	< .1ms	> 10 KHz
.1m-10m	CW	10m-1	CCW	> 10ms	< 100 Hz
10m-1	CCW	10m-1	CCW	< 10ms	> 100 Hz
10m-1	CW	10m-1	Center	> 1s	< 1 Hz

PULSE DELAY	VERNIER	PULSE PERIOD	PULSE WIDTH	
5	6	2	7	
35n-1μ	CCW	1μ-.1m	10n-1μ	< 35ns
35n-1μ	CW	1μ-.1m	10n-1μ	> 1μs
1μ-.1m	CW	.1m-10m	1μ-.1m	> 100 μs
1μ-.1m	CCW	1μ-.1m	1μ-.1m	> 1μs
.1m-10m	CW	.1m-10m	.1m-10m	> 10ms
.1m-10m	CCW	.1m-10m	.1m-10m	< 100μs
10m-1	CW	EXT+ (press MAN 1)	10m-1	> 1s
10m-1	CCW	10m-1	.1m-10m	< 10mS

For the last setting, set the 5245L FUNCTION switch to PERIOD AVERAGE 1 and measure the pulse period

Table 5-4. Performance Test: Pulse Width (greater than 1 μ s)

INITIAL CONTROL SETTINGS

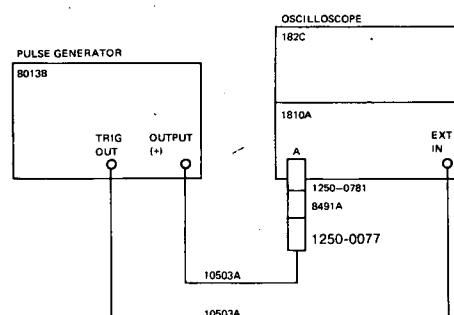
PULSE PERIOD	2	1 μ -.1m
VERNIER	3	CW
PULSE DOUBLE/NORM	4	NORM
PULSE DELAY	5	35n-1 μ
VERNIER	6	CCW
PULSE WIDTH	7	10n-1 μ
VERNIER	8	CW
AMPLITUDE	9	5.0-2.0
VERNIER	10	CW
OFFSET vernier	11	-
OFFSET switch	12	OFF
AMPLITUDE	13	5.0-2.0
VERNIER	14	CW
OFFSET vernier	15	-
OFFSET switch	16	OFF
NORM/COMPL	19	NORM
INT LOAD	20	IN
EXT WIDTH/NORM/RZ	25	NORM

STEP INSTRUCTIONS RESULTS

- 1 Check the pulse width for both VERNIER 8 extremities of each range setting of the PULSE WIDTH switch 7 as follows:

PULSE WIDTH	VERNIER	PULSE PERIOD	
7	8	2	
10n-1 μ	CW	1 μ -.1m	> 1 μ s
1 μ -.1m	CW	.1m-10m	> .1ms
1 μ -.1m	CCW	1 μ -.1m	< 1 μ s
.1m-10m	CW	10m-1	> 10ms
.1m-10m	CCW	.1m-10m	< .1ms
10m-1	CW	EXT+(press MAN 1)	> 1s
10m-1	CCW	10m-1	< 10ms

Table 5-5. Performance Test: Minimum Pulse Width



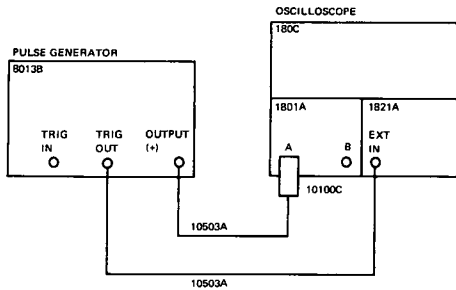
INITIAL CONTROL SETTINGS

PULSE PERIOD	2	20ns-1 μ
VERNIER	3	Center
PULSE DOUBLE/NORM	4	NORM
PULSE DELAY	5	35n-1 μ
VERNIER	6	CCW
PULSE WIDTH	7	10n-1 μ
VERNIER	8	CCW
AMPLITUDE	9	5.0-2.0
VERNIER	10	CW
OFFSET vernier	11	-
OFFSET switch	12	OFF
AMPLITUDE	13	5.0-2.0
VERNIER	14	CW
OFFSET vernier	15	-
OFFSET switch	16	OFF
NORM/COMPL	19	NORM
INT LOAD	20	IN
EXT WIDTH/NORM/RZ	25	NORM

STEP INSTRUCTIONS RESULTS

- 1 Measure the pulse width: < 10ns

Table 5-6. Performance Test: Pulse Period Jitter



INITIAL CONTROL SETTINGS

PULSE PERIOD 2	1μ-.1m
VERNIER 3	see step 2
PULSE DOUBLE/NORM 4	NORM
PULSE DELAY 5	35n-1μ
VERNIER 6	CCW
PULSE WIDTH 7	1μ-.1m
VERNIER 8	CENTERED
AMPLITUDE 9	5.0-2.0
VERNIER 10	CW
OFFSET vernier 11	-
OFFSET switch 12	OFF
AMPLITUDE 13	5.0-2.0
VERNIER 14	CW
OFFSET vernier 15	-
OFFSET switch 16	OFF
NORM/COMPL 19	NORM
INT LOAD 20	IN
EXT WIDTH/NORM/RZ 25	NORM

STEP INSTRUCTIONS RESULTS

- 1 Set the 1821A controls as follows:

Main Sweep	0.1ms/div
Delayed Sweep	0.1μs/div
Sweep Mode	Norm.
Delay Trigger	Auto
CM Delay	2.0
- 2 Adjust pulse period VERNIER 3 to obtain 0.1 ms pulse period on display.
- 3 Adjust 1821A Delay (Div) vernier until intensified spot coincides with leading edge of second pulse on display.
- 4 Switch to Delayed Sweep and center the pulse.
- 5 Measure pulse period jitter: <1 div.

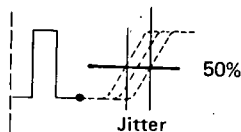
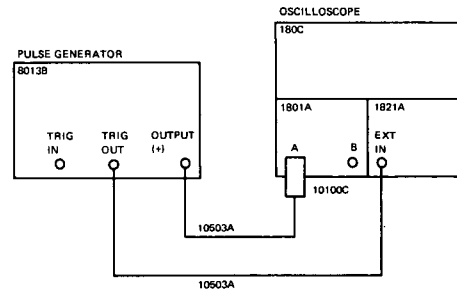


Table 5-7. Performance Test: Pulse Delay Jitter



INITIAL CONTROL SETTINGS

PULSE PERIOD 2	.1m-10m
VERNIER 3	CW
PULSE DOUBLE/NORM 4	NORM
PLSE DELAY 5	1μ-.1m
VERNIER 6	CW
PULSE WIDTH 7	1μ-.1m
VERNIER 8	CCW
AMPLITUDE 9	5.0-2.0
VERNIER 10	CW
OFSET vernier 11	-
OFFSET switch 12	OFF
AMPLITUDE 13	5.0-2.0
VENIER 14	CW
OFFSET vernier 15	-
OFFSET switch 16	OFF
NORM/COMPL 19	NORM
INT LOAD 20	IN
EXT WIDTH/NORM/RZ 25	NORM

STEP INSTRUCTIONS

- 1 Set the 1821A controls as follows:

Main Sweep	0.1mS/div
Delayed Sweep	0.1μS/div
Sweep Mode	Norm.
Delayed Trigger	Auto.
CM Delay	10.0
- 2 Adjust pulse period VERNIER 3 to obtain 0.4mS pulse period on display.
- 3 Adjust pulse delay VERNIER 6 to obtain 0.1mS pulse delay.
- 4 Adjust 1821A Delay (Div) vernier until intensified spot coincides with leading edge of second pulse.
- 5 Switch to Delayed Sweep and center the leading edge.

- 6 Display should be:
- 7 Measure pulse delay jitter: <1 div.

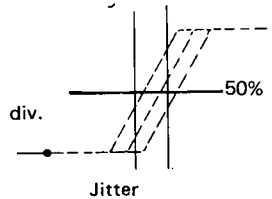
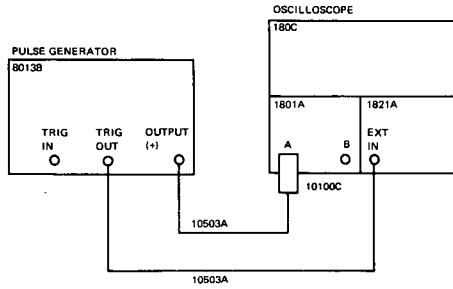


Table 5-8. Performance Test: Pulse Width Jitter



INITIAL CONTROL SETTINGS

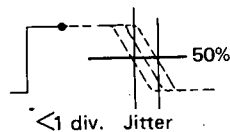
PULSE PERIOD 2	.1m-10m
VERNIER 3	CW
PULSDE DOUBLE/NORM 4	NORM
PULSE DELAY 5	35n-1μ
VERNIER 6	CCW
PULSE WIDTH 7	1μ-.1m
VERNIER 8	CW
AMPLITUDE 9	5.0-2.0
VERNIER 10	CW
OFFSET vernier 11	-
OFFSET switch 12	OFF
AMPLITUDE 13	5.0-2.0
VERNIER 14	CW
OFFSET vernier 15	-
OFFSET switch 16	OFF
NORM/COMPL 19	NORM
INT LOAD 20	IN
EXT WIDTH/NORM/RZ 25	NORM

STEP INSTRUCTIONS

- 1 Set 1821A controls as follows:

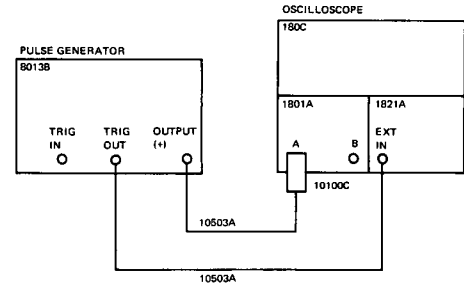
Main Sweep	0.1mS/div
Delayed Sweep	0.1uS/div
Sweep Mode	Norm.
Delayed Trigger	Auto.
CM Delay	10
- 2 Adjust pulse period VERNIER 3 to obtain 0.4ms pulse period on display.
- 3 Adjust pulse width VERNIER 8 to obtain 0.1ms pulse width.
- 4 Adjust 1821A Delay (Div) vernier until intensified spot coincides with trailing edge of first pulse.
- 5 Switch to Delayed Sweep and center pulse as shown.

6 Display should be:



7 Measure pulse width jitter:

Table 5-9. Performance Test: Square Wave



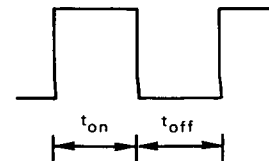
INITIAL CONTROL SETTINGS

PULSE PERIOD 2	20n-1μ
VERNIER 3	CCW
PULSE DOUBLE/NORM 4	NORM
PULSE DELAY 5	35n-1μ
VERNIER 6	CW
PULSE WIDTH 7	SQUARE WAVE
VERNIER 8	CW
AMPLITUDE 9	5.0-2.0
VERNIER 10	CW
OFFSET vernier 11	-
OFFSET switch 12	OFF
AMPLITUDE 13	5.0-2.0
VERNIER 14	CW
OFFSET vernier 15	-
OFFSET switch 16	OFF
NORM/COMPL 19	NORM
INT LOAD 20	IN
EXT WIDTH/NORM/RZ 25	NORM

STEP INSTRUCTIONS

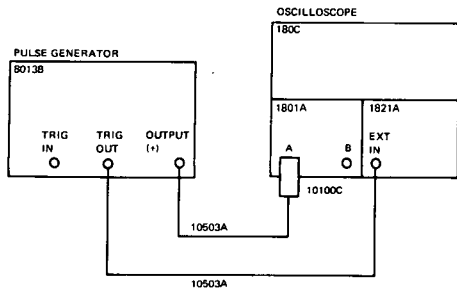
- 1 For each setting of the PULSE PERIOD switch 2, given in the table below, turn the VERNIER 3 slowly from fully CCW to fully CW and check that the PULSE DELAY 5 and VERNIER 6 controls have minimal effect on the position of the displayed pulse.

PULSE PERIOD 2	VERNIER 3	Symmetry
20n - 1μ	CCW to CW	50% ± 15%
1μ - .1m	CCW to CW	50% ± 5%
.1m - 10m	CCW to CW	50% ± 5%
10m - 1	CCW to CW	50% ± 5%
- 2 For all settings of the pulse period control check that the pulse width equals pulse OFF time within the above limits.



S. M. M.

Table 5-10. Performance Test: Duty Cycle



INITIAL CONTROL SETTINGS

PULSE PERIOD	2	1μ-.1m
VERNIER	3	CW
PULSE DOUBLE/NORM	4	NORM
PULSE DELAY	5	35n-1μ
VERNIER	6	CCW
PULSE WIDTH	7	1μ-.1m
VERNIER	8	CCW
AMPLITUDE	9	5.0-2.0
VERNIER	10	CW
OFFSET vernier	11	-
OFFSET switch	12	OFF
AMPLITUDE	13	5.0-2.0
VERNIER	14	CW
OFFSET vernier	15	-
OFFSET switch	16	OFF
NORM/COMPL	19	NORM
INT LOAD	20	IN
EXT WIDTH/NORM/RZ	25	NORM

STEP INSTRUCTIONS RESULTS

- For each set of control settings given in table below, display the output pulse so that it occupies half of the display (see diagram below).

Starting with the pulse period VERNIER 3 fully CW turn VERNIER 3 slowly CCW until the trailing edge of the pulse begins to move or the pulse divides. When this happens measure the pulse period (Tp) and use in the formula:

$$\text{Duty Cycle}_{\text{Max}} = \frac{\text{Pulse Width (Tw)}}{\text{Pulse Period (Tp)}} \times 100\%$$

PULSE PERIOD	PULSE WIDTH	VERNIER	
2	7	8	
1μ-.1m	1μ-.1m	Adjust for 1μs	> 75%
.1m-10m	.1m-10m	Adjust for 0.1ms	> 75%
10m-1	10m-1	Adjust for 10ms	> 75%

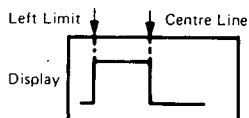
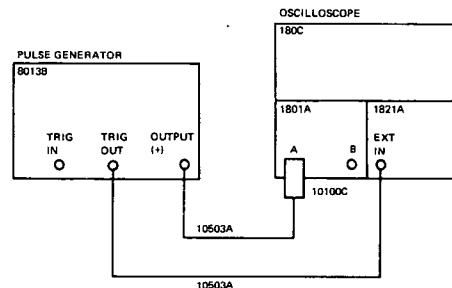


Table 5-11. Performance Test: Manual Operation



INITIAL CONTROL SETTINGS

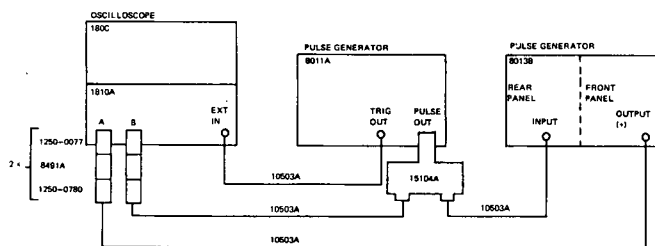
PULSE PERIOD	2	EXT(+)
VERNIER	3	-
PULSE DOUBLE/NORM	4	NORM
PULSE DELAY	5	35n-1μ
VERNIER	6	CCW
PULSE WIDTH	7	1μ-.1m
VERNIER	8	CW
AMPLITUDE	9	5.0-2.0
VERNIER	10	CW
OFFSET vernier	11	-
OFFSET switch	12	OFF
AMPLITUDE	13	5.0-2.0
VERNIER	14	CW
OFFSET vernier	15	-
OFFSET switch	16	OFF
NORM/COMPL	19	NORM
INT LOAD	20	IN
EXT WIDTH/NORM/RZ	25	NORM

STEP INSTRUCTIONS

- Press MAN button 1

Only one output pules must occur when the button is pressed, no pulse must occur when the button is released.

Table 5-12. Performance Test: External Width Operation



INITIAL CONTROL SETTINGS

PULSE PERIOD	2	—
VERNIER	3	—
PULSE DOUBLE/NORM	4	—
PULSE DELAY	5	—
VERNIER	6	—
PULSE WIDTH	7	—
VERNIER	8	—
AMPLITUDE	9	5.0-2.0
VERNIER	10	CW
OFFSET vernier	11	—
OFFSET switch	12	OFF
AMPLITUDE	13	5.0-2.0
VERNIER	14	CW
OFFSET vernier	15	—
OFFSET switch	16	OFF
NORM/COMPL	19	NORM
INT LOAD	20	IN
EXT WIDTH/NORM/RZ	25	EXT WIDTH

STEP INSTRUCTIONS

- 1 Apply external signals to INPUT 26 .

NOTE

The 1 V signal applied to 8013B INPUT 26 is displayed on the oscilloscope as 100 mV due to the HP 8491A attenuator.

- 2 Note that the leading and trailing edges of the output pulses are delayed on the input pulses by a fixed delay of approx. 30ns. This is the propagation delay of the 8013B internal circuitry.

RESULT

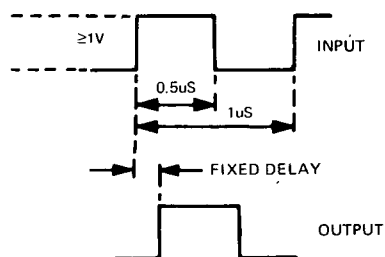
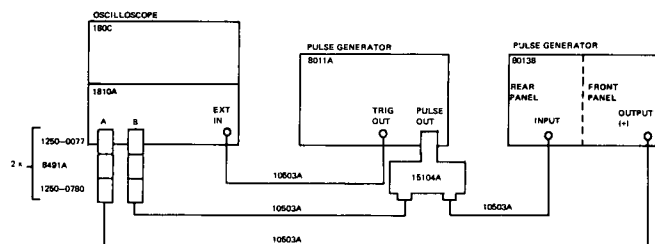


Table 5-13. Performance Test: RZ Operation



INITIAL CONTROL SETTINGS

PULSE PERIOD	2	EXT(+)
VERNIER	3	—
PULSE DOUBLE/NORM	4	NORM
PULSE DELAY	5	35n-1µ
VERNIER	6	CCW
PULSE WIDTH	7	10n-1µ
VERNIER	8	Center
AMPLITUDE	9	5.0-2.0
VERNIER	10	CCW
OFFSET vernier	11	—
OFFSET switch	12	OFF
AMPLITUDE	13	5.0-2.0
VERNIER	14	CCW
OFFSET vernier	15	—
OFFSET switch	16	OFF
NORM/COMPL	19	NORM
INT LOAD	20	IN
EXT WIDTH/NORM/RZ	25	RZ

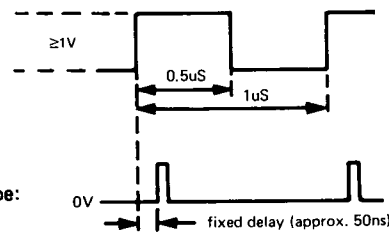
STEP INSTRUCTIONS RESULTS

- 1 Apply RZ pulses to INPUT 26

NOTE

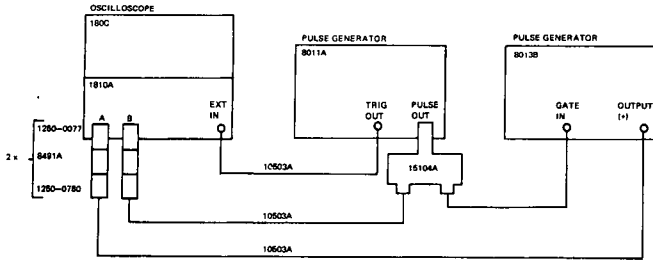
The 1 V signal applied to 8013B INPUT 26 is displayed on the oscilloscope as 100 mV due to the HP 8491A attenuator.

- 2 Output should be:



- 3 Check that pulse delay VERNIER 6 and pulse width VERNIER 8 vary the pulse delay and pulse width.

Table 5-14. Performance Test: Gate Operation



INITIAL CONTROL SETTINGS

PULSE PERIOD 2	20n-1μ
VERNIER 3	Center
PULSE DOUBLE/NORM 4	NORM
PULSE DELAY 5	35n-1μ
VERNIER 6	CCW
PULSE WIDTH 7	10n-1μ
VERNIER 8	50% duty cycle
AMPLITUDE 9	5.0-2.0
VERNIER 10	CCW
OFFSET vernier 11	-
OFFSET switch 12	OFF
AMPLITUDE 13	5.0-2.0
VERNIER 14	CW
OFFSET vernier 15	-
OFFSET switch 16	OFF
NORM/COMPL 19	NORM
INT LOAD 20	IN
EXT WIDTH/NORM/RZ 25	NORM

STEP INSTRUCTIONS

- 1 Apply gate pulse to GATE INPUT 22 . *+1.5V*
- 2 Check that output pulses at OUTPUT 17 only occur during ON time of gate pulse: Turn pulse period VERNIER 3 slowly CW and check gate operation for all pulse periods.
- 3 Move cable on OUTPUT(+) 17 to TRIGGER OUTPUT(+) 21.
- 4 Check that leading edge of first trigger output pulse (TRIGGER OUTPUT 21) occurs a short time (owing to fixed delay) after the leading edge of the gate pulse.
- 5 Check that last pulse width is correct even when gate pulse trailing edge occurs just before or during the last pulse (owing to the effect of the fixed delay of approx. 40ns).

RESULTS

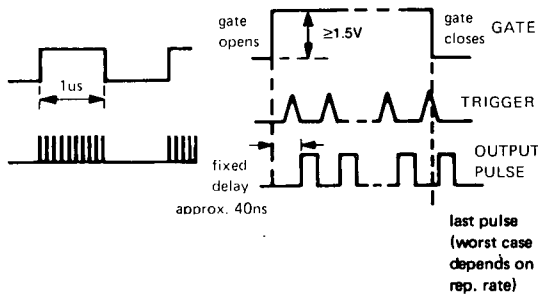
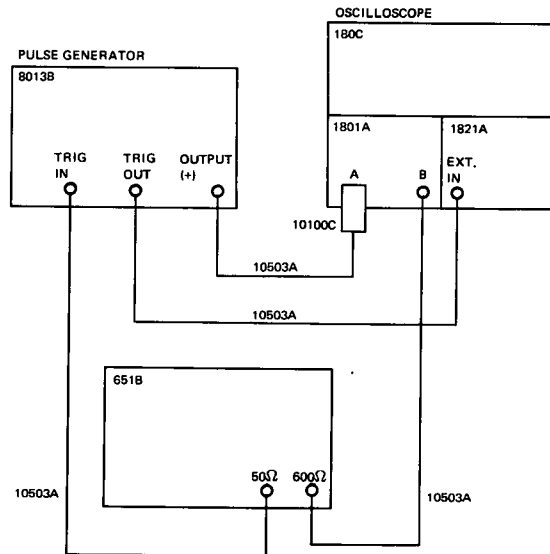


Table 5-15. Performance Test: External Trigger Operation



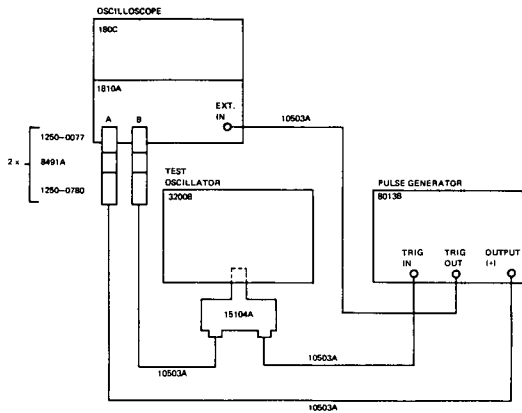
INITIAL CONTROL SETTINGS

PULSE PERIOD 2	EXT(+)
VERNIER 3	-
PULSE DOUBLE/NORM 4	NORM
PULSE DELAY 5	35n-1μ
VERNIER 6	CCW
PULSE WIDTH 7	.1m-10m
VERNIER 8	CCW
AMPLITUDE 9	5.0-2.0
VERNIER 10	CW
OFFSET vernier 11	-
OFFSET switch 12	OFF
AMPLITUDE 13	5.0-2.0
VERNIER 14	CW
OFFSET vernier 15	-
OFFSET switch 16	OFF
NORM/COMPL 19	NORM
INT LOAD 20	IN
EXT WIDTH/NORM/RZ 25	NORM

STEP INSTRUCTIONS

- 1 Set the 651B controls as follows:
 Range X100
 Vernier 2.5
 Attenuator +10dB (1.0V)
 Amplitude 0.61V RMS
 Frequency 1kHz
- 2 Center the waveforms on the oscilloscope display and check that the leading edge of the output pulse occurs during positive slope of the sinewave.
- 3 Set PULSE PERIOD 2 to EXT (-). The leading edge of the output pulse should occur during the negative slope of the sinewave.

Table 5-16. Performance Test: High Frequency Trigger Operation



INITIAL CONTROL SETTINGS

PULSE PERIOD 2	EXT(+)
VERNIER 3	-
PULSE DOUBLE/NORM 4	NORM
PULSE DELAY 5	35n-1μ
VERNIER 6	CCW
PULSE WIDTH 7	10n-1μ
VERNIER 8	CCW
AMPLITUDE 9	5.0-2.0
VERNIER 10	CW
OFFSET vernier 11	-
OFFSET switch 12	OFF
AMPLITUDE 13	5.0-2.0
VERNIER 14	CW
OFFSET vernier 15	-
OFFSET switch 16	OFF
NORM/COMPL 19	NORM
INT LOAD 20	IN
EXT WIDTH/NORM/RZ 25	NORM

STEP INSTRUCTIONS

- 1 Apply a sinewave with a repetition rate of 50 MHz and amplitude of 1.7V p-p. Check that repetition rate of output is equal to repetition rate of input i.e. 50 MHz.

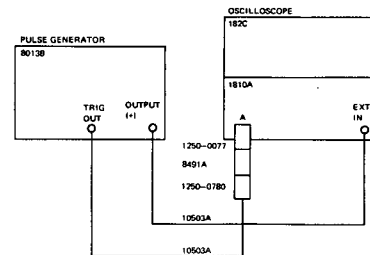
NOTE

The 1.7 V p-p signal applied to 8013B TRIGGER INPUT 23 is displayed on the oscilloscope as 170 mV due to the HP 8491A attenuator.

- 2 Set PULSE PERIOD 2 to EXT -.
- 3 Repeat step 1.

Note that there is a delay of 25ns ± 8ns between the trigger input and output.

Table 5-17. Performance Test: Trigger Output



INITIAL CONTROL SETTINGS

PULSE PERIOD 2	20n-1μ
VERNIER 3	CCW
PULSE DOUBLE/NORM 4	NORM
PULSE DELAY 5	35n-1μ
VERNIER 6	CCW
PULSE WIDTH 7	10n-1μ
VERNIER 8	CCW
AMPLITUDE 9	2.0-1.0
VERNIER 10	CW
OFFSET vernier 11	-
OFFSET switch 12	OFF
AMPLITUDE 13	2.0-1.0
VERNIER 14	CW
OFFSET vernier 15	-
OFFSET switch 16	OFF
NORM/COMPL 19	NORM
INT LOAD 20	IN
EXT WIDTH/NORM/RZ 25	NORM

STEP INSTRUCTIONS

RESULTS

- | | | |
|---|--|--------|
| 1 | Measure amplitude of trigger output pulse (TRIGGER OUTPUT) | > 1.0V |
|---|--|--------|

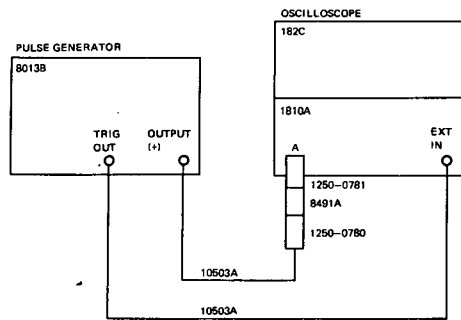
NOTE

The 1.0 V TRIGGER OUTPUT pulse of the 8013B is displayed on the oscilloscope as 100 mV due to the HP 8491A attenuator.

- | | | |
|---|--|-------------|
| 2 | Measure width of trigger output pulse at 50% of amplitude: | 16ns ± 10ns |
| 3 | Turn VERNIER 3 slowly from CCW to CW, the amplitude and width limits given must be true for the whole range. | |
| 4 | Switch PULSE PERIOD 2 to range 1μ-.1m and repeat steps 1 to 3. | |
| 5 | Switch PULSE WIDTH 7 to SQUARE WAVE and repeat steps 1 to 3. | |

*Also check rise & Fall Time < 3.5 ns
with int load out < 5.0 ns*

Table 5-18. Performance Test: Preshoot, Overshoot and Ringing



INITIAL CONTROL SETTINGS

PULSE PERIOD 2	20n-1μ
VERNIER 3	CCW
PULSE DOUBLE/NORM 4	NORM
PULSE DELAY 5	35n-1μ
VERNIER 6	CCW
PULSE WIDTH 7	SQUARE WAVE
VERNIER 8	-
AMPLITUDE 9	5.0-2.0
VERNIER 10	CW
OFFSET vernier 11	-
OFFSET switch 12	OFF
AMPLITUDE 13	5.0-2.0
VERNIER 14	CW
OFFSET vernier 15	-
OFFSET switch 16	OFF
NORM/COMPL 19	NORM
INT LOAD 20	IN
EXT WIDTH/NORM/RZ 25	NORM

STEP INSTRUCTIONS

- With reference to the diagram below, measure preshoot, overshoot and ringing in turn to ensure that these are < 5% of the pulse amplitude.
- Disconnect the oscilloscope input from the 8013B and reconnect to the negative output connector 18. Repeat step 1.

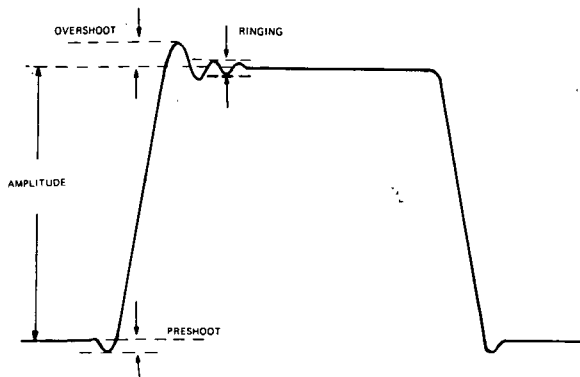
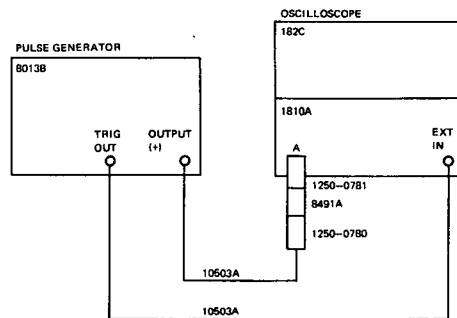


Table 5-19. Performance Test: Amplitude



INITIAL CONTROL SETTINGS

PULSE PERIOD 2	20n-1μ
VERNIER 3	CW
PULSE DOUBLE/NORM 4	NORM
PULSE DELAY 5	35n-1μ
VERNIER 6	CCW
PULSE WIDTH 7	10n-1μ
VERNIER 8	Center
AMPLITUDE 9	5.0-2.0
VERNIER 10	CW
OFFSET vernier 11	-
OFFSET switch 12	OFF
AMPLITUDE 13	5.0-2.0
VERNIER 14	CW
OFFSET vernier 15	-
OFFSET switch 16	OFF
NORM/COMPL 19	NORM
INT LOAD 20	IN
EXT WIDTH/NORM/RZ 25	NORM

STEP INSTRUCTIONS RESULTS

- Check the amplitude for both VERNIER 10 and 14 extremities of each setting of the AMPLITUDE switch 9 and 13 as follows:

NOTE

Output amplitudes displayed on the oscilloscope will be decreased by a factor of 10 due to the HP 8491A attenuator.

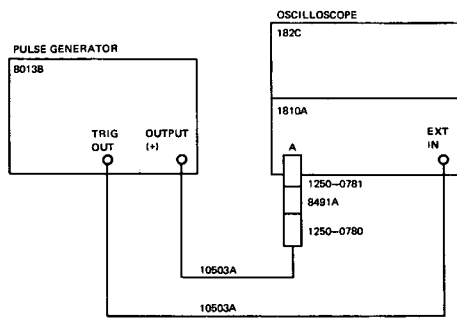
AMPLITUDE 9 13	VERNIER 10 14	INT LOAD	
		IN	OUT
5.0-2.0	CW	≥5.0	≥10V
5.0-2.0	CCW	≤2.0	≤4V
2.0-1.0	CW	≥2.0	≥4V
2.0-1.0	CCW	≤1.0	≤2V
1.0-.05	CW	≥1.0	≥2V
1.0-.05	CCW	≤0.5	≤1V
0.5-0.2	CW	≥0.5	≥1V
0.5-0.2	CCW	≤0.2	≤0.4V

- Move cable on OUTPUT(+) 17 to OUTPUT(-) 18 and repeat step 1.

NOTE

If OUTPUT(-) does not meet amplitude requirements, it may be necessary to change the value of A6R56 to 3.48 kohms (HP Part No. 0698-3152).

Table 5-20. Performance Test: DC Offset



INITIAL CONTROL SETTINGS

PULSE PERIOD	2	20n-1μ
VERNIER	3	CW
PULSE DOUBLE/NORM	4	NORM
PULSE DELAY	5	35n-1μ
VERNIER	6	CCW
PULSE WIDTH	7	10n-1μ
VERNIER	8	Center
AMPLITUDE	9	5.0-2.0
VERNIER	10	CW
OFFSET vernier	11	-
OFFSET switch	12	OFF
AMPLITUDE	13	5.0-2.0
VERNIER	14	CW
OFFSET vernier	15	-
OFFSET switch	16	OFF
NORM/COMPL	19	NORM
INT LOAD	20	IN
EXT WIDTH/NORM/RZ	25	NORM

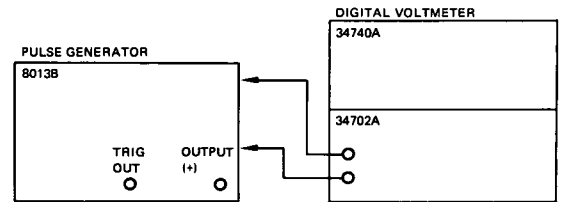
STEP	INSTRUCTIONS	RESULTS
------	--------------	---------

NOTE

Offset amplitudes displayed on the oscilloscope will be decreased by a factor of 10 due to the HP 8491A attenuator.

1	Disconnect 8013B from oscilloscope.	
2	Center the oscilloscope display trace.	
3	Reconnect 8013B to oscilloscope.	
4	Set OFFSET 16 to ON.	
5	Turn VERNIER 15 fully CCW.	
6	Measure negative offset:	≥ -2.5V
7	Turn VERNIER 15 fully CW.	
8	Measure positive offset:	≥ +2.5V
9	Turn OFFSET 16 to OFF.	
10	Output pulse baseline should be at center of oscilloscope display.	
11	Connect the oscilloscope input to the 8013B negative output connector 18.	
12	Repeat steps 1 to 8 for OFFSET 12 and VERNIER 11 but with the following limits:	
	VERNIER 11 fully CCW	≥ -2.5V
	VERNIER 11 fully CW	≥ +2.5V

Table 5-21. Internal Checks and Adjustments - Power Supply



INITIAL CONTROL SETTINGS 8013B:

PULSE PERIOD	2	EXT+
VERNIER	3	CW
PULSE DOUBLE/NORMAL	4	NORM
PULSE DELAY	5	1μ-0.1m
VERNIER	6	CCW
PULSE WIDTH	7	1μ-0.1m
VERNIER	8	CCW
AMPLITUDE	9	5.0-2.0
VERNIER	10	CW
OFFSET switch	12	OFF
AMPLITUDE	13	5.0-2.0
VERNIER	14	CW
OFFSET	16	OFF
NORM/COMPL	19	NORM
INT LOAD	20	IN
EXT WIDTH/NORM/RZ	25	NORM

3444A:

FUNCTION switch	VOLTS
RANGE switch	100V

STEP INSTRUCTION

- 1 Connect the DVM between the +17VTP on board A6 and GND. Adjust A6R102 for +17V ± 100mV.
- 2 Connect the DVM between the -17V TP on board A6 and GND. Adjust A6R106 for -17V ± 100mV.

BOARD A6

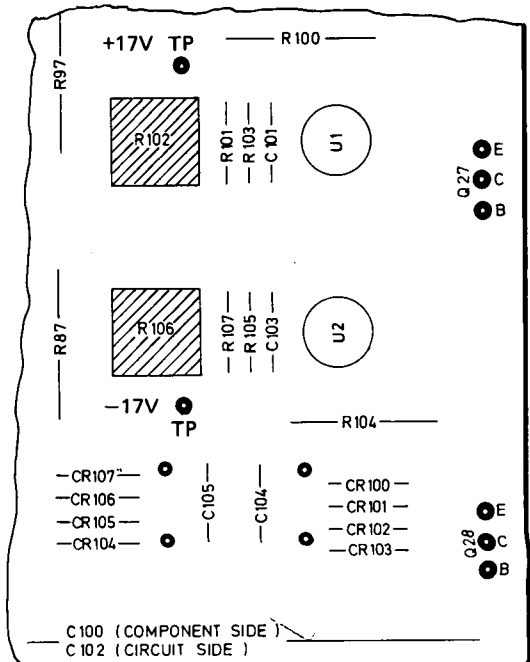
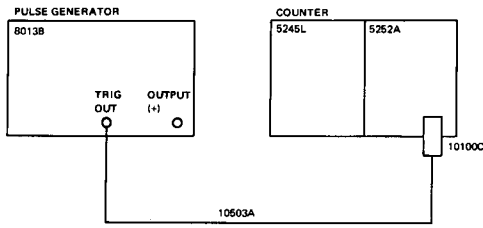


Table 5-22. Internal Checks and Adjustments — Repetition Rate



INITIAL CONTROL SETTINGS 8013B:

PULSE PERIOD	2	20n-1μ
VERNIER	3	CCW
PULSE DOUBLE/NORMAL	4	NORM
PULSE DELAY	5	35n-1μ
VERNIER	6	CCW
PULSE WIDTH	7	10n-1μ
VERNIER	8	CCW
AMPLITUDE	9	5.0-2.0
VERNIER	10	CW
OFFSET switch	12	OFF
AMPLITUDE	13	5.0-2.0
VERNIER	14	CW
OFFSET	16	OFF
NORM/COMPL	19	NORM
INT LOAD	20	IN
EXT WIDTH/NORM/RZ	25	NORM

5252A:
MAX COUNT RATE 100MC

5245L:
SENSITIVITY 0.1V
SIGNAL INPUT AC
TIME BASE 0.1m
FUNCTION FREQUENCY

STEP INSTRUCTION

- Adjust capacitor A5C24 for a nominal frequency of 51.5 MHz.
Limits > 51 MHz < 52 MHz.

BOARD A5

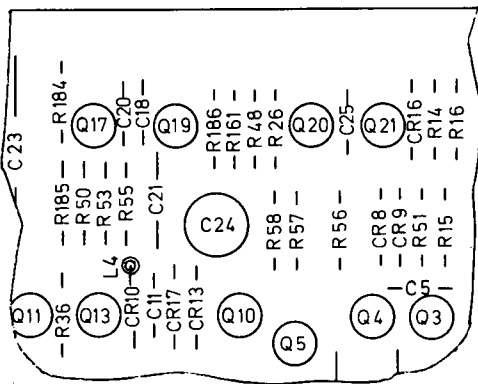
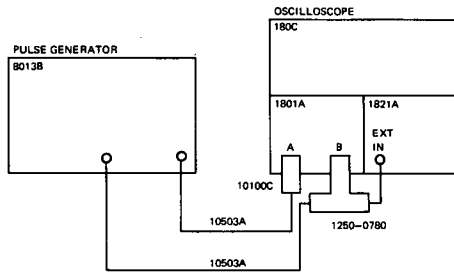


Table 5-23. Internal Checks and Adjustments — Delay and Width Timing



INITIAL CONTROL SETTINGS 8013B:

PULSE PERIOD	2	1μ-0.1m
VERNIER	3	CW
PULSE DOUBLE/NORMAL	4	NORM
PULSE DELAY	5	35n-1μ
VERNIER	6	CW
PULSE WIDTH	7	10n-1μ
VERNIER	8	CW
AMPLITUDE	9	5.0-2.0
VERNIER	10	CW
OFFSET switch	12	OFF
AMPLITUDE	13	5.0-2.0
VERNIER	14	CW
OFFSET	16	OFF
NORM/COMPL	19	NORM
INT LOAD	20	IN
EXT WIDTH/NORM/RZ	25	NORM

1. PULSE DELAY

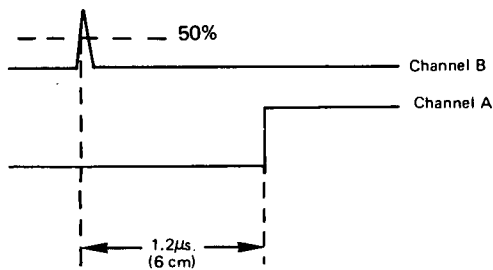
STEP INSTRUCTION

- 1 Set up the oscilloscope as follows:

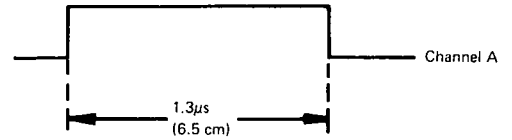
1801A:
 DISPLAY ALT, channel B
 VOLTS/DIV 2V
 POLARITY + UP, DC INPUT

1821A:
 TIME/DIV 0.2μs

- 2 Set the leading edge of the trigger output pulse on the first vertical line on the screen. Measure the time to the leading edge of the output pulse. Adjust A5C35 for a nominal 1.2μs. Limits > 1.1μs < 1.35μs.



2. PULSE WIDTH



STEP INSTRUCTION

- 1 Set the oscilloscope DISPLAY switch to CHANNEL A only.
- 2 Set the pulse leading edge on the first line of the screen. Adjust A5C45 for a nominal 1.3μs. Limits > 1.1μs < 1.5μs. (minimum width with vernier 8 in CCW position is < 10ns using a sampling oscilloscope).

BOARD A5

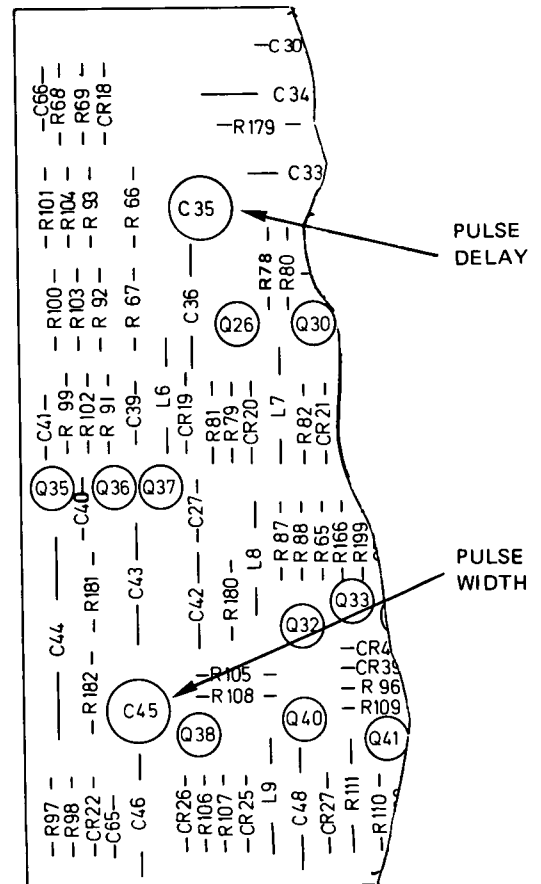
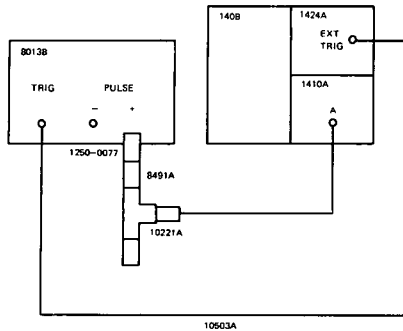


Table 5-24. Internal Checks and Adjustments - Pulse Perturbation

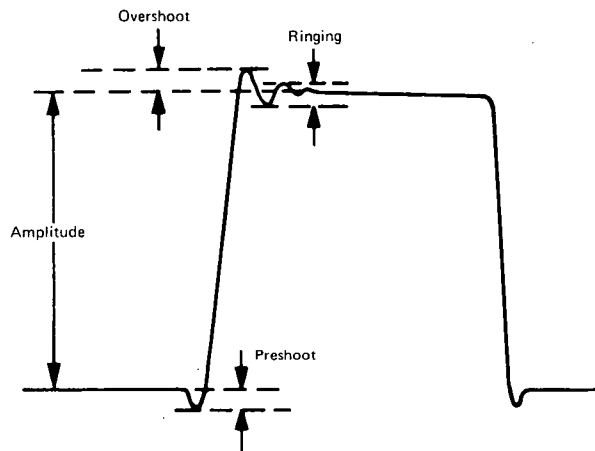


INITIAL CONTROL SETTINGS 8013B:

PULSE PERIOD	2	20n-1μ
VERNIER	3	see step 2
PULSE DOUBLE/NORMAL	4	NORM
PULSE DELAY	5	35n-1μ
VERNIER	6	CCW
PULSE WIDTH	7	10n-1μ
VERNIER	8	CCW
AMPLITUDE	9	5.0-2.0
VERNIER	10	CW
OFFSET switch	12	OFF
AMPLITUDE	13	5.0-2.0
VERNIER	14	CW
OFFSET	16	OFF
NORM/COMPL	19	NORM
INT LOAD	20	IN
EXT WIDTH/NORM/RZ	25	NORM

STEP INSTRUCTION

- 1 Adjust the amplitude vernier 14 for the + channel to obtain a 8 cm deflection.
- 2 Adjust the period vernier 3 to display two periods on the screen.
- 3 Measure the pulse transition times; they should be <3.5ns.
- 4 Measure the preshoot, overshoot and ringing; they should both be <5% of pulse amplitude.
- 5 Adjust A6C25 and A6R25 for the best compromise between overshoot and rise time.
- 6 Disconnect the scope from the positive pulse output and connect it to the negative pulse output.
- 7 Repeat steps 1 to 5 for the negative channel and adjust the pulse shape using A6C65 and A6R65.



BOARD A6

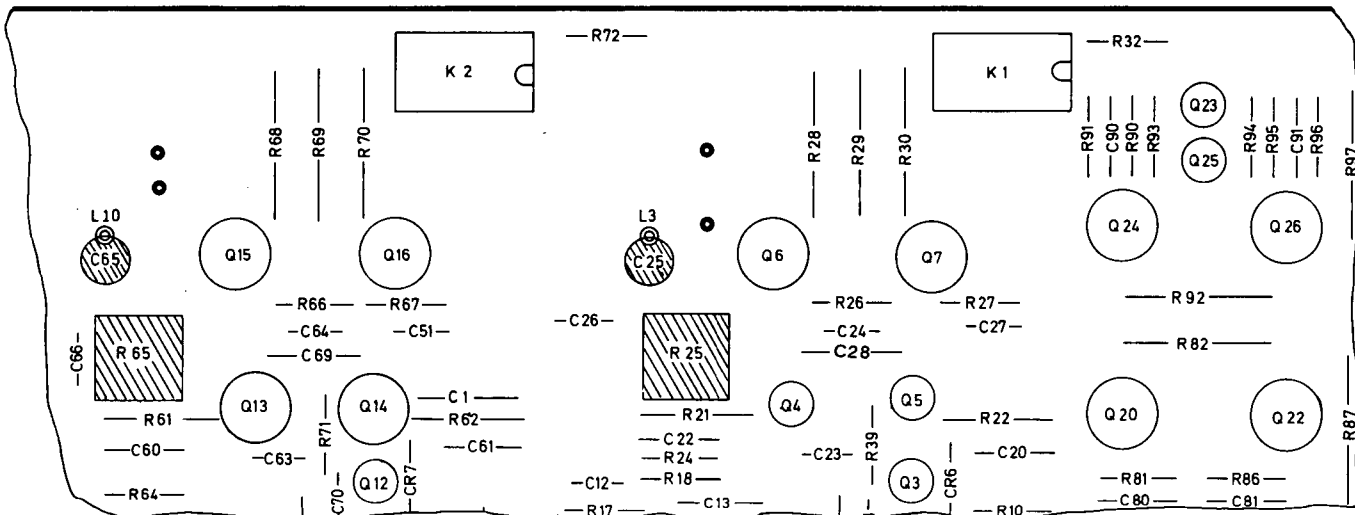
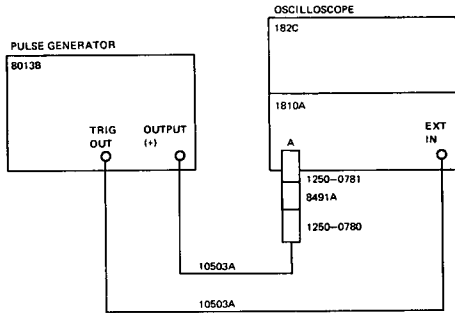


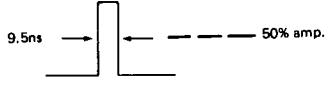
Table 5-25. Internal Checks and Adjustments - Double Pulse



INITIAL CONTROL SETTINGS

PULSE PERIOD 2	20n-1μ
VERNIER 3	center
PULSE DOUBLE/NORM 4	NORM
PULSE DELAY 5	35n-1μ
VERNIER 6	CCW
PULSE WIDTH 7	10n-1μ
VERNIER 8	CCW
AMPLITUDE 9	5.0-2.0
VERNIER 10	CW
OFFSET vernier 11	-
OFFSET switch 12	OFF
AMPLITUDE 13	5.0-2.0
VERNIER 14	CW
OFFSET vernier 15	-
OFFSET switch 16	OFF
NORM/COMPL 19	NORM
INT LOAD 20	IN
EXT WIDTH/NORM/RZ 25	NORM

STEP INSTRUCTION

- 1 Position the output pulse on the oscilloscope screen.
 - 2 Adjust A5C45 for $\leq 9.5\text{ns}$ pulse width at 50% of pulse amplitude.
- 
- 3 Set the 8013B pulse double/norm switch to double.
 - 4 Adjust PULSE DELAY VERNIER 6 to produce a first (undelayed) pulse of $\geq 20\text{ns}$ between the pulse leading edges.
 - 5 Adjust A5R188 to produce a first (undelayed) pulse of the same width as the delayed pulse (9.5ns - see step 2)

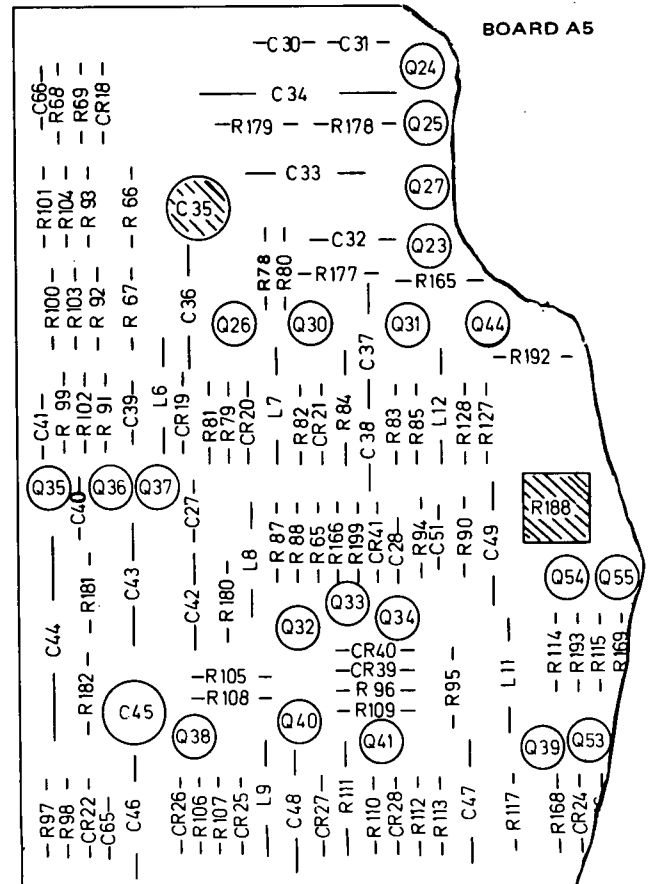
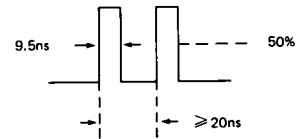


Table 5-26. Service Product Safety Check

STEP INSTRUCTION

- 1 Visually inspect interior of 8013B for any signal of abnormal internally generated heat, such as discolored printed circuit boards or components, damaged insulation, or evidence of arcing. Determine and remedy cause of any such condition if the product is in warranty. Disconnect power cord from line.
- 2 Check resistance from 8013B cabinet to ground pin on power plug with suitable ohmmeter. The reading must be less than one ohm. Flex the power cord while making this measurement to detect any intermittent discontinuity. Check internal ground connections on boards and frame. Also check resistance of any front or rear panel ground terminals marked \perp .
- 3 Check resistance from 8013B cabinet to line and neutral (tied together) with the power switch on and the power source

disconnected. The minimum acceptable resistance is two megohms. Replace any component which results in a failure or refer to production Memo or Service Note issued by product division for alternate action.

- 4 Check the line fuses to verify that the correct values are installed.
- 5 Check that the line voltage selector is set to the customers requirements.
- 6 Check that all coaxial cables and wires inside the 8013B are properly connected. Check that all boards are properly connected and that there is good thermal contact between the power supply transistors and the rear panel heat sink.
- 7 Inform the responsible product division of any repeated failures in the above tests or any other safety features.

6-1 INTRODUCTION

6-2 This section contains the circuits, component location diagrams and the lists of replaceable parts. Waveforms shown with the circuits are included for guidance only and failure to observe identical results should not be automatically taken as indication of a fault.

6-3 ORDERING INFORMATION**6-4 General**

6-5 The replaceable parts tables give parts in alphanumerical order of their reference designators and indicate the description and HP stock number of each part, together with any applicable notes.

6-6 To order a replacement part, address order or enquiry either to your authorized Hewlett-Packard sales representative or to:

CUSTOMER SERVICE
Hewlett-Packard Company,
333 Logue Avenue,
Mountain View, California 94040

or, in Western Europe, to:

Hewlett-Packard (Schweiz) SA
Rue du Bois-du-Lan 7
1217 Meyrin 2
Geneva

6-7 Specify the following information for each part:

- a) Model and complete serial number of instrument.
- b) Hewlett-Packard stock number.
- c) Circuit reference stock number.
- d) Description.

To order a part not listed, give a complete description of the part and include its function and location.

Table 6-1. Reference Designators

A	= assembly	U	= micro-circuit
B	= motor	P	= plug
BT	= battery	Q	= transistor
C	= capacitor	R	= resistor
CP	= coupler	RT	= thermistor
CR	= diode	S	= switch
DL	= delay line	T	= transformer
DS	= lamp	TB	= terminal board
F	= fuse	V	= vacuum, tube, neon bulb, photocell, etc.
FL	= filter	VR	= voltage regulator
HR	= heater	W	= cable
J	= jack	X	= socket
K	= relay	Y	= crystal
L	= inductor	TP	= test point
M	= meter		

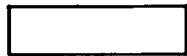
Table 6-2. Diagram Notes

Unless otherwise stated:

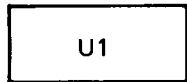
capacitance in microfarads
 inductance in microhenries
 resistance in ohms

Wiring colour code:

- 0 black
- 1 brown
- 2 red
- 3 orange
- 4 yellow
- 5 green
- 6 blue
- 7 violet
- 8 grey
- 9 white



Encloses front panel nomenclature



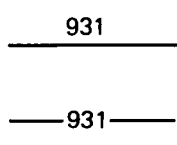
Microcircuit



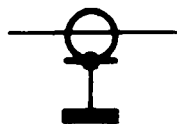
Screwdriver Adjustment



Primary Signal Path



Indicates wire colour using resistor colour code.



Coaxial cable



Chassis/Ground

P/O

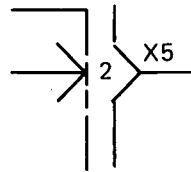
Part Of

F.S.

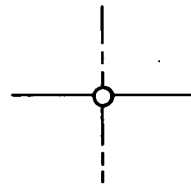
Factory Selected



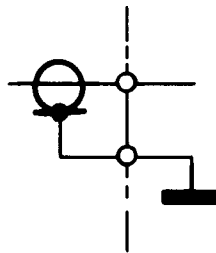
Zener Diode



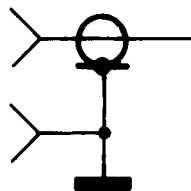
Printed circuit board edge connector and socket (X5) with pin number (2).



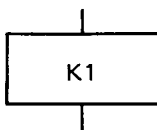
Single pin or soldered connection.



Coaxial Connector Bolt down cable bush



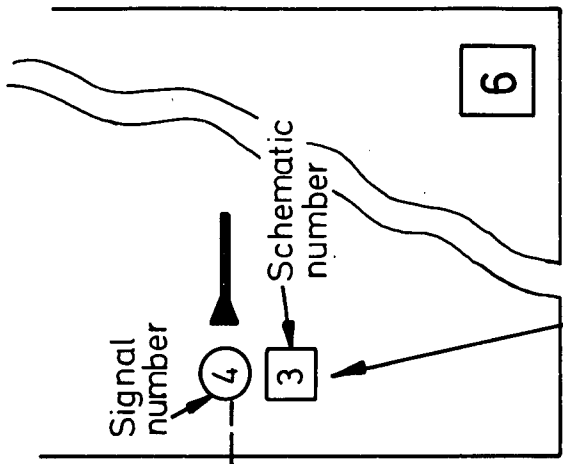
Coaxial Connector bulkhead mounted.



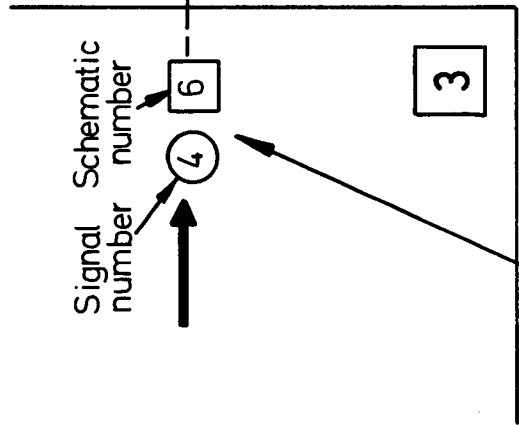
Relay

Table 6-3. Manufacturer Codes

MFR. NR.	MANUFACTURER NAME	ADDRESS	ZIP CODE
FR003	SOVCO ELECTRONIQUE	LE VESINET FRANCE	13035
0086S	STETTNER-TRUSH INC	CAZENOVIA NY	75231
01295	TEXAS INSTR INC SEMICOND CMPNT DIV	DALLAS TX	12477
02114	FERROXURE CORP	SAUGERTIES NY	85008
04713	MOTOPOLA SEMICONDUCTOR PRODUCTS	PHOENIX AZ	94040
07263	FAIRCHILD SEMICONDUCTOR DIV	MOUNTAIN VIEW CA	03820
12697	CLARSTAT MFG CO INC	DOVER NH	75247
13103	THERMALLOY CO	DALLAS TX	27604
16299	CORNING GL WK ELEC CMPNT DIV	RALEIGH NC	92705
16550	EX-CELL-O CORP REMEX DIV	SANTA ANA CA	90502
17537	LAMPS INC	TOPRENCE CA	76067
19701	MEPCO/ELECTRA CORP	MINERAL WELLS TX	14070
24226	GOWANDA ELECTRONICS CORP	GOWANDA NY	16701
24546	CORNING GLASS WORKS (BRADFORD)	BRADFORD PA	94304
28480	HEWLETT-PACKARD CO CORPORATE HQ	PALO ALTO CA	01247
56289	SPRAGUE ELECTRIC CO	NORTH ADAMS MA	63017
71400	BUSSMAN MFG DIV OF MCGRAW-HILLSON CO	ST LOUIS MO	60007
71785	TRW ELEC COMPONENTS CINCH DIV	ELK GROVE VILLAGE IL	06226
72126	ELECTRO MOTIVE MFG CO INC	WILLIMANTIC CT	92634
72138	BECKMAN INSTRUMENTS INC HELIPJT DIV	FULLERTON CA	19108
75042	TEW INC PHILADELPHIA DIV	PHILADELPHIA PA	60016
75915	LITTELFUSE INC	DES PLAINES IL	18974
79727	C-M INDUSTRIES	WAPMINSTER PA	60630
82389	SWITCHCRAFT INC	CHICAGO IL	63042
90440	AMPHENOL SALES DIV OF BUNKER-RAND	HAZELWOOD MO	



These references on a signal entering a schematic diagram indicate the signal origin. The circle contains the signal number and the square contains the number of the schematic on which that signal originates



These references on a signal leaving a schematic diagram indicate the signal destination. The circle contains the signal number and the square contains the number of the schematic to which that signal goes.

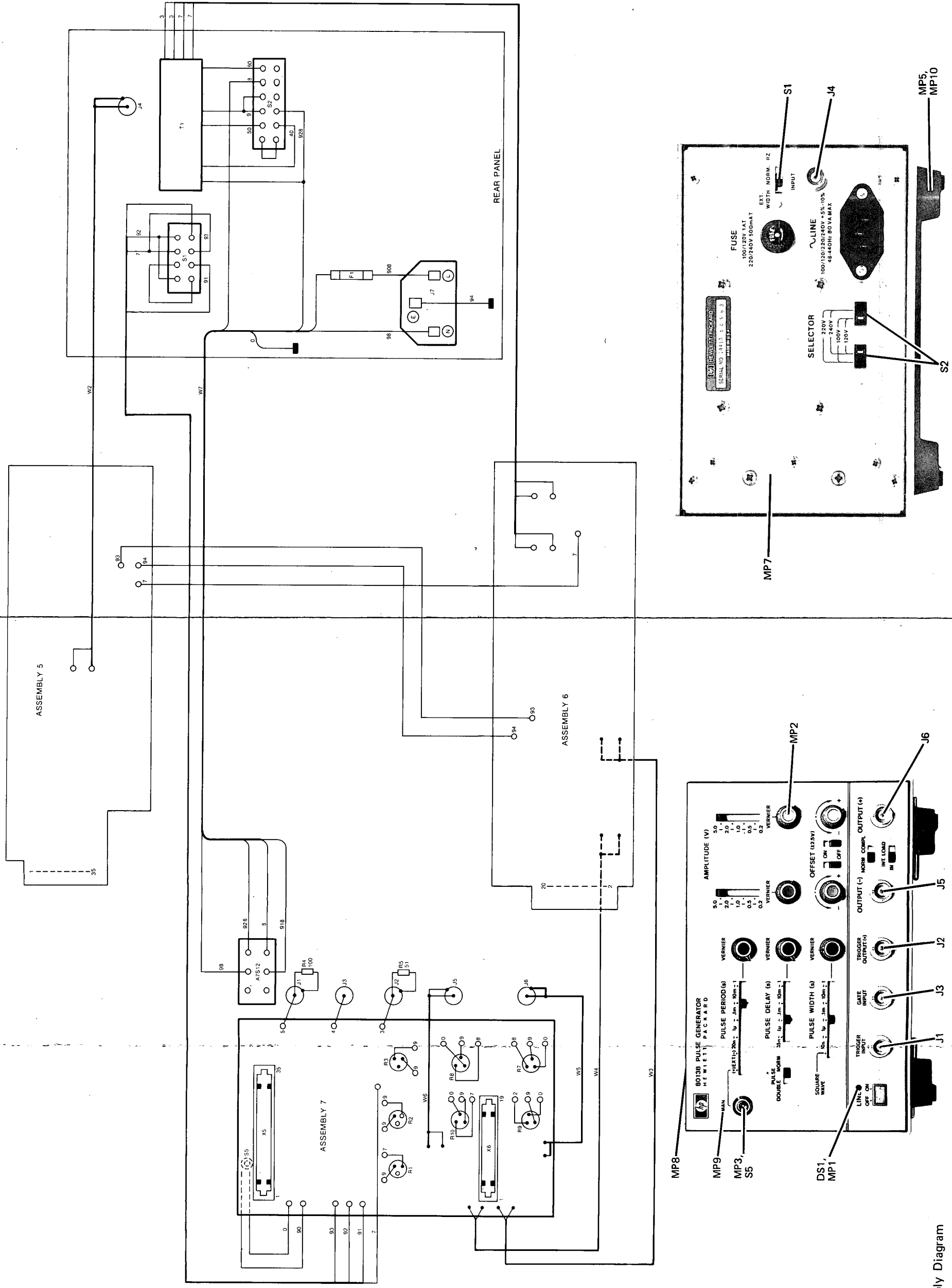
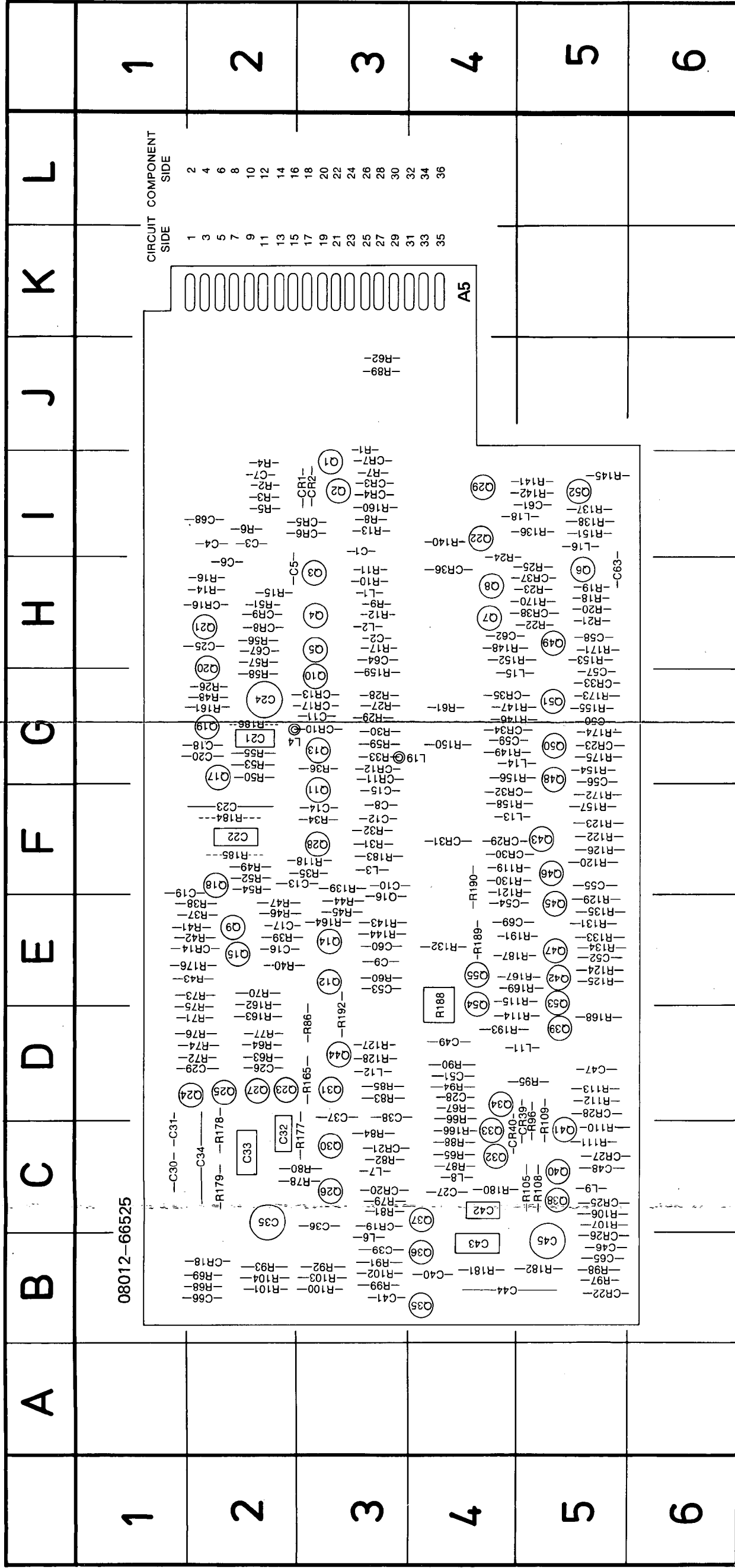


Figure 6-1. Assembly Diagram

Table 6-4. Frame Replaceable Parts List

Reference Designation	HP Part Number	Qty	Description	Mfr Code	Mfr Part Number
A5	08012-66525		BOARD ASSEMBLY, TIMING	28480	08012-66525
A6	08013-66524		BOARD ASSEMBLY, AMPLIFIER OUTPUT	28480	08013-66524
A7	08013-66525		BOARD ASSEMBLY, MOTHER	28480	08013-66525
OS1	2140-0253	1	LAMP-INCAND T-1 BULB 28V	17537	641 ANSI 68391
F1	2100-0007	1	FUSE 1A 250V SLO BLO 1.25X.25 UL	71400	MDL-1
F1	2110-0202	1	FUSE 5A 250V SLO BLO 1.25X.25 UL IEC	75915	313 500S
XF1	1400-0084	1	FUSE HOLDER EXTR POST BAY CAP 15A	28480	1400-0084
J1	1250-0118	6	CONNECTOR-RF BNC FEM SGL HOLE FR	90949	31-2221-1022
J2	1250-0118		CONNECTOR-RF BNC FEM SGL HOLE FR	90949	31-2221-1022
J3	1250-0118		CONNECTOR-RF BNC FEM SGL HOLE FR	90949	31-2221-1022
J4	1250-0118		CONNECTOR-RF BNC FEM SGL HOLE FR	90949	31-2221-1022
J5	1250-0118		CONNECTOR-RF BNC FEM SGL HOLE FR	90949	31-2221-1022
J6	1250-0118		CONNECTOR-RF BNC FEM SGL HOLE FR	90949	31-2221-1022
J7	1251-4470		CONN AC PWR MALE	28480	1251-4470
MP1	4950-0504	1	LIGHT-IND LENS CAP CLR TL LENS	28480	1490-0404
MP2	5370-1005	7	KNOB-BASE-TR .375 IN-SGK SGT-DECAL	28480	5370-1005
MP3	5040-1124	1	KNOB, PUSHBUTTON, POWER	28480	5040-1124
MP5	5040-0445	2	FOOT ASSEMBLY	28480	5040-0445
MP7	08012-00224	1	PANEL, REAR	28480	08012-00224
MP8	08012-74101	2	COVER ASSEMBLY	28480	08012-74101
MP9	08013-00223	1	PANEL, FRONT	28480	08013-00223
MP10	1460-1300	1	STAND, TILT	28480	1460-1300
R1	2100-3081	3	RESISTOR-VAR CONTROL CC 50K 10% 10CM	12697	SERIES 63M
R2	2100-3081		RESISTOR-VAR CONTROL CC 50K 10% 10CM	12697	SERIES 63M
R3	2100-3081		RESISTOR-VAR CONTROL CC 50K 10% 10CM	12697	SERIES 63M
R4	0758-0024	1	RESISTOR 100 5% .25W F TC-0+-100	24546	C5-1/4-10-101-J
R5	0758-0126	1	RESISTOR 51 5% .25W F TC-0+-100	24546	C5-1/4-10-51RO-J
R7	2100-2066	2	RESISTOR-VAR CONTROL CC 2K 20% LIN	12697	382
R8	2100-2066		RESISTOR-VAR CONTROL CC 2K 20% LIN	12697	382
R9	2100-2488	2	RESISTOR-VAR CONTROL CC 10K 20% LIN	12697	382
R10	2100-2488		RESISTOR-VAR CONTROL CC 10K 20% LIN	12697	382
S1	3101-0903	1	SWITCH-SL DP3T-NS MINTR +5A 125VAC/DC	79727	61285-0003A
S2	3101-1609	1	SWITCH-SL 2-DPDT-NS STD 1-5A 250VAC SLDR	82389	11E-1036
S5	3101-0124	1	SWITCH-PB SPST NC MOM	82389	962
T1	9100-3470	1	TRANSFORMER, POWER	28480	9100-3470
W1	8120-1378	1	POWER CORD 7.5 FEET	28480	8120-1378
W2	08012-61641	1	CABLE ASSEMBLY, SHIL INPUT	28480	08012-61641
W3	08013-61642	1	CABLE ASSEMBLY, SET SHIL	28480	08013-61642
W4	08013-61640	4	CABLE ASSEMBLY, SET SHIL	28480	08013-61640
W5	08013-61640		CABLE ASSEMBLY, SET SHIL	28480	08013-61640
W6	08012-61644		CABLE ASSEMBLY, SET SHIL	28480	08012-61644
W7	08012-61640	1	CABLE ASSEMBLY, SHIL POWER	28480	08012-61640

See table 6-3 for Manufacturer Codes



REF DESIG	GRID LOC	REF DESIG	GRID LOC	REF DESIG	GRID LOC	REF DESIG	GRID LOC	REF DESIG	GRID LOC	REF DESIG	GRID LOC	REF DESIG	GRID LOC	REF DESIG	GRID LOC	REF DESIG	GRID LOC	REF DESIG	GRID LOC								
C1	F-2	C23	H-2	CR20	C-3	L3	F-3	Q9	E-2	Q31	D-3	Q53	E-5	R20	H-5	R64	D-2	R86	D-3	R108	C-5	R132	E-4	R153	G-5	R174	G-5
C2	G-2	C24	I-2	CR21	C-3	L4	B-3	Q10	F-3	Q32	C-4	Q54	D-4	R21	H-5	R65	C-4	R87	C-4	R109	D-5	R133	E-5	R154	G-5	R175	G-5
C3	I-2	C25	E-4	CR22	B-5	L6	B-3	Q11	F-3	Q33	C-4	Q55	E-4	R22	H-5	R66	D-4	R88	C-4	R110	C-5	R134	E-5	R155	G-5	R176	C-3
C4	D-2	C26	I-3	CR23	G-5	L7	C-3	Q12	E-3	Q34	D-4	R1	J-3	R23	H-5	R67	D-4	R89	J-3	R111	C-5	R135	E-5	R156	G-4	R177	C-2
C5	H-2	C27	I-3	CR24	B-5	L8	C-4	Q13	G-3	Q35	B-4	R2	I-2	R24	H-4	R68	B-2	R90	D-4	R112	D-5	R136	I-5	R157	F-5	R178	C-2
C6	D-4	C28	I-3	CR25	C-5	L9	C-5	Q14	E-3	Q36	B-4	R3	I-2	R25	H-4	R69	B-2	R91	B-3	R113	D-5	R137	I-5	R158	F-4	R179	C-2
C7	I-2	C29	I-3	CR26	B-5	L11	D-5	Q15	E-2	Q37	C-4	R4	I-2	R26	G-2	R70	E-2	R92	B-3	R114	D-5	R138	I-5	R159	G-3	R180	C-4
C8	F-3	C30	I-3	CR27	C-5	L12	D-3	Q16	E-3	Q38	C-5	R5	I-2	R27	G-3	R71	D-2	R93	B-2	R115	E-4	R139	F-3	R160	I-3	R181	B-4
C9	E-3	C31	I-3	CR28	I-3	L13	F-4	Q17	F-2	Q39	D-5	R6	I-2	R28	G-3	R72	D-2	R94	D-4	R116	F-3	R140	I-4	R161	G-2	R182	B-5
C10	F-3	C32	H-2	CR29	F-4	L14	G-5	Q18	F-2	Q40	C-5	R7	I-3	R29	G-3	R73	E-2	R95	D-5	R117	F-4	R141	I-5	R162	F-3	R183	F-3
C11	F-3	C33	H-2	CR30	F-4	L14	G-5	Q19	G-2	Q41	C-5	R8	I-3	R30	G-3	R74	D-2	R96	D-5	R118	F-4	R142	I-5	R163	F-2	R184	F-2
C12	F-3	C34	H-2	CR31	F-4	L15	G-4	Q20	G-2	Q42	C-5	R9	I-3	R31	F-3	R75	D-2	R97	B-5	R119	F-5	R143	I-5	R164	F-2	R185	F-2
C13	F-3	C35	H-2	CR32	F-4	L16	I-5	Q21	H-2	Q43	F-5	R10	H-3	R32	F-3	R76	D-2	R98	B-5	R120	F-4	R144	I-5	R165	G-2	R186	G-2
C14	F-3	C36	G-3	CR33	G-5	L18	I-5	Q22	I-4	Q44	D-3	R11	H-3	R33	F-3	R77	D-2	R99	B-3	R121	F-4	R145	I-5	R166	G-2	R187	E-5
C15	F-3	C37	D-3	CR34	G-4	L19	G-4	Q23	D-2	Q45	E-5	R12	H-3	R34	F-3	R78	C-3	R100	B-3	R122	F-5	R146	I-5	R167	E-5	R188	E-4
C16	E-2	C38	D-3	CR35	G-4	O1	I-3	Q24	D-2	Q46	E-5	R13	H-3	R35	F-3	R79	C-3	R101	B-3	R123	F-5	R147	I-5	R168	E-5	R189	E-4
C17	E-2	C39	B-3	CR36	H-5	O2	I-3	Q25	D-2	Q47	F-5	R14	H-2	R36	F-3	R80	G-2	R102	B-2	R124	E-5	R148	H-4	R169	E-4	R190	F-4
C18	F-2	C40	B-4	CR37	H-5	O3	H-3	Q26	D-2	Q48	G-5	R15	H-2	R37	E-2	R81	C-3	R103	B-3	R125	F-5	R149	H-4	R170	E-5	R191	E-5
C19	F-2	C41	B-3	CR38	H-5	O4	H-3	Q27	D-2	Q49	H-5	R16	H-2	R38	E-2	R82	C-3	R104	B-2	R126	F-5	R150	G-4	R171	E-5	R192	D-3
C20	G-2	C42	C-4	CR39	D-5	O5	H-5	Q28	F-3	Q50	G-5	R17	H-2	R39	E-2	R83	C-3	R105	C-5	R127	D-3	R151	H-5	R172	F-5	R193	D-3
C21	G-2	C43	B-2	CR40	C-4	O6	H-5	Q29	I-4	Q51	G-5	R18	H-5	R40	E-2	R84	J-3	R106	C-5	R128	F-4	R152	I-5	R173	H-5	R193	D-3
C22	F-2	C44	B-4	L1	C-3	O7	H-4	Q30	C-3	Q52	I-5	R19	H-5	R41	E-2	R85	D-2	R107	C-5	R130	F-4	R152	H-4	R173	G-5	R193	D-4

Figure 6-2. Component Layout-Board A5

Table 6-5. Board A5 Replaceable Parts List

Reference Designation	HP Part Number	Qty	Description	Mfr Code	Mfr Part Number
A5	08012-66525	1	BOARD ASSEMBLY, TIMING	28480	08012-66525
A5C1	0150-0121	20	CAPACITOR-FXD .1UF +80-20% 50WVDC CER	28480	0150-0121
A5C2	0150-0093	47	CAPACITOR-FXD .01UF +80-20% 100WVDC CER	28480	0150-0093
A5C3	0150-0093		CAPACITOR-FXD .01UF +80-20% 100WVDC CER	28480	0150-0093
A5C4	0150-0093		CAPACITOR-FXD .01UF +80-20% 100WVDC CER	28480	0150-0093
A5C5	0160-2199	1	CAPACITOR-FXD 30PF +-5% 300WVDC MICA	28480	0160-2199
A5C6	0180-0374	6	CAPACITOR-FXD; 10UF+-10% 20VDC TA-SOLID	56289	1500106X902082
A5C7	0140-0204	1	CAPACITOR-FXD 47PF +-5% 500WVDC MICA	72136	DM15E470J0500WV1CR
A5C8	0150-0121		CAPACITOR-FXD .1UF +80-20% 50WVDC CER	28480	0150-0121
A5C9	0150-0121		CAPACITOR-FXD .1UF +80-20% 50WVDC CER	28480	0150-0121
A5C10	0150-0093		CAPACITOR-FXD .01UF +80-20% 100WVDC CER	28480	0150-0093
A5C11	0150-0093		CAPACITOR-FXD .01UF +80-20% 100WVDC CER	28480	0150-0093
A5C12	0150-0093		CAPACITOR-FXD .01UF +80-20% 100WVDC CER	28480	0150-0093
A5C13	0150-0093		CAPACITOR-FXD .01UF +80-20% 100WVDC CER	28480	0150-0093
A5C14	0160-2198	4	CAPACITOR-FXD 20PF +-5% 300WVDC MICA	28480	0160-2198
A5C15	0160-2197	1	CAPACITOR-FXD 10PF +-5% 300WVDC MICA	28480	0160-2197
A5C16	0150-0093		CAPACITOR-FXD .01UF +80-20% 100WVDC CER	28480	0150-0093
A5C17	0150-0093		CAPACITOR-FXD .01UF +80-20% 100WVDC CER	28480	0150-0093
A5C18	0150-0093		CAPACITOR-FXD .01UF +80-20% 100WVDC CER	28480	0150-0093
A5C19	0150-0093		CAPACITOR-FXD .01UF +80-20% 100WVDC CER	28480	0150-0093
A5C20	0150-0093		CAPACITOR-FXD .01UF +80-20% 100WVDC CER	28480	0150-0093
A5C21	0160-3714	1	CAPACITOR-FXD 5600PF +-10% 250WVDC MET	28480	0160-3714
A5C22	0160-3725	3	CAPACITOR-FXD .68UF +-10% 40WVDC MET	28480	0160-3725
A5C23	0180-0375	3	CAPACITOR-FXD; 68UF+-10% 20VDC TA-SOLID	56289	1500686X902082
A5C24	0121-0046	3	CAPACITOR-V TRMR-CER 9/35PF 200V PC-MTG	00865	304322 9/35PF N650
A5C25	0150-0093		CAPACITOR-FXD .01UF +80-20% 100WVDC CER	28480	0150-0093
A5C26	0150-0093		CAPACITOR-FXD .01UF +80-20% 100WVDC CER	28480	0150-0093
A5C27	0150-0093		CAPACITOR-FXD .01UF +80-20% 100WVDC CER	28480	0150-0093
A5C28	0150-0093		CAPACITOR-FXD .01UF +80-20% 100WVDC CER	28480	0150-0093
A5C29	0150-0093		CAPACITOR-FXD .01UF +80-20% 100WVDC CER	28480	0150-0093
A5C30	0150-0093		CAPACITOR-FXD .01UF +80-20% 100WVDC CER	28480	0150-0093
A5C31	0150-0093		CAPACITOR-FXD .01UF +80-20% 100WVDC CER	28480	0150-0093
A5C32	0160-3220	2	CAPACITOR-FXD 6800PF +-5% 250WVDC MET	FR009	CK8-68
A5C33	0160-3725		CAPACITOR-FXD .68UF +-10% 40WVDC MET	28480	0160-3725
A5C34	0180-0375		CAPACITOR-FXD; 68UF+-10% 20VDC TA-SOLID	56289	1500686X902082
A5C35	0121-0046		CAPACITOR-V TRMR-CER 9/35PF 200V PC-MTG	00865	304322 9/35PF N650
A5C36	0150-0121		CAPACITOR-FXD .1UF +80-20% 50WVDC CER	28480	0150-0121
A5C37	0150-0121		CAPACITOR-FXD .1UF +80-20% 50WVDC CER	28480	0150-0121
A5C38	0150-0121		CAPACITOR-FXD .1UF +80-20% 50WVDC CER	28480	0150-0121
A5C39	0150-0093		CAPACITOR-FXD .01UF +80-20% 100WVDC CER	28480	0150-0093
A5C40	0150-0093		CAPACITOR-FXD .01UF +80-20% 100WVDC CER	28480	0150-0093
A5C41	0150-0093		CAPACITOR-FXD .01UF +80-20% 100WVDC CER	28480	0150-0093
A5C42	0160-3220		CAPACITOR-FXD 6800PF +-5% 250WVDC MET	FR009	CK8-68
A5C43	0160-3725		CAPACITOR-FXD .68UF +-10% 40WVDC MET	28480	0160-3725
A5C44	0180-0375		CAPACITOR-FXD; 68UF+-10% 20VDC TA-SOLID	56289	1500686X902082
A5C45	0121-0046		CAPACITOR-V TRMR-CER 9/35PF 200V PC-MTG	00865	304322 9/35PF N650
A5C46	0150-0121		CAPACITOR-FXD .1UF +80-20% 50WVDC CER	28480	0150-0121
A5C47	0150-0121		CAPACITOR-FXD .1UF +80-20% 50WVDC CER	28480	0150-0121
A5C48	0150-0121		CAPACITOR-FXD .1UF +80-20% 50WVDC CER	28480	0150-0121
A5C49	0150-0121		CAPACITOR-FXD .1UF +80-20% 50WVDC CER	28480	0150-0121
A5C50	0140-0191	1	CAPACITOR-FXD 56PF +-5% 300WVDC MICA	72136	DM15E560J0300WV1CR
A5C51	0150-0093		CAPACITOR-FXD .01UF +80-20% 100WVDC CER	28480	0150-0093
A5C52	0150-0093		CAPACITOR-FXD .01UF +80-20% 100WVDC CER	28480	0150-0093
A5C53	0150-0093		CAPACITOR-FXD .01UF +80-20% 100WVDC CER	28480	0150-0093
A5C54	0150-0093		CAPACITOR-FXD .01UF +80-20% 100WVDC CER	28480	0150-0093
A5C55	0160-2198		CAPACITOR-FXD 20PF +-5% 300WVDC MICA	28480	0160-2198
A5C56	0150-0093		CAPACITOR-FXD .01UF +80-20% 100WVDC CER	28480	0150-0093
A5C57	0150-0093		CAPACITOR-FXD .01UF +80-20% 100WVDC CER	28480	0150-0093
A5C58	0150-0093		CAPACITOR-FXD .01UF +80-20% 100WVDC CER	28480	0150-0093
A5C59	0150-0093		CAPACITOR-FXD .01UF +80-20% 100WVDC CER	28480	0150-0093
A5C60	0150-0093		CAPACITOR-FXD .01UF +80-20% 100WVDC CER	28480	0150-0093
A5C61	0150-0093		CAPACITOR-FXD .01UF +80-20% 100WVDC CER	28480	0150-0093
A5C62	0150-0093		CAPACITOR-FXD .01UF +80-20% 100WVDC CER	28480	0150-0093
A5C63	0150-0093		CAPACITOR-FXD .01UF +80-20% 100WVDC CER	28480	0150-0093
A5C64	0160-2198		CAPACITOR-FXD 20PF +-5% 300WVDC MICA	28480	0160-2198
A5C65	0150-0093		CAPACITOR-FXD .01UF +80-20% 100WVDC CER	28480	0150-0093
A5C66	0150-0093		CAPACITOR-FXD .01UF +80-20% 100WVDC CER	28480	0150-0093
A5C68	0180-0374		CAPACITOR-FXD; 10UF+-10% 20VDC TA-SOLID	56289	1500106X902082
A5C69	0150-0093		CAPACITOR-FXD .01UF +80-20% 100WVDC CER	28480	0150-0093
A5C81	1901-0040	34	DIODE-SWITCHING 30V 50NA 2NS DO-35	28480	1901-0040
A5C82	1901-0040		DIODE-SWITCHING 30V 50NA 2NS DO-35	28480	1901-0040
A5C83	1901-0040		DIODE-SWITCHING 30V 50NA 2NS DO-35	28480	1901-0040
A5C84	1901-0040		DIODE-SWITCHING 30V 50NA 2NS DO-35	28480	1901-0040
A5C85	1901-0040		DIODE-SWITCHING 30V 50NA 2NS DO-35	28480	1901-0040

See table 6-3 for Manufacturer Codes

Table 6-5 (cont'd). Board A5 Replaceable Parts List

Reference Designation	HP Part Number	Qty	Description	Mfr Code	Mfr Part Number
A5CR6	1901-0040	1	DIODE-SWITCHING 30V 50NA 2NS DO-35	28480	1901-0040
A5CR7	1902-0037		DIODE-ZNR 9.09V 10% DO-7 PD=.4W	04713	10939-169
A5CR8	1901-0040		DIODE-SWITCHING 30V 50NA 2NS DO-35	28480	1901-0040
A5CR9	1901-0040		DIODE-SWITCHING 30V 50NA 2NS DO-35	28480	1901-0040
A5CR10	1901-0179		DIODE-SWITCHING 15V 50NA 750PS DO-7	28480	1901-0179
A5CR11	1901-0040	8	DIODE-SWITCHING 30V 50NA 2NS DO-35	28480	1901-0040
A5CR12	1901-0040		DIODE-SWITCHING 30V 50NA 2NS DO-35	28480	1901-0040
A5CR13	1901-0040		DIODE-SWITCHING 30V 50NA 2NS DO-35	28480	1901-0040
A5CR14	1901-0040		DIODE-SWITCHING 30V 50NA 2NS DO-35	28480	1901-0040
A5CR15	1901-0533		DIODE-SCHOTTKY	28480	1901-0533
A5CR16	1901-0040	2	DIODE-SWITCHING 30V 50NA 2NS DO-35	28480	1901-0040
A5CR17	1910-0022		DIODE-GE 5V 60NA 3.5NS DO-7	28480	1910-0022
A5CR18	1901-0040		DIODE-SWITCHING 30V 50NA 2NS DO-35	28480	1901-0040
A5CR19	1902-0049		DIODE-SWITCHING 30V 50NA 2NS DO-35	04713	SZ 10939-122
A5CR20	1901-0040		DIODE-SWITCHING 30V 50NA 2NS DO-35	28480	1901-0040
A5CR21	1902-0126	2	DIODE-ZNR 2.61V 5% DO-7 PD=.4W TC=-.073%	04713	SZ 10939-14
A5CR22	1901-0040		DIODE-SWITCHING 30V 50NA 2NS DO-35	28480	1901-0040
A5CR23	1902-0025		DIODE-ZNR 10V 5% DO-7 PD=.4W TC=+.06%	04713	SZ 10939-182
A5CR25	1901-0040	1	DIODE-SWITCHING 30V 50NA 2NS DO-35	28480	1901-0040
A5CR26	1902-0049		DIODE-ZNR 6.19V 5% DO-7 PD=.4W TC=+.022%	04713	SZ 10939-122
A5CR27	1902-0126		DIODE-ZNR 2.61V 5% DO-7 PD=.4W TC=-.073%	04713	SZ 10939-14
A5CR28	1910-0034		DIODE-GE 30V 80NA 8NS DO-7	28480	1910-0034
A5CR29	1901-0040		DIODE-SWITCHING 30V 50NA 2NS DO-35	28480	1901-0040
A5CR30	1901-0040	DIODE-SWITCHING 30V 50NA 2NS DO-35	28480	1901-0040	
A5CR31	1901-0040	2	DIODE-SWITCHING 30V 50NA 2NS DO-35	28480	1901-0040
A5CR32	1901-0040		DIODE-SWITCHING 30V 50NA 2NS DO-35	28480	1901-0040
A5CR33	1901-0040		DIODE-SWITCHING 30V 50NA 2NS DO-35	28480	1901-0040
A5CR34	1902-0032		DIODE-ZNR 5.49V 5% DO-7 PD=.4W TC=+.009%	04713	SZ 10939-107
A5CR35	1902-0032		DIODE-ZNR 5.49V 5% DO-7 PD=.4W TC=+.009%	04713	SZ 10939-107
A5CR36	1902-0025	1	DIODE-ZNR 10V 5% DO-7 PD=.4W TC=+.06%	04713	SZ 10939-182
A5CR37	1901-0040		DIODE-SWITCHING 30V 50NA 2NS DO-35	28480	1901-0040
A5CR38	1901-0040		DIODE-SWITCHING 30V 50NA 2NS DO-35	28480	1901-0040
A5CR39	1901-0533		DIODE-SCHOTTKY	28480	1901-0533
A5CR40	1901-0533		DIODE-SCHOTTKY	28480	1901-0533
A5L1	9100-1611	3	COIL-FXD MOLDED RF CHOKE .22UH 20%	24226	15/220
A5L2	9100-1614		COIL-FXD MOLDED RF CHOKE .82UH 10%	24226	15/820
A5L3	9100-1611		COIL-FXD MOLDED RF CHOKE .22UH 20%	24226	15/220
A5L4	9170-0029		CORE-SHIELDING BEAD	02114	56-590-65A2/4A
A5L6	9140-0179		COIL-FXD MOLDED RF CHOKE 22UH 10%	24226	15/222
A5L7	9100-1613	1	COIL-FXD MOLDED RF CHOKE .47UH 20%	24226	15/470
A5L8	9140-0094		COIL-FXD MOLDED RF CHOKE .68UH 10%	24226	15/680
A5L9	9140-0179		COIL-FXD MOLDED RF CHOKE 22UH 10%	24226	15/222
A5L11	9100-1612		COIL-FXD MOLDED RF CHOKE .33UH 20%	24226	15/330
A5L12	9140-0096		COIL-FXD MOLDED RF CHOKE 1UH 10%	24226	15/101
A5L13	9140-0096	1	COIL-FXD MOLDED RF CHOKE 1UH 10%	24226	15/101
A5L14	9100-1613		COIL-FXD MOLDED RF CHOKE .47UH 20%	24226	15/470
A5L15	9100-1613		COIL-FXD MOLDED RF CHOKE .47UH 20%	24226	15/470
A5L16	9140-0112		COIL-FXD MOLDED RF CHOKE 4.7UH 10%	24226	15/471
A5L17	9170-0029		CORE-SHIELDING BEAD	02114	56-590-65A2/4A
A5L18	9100-1614	1	COIL-FXD MOLDED RF CHOKE .82UH 10%	24226	15/820
A5L19	9170-0029		CORE-SHIELDING BEAD	02114	56-590-65A2/4A
A5MP28	1205-0037	10	HEAT-DISSIPATOR SGL TD-36 PKG	28480	1205-0037
A5MP29	1205-0037		HEAT-DISSIPATOR SGL TC-36 PKG	28480	1205-0037
A5Q1	1854-0296	2	TRANSISTOR NPN SI TD-92 PD=310MW	28480	1854-0296
A5Q2	1854-0296		TRANSISTOR NPN SI TD-92 PD=310MW	28480	1854-0296
A5Q3	1854-0092		TRANSISTOR NPN SI PD=200MW FT=600MHZ	28480	1854-0092
A5Q4	1854-0092		TRANSISTOR NPN SI PD=200MW FT=600MHZ	28480	1854-0092
A5Q5	1853-0096		TRANSISTOR PNP SI TD-18 PD=360MW	28480	1853-0096
A5Q6	1854-0019	4	TRANSISTOR NPN SI TD-18 PD=360MW	28480	1854-0019
A5Q7	1853-0034		TRANSISTOR PNP SI TD-18 PD=360MW	28480	1853-0034
A5Q8	1853-0034		TRANSISTOR PNP SI TD-18 PD=360MW	28480	1853-0034
A5Q9	1853-0218		TRANSISTOR PNP SI TD-18 PD=360MW	28430	1853-0218
A5Q10	1853-0036		TRANSISTOR PNP SI PD=310MW FT=250MHZ	28480	1853-0036
A5Q11	1853-0218	8	TRANSISTOR PNP SI TD-18 PD=360MW	28480	1853-0218
A5Q12	1853-0218		TRANSISTOR PNP SI TD-18 PD=360MW	28480	1853-0218
A5Q13	1854-0431		TRANSISTOR NPN 2N5179 SI TD-72 PD=200MW	04713	2N5179
A5Q14	1853-0218		TRANSISTOR PNP SI TD-18 PD=360MW	28480	1853-0218
A5Q15	1853-0218		TRANSISTOR PNP SI TD-18 PD=360MW	28480	1853-0218
A5Q16	1854-0009	13	TRANSISTOR NPN 2N709 SI TD-18 PD=300MW	28480	1854-0009
A5Q17	1854-0215		TRANSISTOR NPN SI PD=350MW FT=300MHZ	04713	SPS 3611
A5Q18	1854-0215		TRANSISTOR NPN SI PD=350MW FT=300MHZ	04713	SPS 3611
A5Q19	1854-C215		TRANSISTOR NPN SI PD=350MW FT=300MHZ	04713	SPS 3611
A5Q20	1854-0019		TRANSISTOR NPN SI TD-18 PD=360MW	28480	1854-0019

See table 6-3 for Manufacturer Codes

Table 6-5 (cont'd). Board A5 Replaceable Parts List

Reference Designation	HP Part Number	Qty	Description	Mfr Code	Mfr Part Number
A5Q21	1853-0036		TRANSISTOR PNP SI PD=310MW FT=250MHZ	28480	1853-0036
A5Q22	1854-0019		TRANSISTOR NPN SI TO-18 PD=360MW	28480	1854-0019
A5Q23	1853-0036		TRANSISTOR PNP SI PD=310MW FT=250MHZ	28480	1853-0036
A5Q24	1853-0036		TRANSISTOR PNP SI PD=310MW FT=250MHZ	28480	1853-0036
A5Q25	1853-0036		TRANSISTOR PNP SI PD=310MW FT=250MHZ	28480	1853-0036
A5Q26	1853-0218		TRANSISTOR PNP SI TO-18 PD=360MW	28480	1853-0218
A5Q27	1853-0036		TRANSISTOR PNP SI PD=310MW FT=250MHZ	28480	1853-0036
A5Q28	1854-0019		TRANSISTOR NPN SI TO-18 PD=360MW	28480	1854-0019
A5Q29	1853-0096		TRANSISTOR PNP SI TO-18 PD=360MW	28480	1853-0096
A5Q30	1854-0431		TRANSISTOR NPN 2N5179 SI TO-72 PD=200MW	04713	2N5179
A5Q31	1854-0431		TRANSISTOR NPN 2N5179 SI TO-72 PD=200MW	04713	2N5179
A5Q32	1853-0018	1	TRANSISTOR PNP SI TO-72 PD=200MW FT=1GHZ	28480	1853-0018
A5Q33	1853-0218		TRANSISTOR PNP SI TO-18 PD=360MW	28480	1853-0218
A5Q34	1853-0036		TRANSISTOR PNP SI PD=310MW FT=250MHZ	28480	1853-0036
A5Q35	1853-0036		TRANSISTOR PNP SI PD=310MW FT=250MHZ	28480	1853-0036
A5Q36	1853-0036		TRANSISTOR PNP SI PD=310MW FT=250MHZ	28480	1853-0036
A5Q37	1853-0036		TRANSISTOR PNP SI PD=310MW FT=250MHZ	28480	1853-0036
A5Q38	1853-0218		TRANSISTOR PNP SI TO-18 PD=360MW	28480	1853-0218
A5Q39	1853-0218		TRANSISTOR PNP SI TO-18 PD=360MW	28480	1853-0218
A5Q40	1854-0431		TRANSISTOR NPN 2N5179 SI TO-72 PD=200MW	04713	2N5179
A5Q41	1854-0431		TRANSISTOR NPN 2N5179 SI TO-72 PD=200MW	04713	2N5179
A5Q42	1854-0009		TRANSISTOR NPN 2N709 SI TO-18 PD=300MW	28480	1854-0009
A5Q43	1853-0218		TRANSISTOR PNP SI TO-18 PD=360MW	28480	1853-0218
A5Q44	1853-0015	1	TRANSISTOR PNP SI PD=200MW FT=500MHZ	28480	1853-0015
A5Q45	1854-0431		TRANSISTOR NPN 2N5179 SI TO-72 PD=200MW	04713	2N5179
A5Q46	1854-0431		TRANSISTOR NPN 2N5179 SI TO-72 PD=200MW	04713	2N5179
A5Q47	1854-0009		TRANSISTOR NPN 2N709 SI TO-18 PD=300MW	28480	1854-0009
A5Q48	1854-0215		TRANSISTOR NPN SI PD=350MW FT=300MHZ	04713	SPS 3611
A5Q49	1854-0215		TRANSISTOR NPN SI PD=350MW FT=300MHZ	04713	SPS 3611
A5Q50	1854-0092		TRANSISTOR NPN SI PD=200MW FT=600MHZ	28480	1854-0092
A5Q51	1854-0092		TRANSISTOR NPN SI PD=200MW FT=600MHZ	28480	1854-0092
A5Q52	1854-0009		TRANSISTOR NPN 2N709 SI TO-18 PD=300MW	28480	1854-0009
A5Q53	1853-0218		TRANSISTOR PNP SI TO-18 PD=360MW	28480	1853-0218
A5Q54	1853-0218	2	TRANSISTOR PNP SI TO-18 PD=360MW	28480	1853-0218
A5Q55	1853-0218		TRANSISTOR PNP SI TO-18 PD=360MW	28480	1853-0218
A5R1	0753-0024	3	RESISTOR 100 5% .25W F TC=0+-100	24546	C4-1/8-T0-101-J
A5R2	0698-0083	4	RESISTOR 1.96K 1% .125W F TC=0+-100	16299	C4-1/8-T0-1961-F
A5R3	0698-0083		RESISTOR 1.96K 1% .125W F TC=0+-100	16299	C4-1/8-T0-1961-F
A5R4	0757-0276	1	RESISTOR 61.9 1% .125W F TC=0+-100	24546	C4-1/8-T0-6192-F
A5R5	0698-3443	2	RESISTOR 287 1% .125W F TC=0+-100	16299	C4-1/8-T0-287R-F
A5R6	0698-3443		RESISTOR 287 1% .125W F TC=0+-100	16299	C4-1/8-T0-287R-F
A5R7	0757-0448	3	RESISTOR 18.2K 1% .125W F TC=0+-100	24546	C4-1/8-T0-1822-F
A5R8	0757-1094	3	RESISTOR 1.47K 1% .125W F TC=0+-100	24546	C4-1/8-T0-1471-F
A5R9	0757-0401	14	RESISTOR 100 1% .125W F TC=0+-100	24546	C4-1/8-T0-101-F
A5R10	0757-0400	3	RESISTOR 90.9 1% .125W F TC=0+-100	24546	C4-1/8-T0-9093-F
A5R11	0757-0421	3	RESISTOR 825 1% .125W F TC=0+-100	24546	C4-1/8-T0-825R-F
A5R12	0757-0282	2	RESISTOR 221 1% .125W F TC=0+-100	24546	C4-1/8-T0-221R-F
A5R13	0757-0420	4	RESISTOR 750 1% .125W F TC=0+-100	24546	C4-1/8-T0-751-F
A5R14	0757-0426	3	RESISTOR 1.3K 1% .125W F TC=0+-100	24546	C4-1/8-T0-1301-F
A5R15	0698-4426	1	RESISTOR 1.58K 1% .125W F TC=0+-100	16299	C4-1/8-T0-1581-F
A5R16	0757-0407	7	RESISTOR 200 1% .125W F TC=0+-100	24546	C4-1/8-T0-201-F
A5R17	0757-0395	3	RESISTOR 56.2 1% .125W F TC=0+-100	24546	C4-1/8-T0-56R2-F
A5R18	0757-0442	11	RESISTOR 10K 1% .125W F TC=0+-100	24546	C4-1/8-T0-1002-F
A5R19	0757-0399	3	RESISTOR 82.5 1% .125W F TC=0+-100	24546	C4-1/8-T0-82R5-F
A5R20	0757-0409	4	RESISTOR 274 1% .125W F TC=0+-100	24546	C4-1/8-T0-274R-F
A5R21	0757-0424	5	RESISTOR 1.1K 1% .125W F TC=0+-100	24546	C4-1/8-T0-1101-F
A5R22	0757-0448		RESISTOR 18.2K 1% .125W F TC=0+-100	24546	C4-1/8-T0-1822-F
A5R23	0757-0283	1	RESISTOR 2K 1% .125W F TC=0+-100	24546	C4-1/8-T0-2001-F
A5R24	0757-0428	2	RESISTOR 1.62K 1% .125W F TC=0+-100	24546	C4-1/8-T0-1621-F
A5R25	0757-0406	2	RESISTOR 182 1% .125W F TC=0+-100	24546	C4-1/8-T0-182R-F
A5R26	0757-0443	4	RESISTOR 11K 1% .125W F TC=0+-100	24546	C4-1/8-T0-1102-F
A5R27	0757-0442		RESISTOR 10K 1% .125W F TC=0+-100	24546	C4-1/8-T0-1002-F
A5R28	0757-0442		RESISTOR 10K 1% .125W F TC=0+-100	24546	C4-1/8-T0-1002-F
A5R29	0757-0274	11	RESISTOR 1.21K 1% .125W F TC=0+-100	24546	C4-1/8-T0-1213-F
A5R30	0757-0273	4	RESISTOR 3.01K 1% .125W F TC=0+-100	24546	C4-1/8-T0-3011-F
A5R31	0757-0428		RESISTOR 1.62K 1% .125W F TC=0+-100	24546	C4-1/8-T0-1621-F
A5R32	0698-0085	1	RESISTOR 2.61K 1% .125W F TC=0+-100	16299	C4-1/8-T0-2611-F
A5R33	0757-0404	4	RESISTOR 130 1% .125W F TC=0+-100	24546	C4-1/8-T0-131-F
A5R34	0757-0401		RESISTOR 100 1% .125W F TC=0+-100	24546	C4-1/8-T0-101-F
A5R36	0757-0404		RESISTOR 130 1% .125W F TC=0+-100	24546	C4-1/8-T0-131-F
A5F37	0698-3151	1	RESISTOR 2.87K 1% .125W F TC=0+-100	16299	C4-1/8-T0-2871-F
A5F38	0698-0084	7	RESISTOR 2.15K 1% .125W F TC=0+-100	16299	C4-1/8-T0-2151-F
A5F39	0757-0438	12	RESISTOR 5.11K 1% .125W F TC=0+-100	24546	C4-1/8-T0-5111-F
A5F40	0757-0420		RESISTOR 750 1% .125W F TC=0+-100	24546	C4-1/8-T0-751-F
A5F41	0757-0421		RESISTOR 825 1% .125W F TC=0+-100	24546	C4-1/8-T0-825R-F

See table 6-3 for Manufacturer Codes

Table 6-5 (cont'd). Board A5 Replaceable Parts List

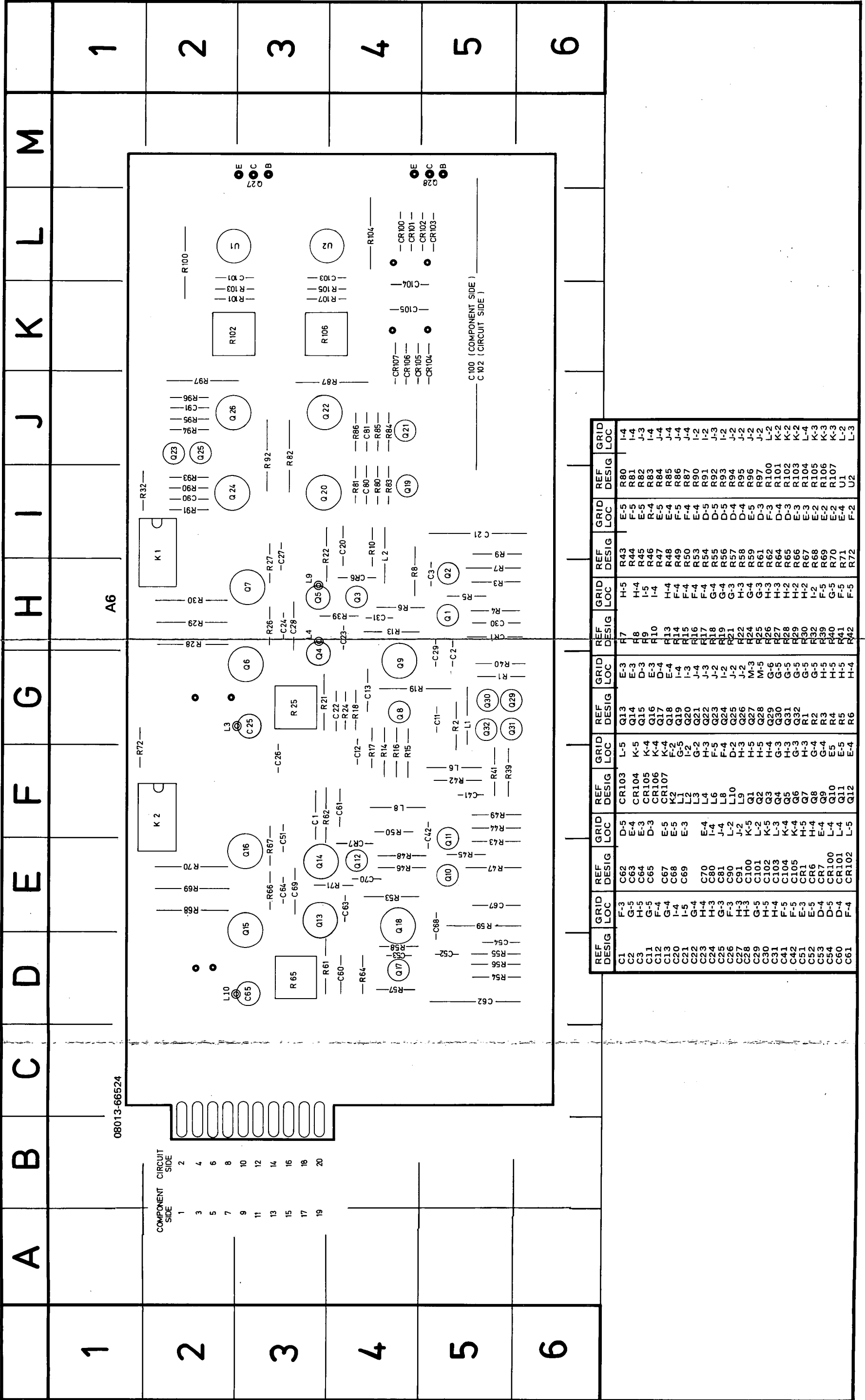
Reference Designation	HP Part Number	Qty	Description	Mfr Code	Mfr Part Number
A5R42	0757-0401	2	RESISTOR 100 1% .125W F TC=0+-100	24546	C4-1/8-T0-101-F
A5P43	0757-0401		RESISTOR 100 1% .125W F TC=0+-100	24546	C4-1/8-T0-101-F
A5R44	J757-0403		RESISTOR 121 1% .125W F TC=0+-100	24546	C4-1/8-T0-121R-F
A5R45	0757-0407		RESISTOR 200 1% .125W F TC=0+-100	24546	C4-1/8-T0-201-F
A5R46	0698-0084		RESISTOR 2.19K 1% .125W F TC=0+-100	16299	C4-1/8-T0-2151-F
A5R47	0757-0274	1	RESISTOR 1.21K 1% .125W F TC=0+-100	24546	C4-1/8-T0-1213-F
A5P48	0757-0438		RESISTOR 5.11K 1% .125W F TC=0+-100	24546	C4-1/8-T0-5111-F
A5R49	0757-0438		RESISTOR 5.11K 1% .125W F TC=0+-100	24546	C4-1/8-T0-5111-F
A5R50	0757-0438		RESISTOR 5.11K 1% .125W F TC=0+-100	24546	C4-1/8-T0-5111-F
A5R51	0757-0439		RESISTOR 6.81K 1% .125W F TC=0+-100	24546	C4-1/8-T0-6811-F
A5R52	0757-0443	3	RESISTOR 11K 1% .125W F TC=0+-100	24546	C4-1/8-T0-1102-F
A5R53	0757-0443		RESISTOR 11K 1% .125W F TC=0+-100	24546	C4-1/8-T0-1102-F
A5R54	0757-0274		RESISTOR 1.21K 1% .125W F TC=0+-100	24546	C4-1/8-T0-1213-F
A5R55	0757-0274		RESISTOR 1.21K 1% .125W F TC=0+-100	24546	C4-1/8-T0-1213-F
A5R56	0757-0417		RESISTOR 562 1% .125W F TC=0+-100	24546	C4-1/8-T0-562R-F
A5R57	0757-0438	2	RESISTOR 5.11K 1% .125W F TC=0+-100	24546	C4-1/8-T0-5111-F
A5R58	0757-0433		RESISTOR 3.32K 1% .125W F TC=0+-100	24546	C4-1/8-T0-3321-F
A5R59	0757-0427		RESISTOR 1.5K 1% .125W F TC=0+-100	24546	C4-1/8-T0-1501-F
A5R60	0757-0273		RESISTOR 3.01K 1% .125W F TC=0+-100	24546	C4-1/8-T0-3011-F
A5R61	0757-0273		RESISTOR 3.01K 1% .125W F TC=0+-100	24546	C4-1/8-T0-3011-F
A5R62	0757-0391	1	RESISTOR 39.2 1% .125W F TC=0+-100	24546	C4-1/8-T0-39R2-F
A5R63	0698-3439		RESISTOR 178 1% .125W F TC=0+-100	16299	C4-1/8-T0-178R-F
A5R64	0698-0084		RESISTOR 2.15K 1% .125W F TC=0+-100	16299	C4-1/8-T0-2151-F
A5R65	0757-0429		RESISTOR 1.82K 1% .125W F TC=0+-100	24546	C4-1/8-T0-1821-F
A5R66	0757-0447		RESISTOR 16.2K 1% .125W F TC=0+-100	24546	C4-1/8-T0-1622-F
A5R67	0757-0917	3	RESISTOR 510 2% .125W F TC=0+-100	24546	C4-1/8-T0-511-G
A5R68	0757-0278		RESISTOR 1.78K 1% .125W F TC=0+-100	24546	C4-1/8-T0-1781-F
A5R69	0698-0084		RESISTOR 2.15K 1% .125W F TC=0+-100	16299	C4-1/8-T0-2151-F
A5R70	0698-3492		RESISTOR 2.67K 1% .125W F TC=0+-100	16299	C4-1/8-T0-2671-F
A5R71	0698-3492		RESISTOR 2.67K 1% .125W F TC=0+-100	16299	C4-1/8-T0-2671-F
A5R72	0698-3492	6	RESISTOR 2.67K 1% .125W F TC=0+-100	16299	C4-1/8-T0-2671-F
A5R73	0698-3158		RESISTOR 23.7K 1% .125W F TC=0+-100	16299	C4-1/8-T0-2372-F
A5R74	0698-3158		RESISTOR 23.7K 1% .125W F TC=0+-100	16299	C4-1/8-T0-2372-F
A5R75	0757-0438		RESISTOR 5.11K 1% .125W F TC=0+-100	24546	C4-1/8-T0-5111-F
A5R76	0757-0438		RESISTOR 5.11K 1% .125W F TC=0+-100	24546	C4-1/8-T0-5111-F
A5R77	0757-0290	4	RESISTOR 6.19K 1% .125W F TC=0+-100	19701	MF4C1/8-T0-6191-F
A5R78	0757-0390		RESISTOR 36.5 1% .125W F TC=0+-100	24546	C4-1/8-T0-36R5-F
A5R79	0757-0393		RESISTOR 47.5 1% .125W F TC=0+-100	24546	C4-1/8-T0-47R5-F
A5R80	0757-0390		RESISTOR 36.5 1% .125W F TC=0+-100	24546	C4-1/8-T0-36R5-F
A5R81	0757-0427		RESISTOR 1.5K 1% .125W F TC=0+-100	24546	C4-1/8-T0-1501-F
A5R82	0757-0409	2	RESISTOR 274 1% .125W F TC=0+-100	24546	C4-1/8-T0-274R-F
A5R83	0757-0404		RESISTOR 130 1% .125W F TC=0+-100	24546	C4-1/8-T0-131-F
A5R84	0757-0727		RESISTOR 562 1% .25W F TUBULAR	24546	C5-1/4-T0-562R-F
A5R85	0757-0429		RESISTOR 1.82K 1% .125W F TC=0+-100	24546	C4-1/8-T0-1821-F
A5R86	0757-0284		RESISTOR 150 1% .125W F TC=0+-100	24546	C4-1/8-T0-151-F
A5R87	0757-0284	3	RESISTOR 150 1% .125W F TC=0+-100	24546	C4-1/8-T0-151-F
A5R88	0757-0282		RESISTOR 221 1% .125W F TC=0+-100	24546	C4-1/8-T0-221R-F
A5R89	0757-0389		RESISTOR 33.2 1% .125W F TC=0+-100	24546	C4-1/8-T0-33R2-F
A5R90	0698-3438		RESISTOR 147 1% .125W F TC=0+-100	16299	C4-1/8-T0-147R-F
A5R91	0698-3158		RESISTOR 23.7K 1% .125W F TC=0+-100	16299	C4-1/8-T0-2372-F
A5R92	0698-3158	1	RESISTOR 23.7K 1% .125W F TC=0+-100	16299	C4-1/8-T0-2372-F
A5R93	0698-3158		RESISTOR 23.7K 1% .125W F TC=0+-100	16299	C4-1/8-T0-2372-F
A5R94	0698-4424		RESISTOR 1.4K 1% .125W F TC=0+-100	16299	C4-1/8-T0-1401-F
A5R95	0757-0290		RESISTOR 6.19K 1% .125W F TC=0+-100	19701	MF4C1/8-T0-6191-F
A5R96	0757-0401		RESISTOR 100 1% .125W F TC=0+-100	24546	C4-1/8-T0-101-F
A5R97	0757-0278	1	RESISTOR 1.78K 1% .125W F TC=0+-100	24546	C4-1/8-T0-1781-F
A5R98	0698-0084		RESISTOR 2.15K 1% .125W F TC=0+-100	16299	C4-1/8-T0-2151-F
A5R99	0757-0438		RESISTOR 5.11K 1% .125W F TC=0+-100	24546	C4-1/8-T0-5111-F
A5R100	0757-0438		RESISTOR 5.11K 1% .125W F TC=0+-100	24546	C4-1/8-T0-5111-F
A5R101	0757-0438		RESISTOR 5.11K 1% .125W F TC=0+-100	24546	C4-1/8-T0-5111-F
A5R102	0698-3492	1	RESISTOR 2.67K 1% .125W F TC=0+-100	16299	C4-1/8-T0-2671-F
A5R103	0698-3492		RESISTOR 2.67K 1% .125W F TC=0+-100	16299	C4-1/8-T0-2671-F
A5R104	0698-3492		RESISTOR 2.67K 1% .125W F TC=0+-100	16299	C4-1/8-T0-2671-F
A5R105	0757-0390		RESISTOR 36.5 1% .125W F TC=0+-100	24546	C4-1/8-T0-36R5-F
A5R106	0757-0393		RESISTOR 47.5 1% .125W F TC=0+-100	24546	C4-1/8-T0-47R5-F
A5R107	0757-0427	1	RESISTOR 1.5K 1% .125W F TC=0+-100	24546	C4-1/8-T0-1501-F
A5R108	0757-0390		RESISTOR 36.5 1% .125W F TC=0+-100	24546	C4-1/8-T0-36R5-F
A5R109	0757-0409		RESISTOR 274 1% .125W F TC=0+-100	24546	C4-1/8-T0-274R-F
A5R110	0757-0404		RESISTOR 130 1% .125W F TC=0+-100	24546	C4-1/8-T0-131-F
A5R111	0757-0727		RESISTOR 562 1% .25W F TUBULAR	24546	C5-1/4-T0-562R-F
A5R112	0757-0442	1	RESISTOR 10K 1% .125W F TC=0+-100	24546	C4-1/8-T0-1002-F
A5R113	0757-0429		RESISTOR 1.82K 1% .125W F TC=0+-100	24546	C4-1/8-T0-1821-F
A5R114	0757-0401		RESISTOR 100 1% .125W F TC=0+-100	24546	C4-1/8-T0-101-F
A5R115	0757-0394		RESISTOR 51.1 1% .125W F TC=0+-100	24546	C4-1/8-T0-51R1-F

See table 6-3 for Manufacturer Codes

Table 6-5 (cont'd). Board A5 Replaceable Parts List

Reference Designation	HP Part Number	Qty	Description	Mfr Code	Mfr Part Number
ASR118	0757-0346	9	RESISTOR 10 1% .125W F TC=0+-100	24546	CA-1/8-T0-10R0-F
ASR119	0698-3492		RESISTOR 2.67K 1% .125W F TC=0+-100	16299	CA-1/8-T0-2671-F
ASR120	0758-0126	2	RESISTOR 51 5% .25W F TC=0+-100	24546	CA-1/4-T0-51R0-J
ASR121	0757-0407		RESISTOR 200 1% .125W F TC=0+-100	24546	CA-1/8-T0-201-F
ASR122	0757-0419	2	RESISTOR 681 1% .125W F TC=0+-100	24546	CA-1/8-T0-681R-F
ASR123	0757-0419		RESISTOR 681 1% .125W F TC=0+-100	24546	CA-1/8-T0-681R-F
ASR124	0757-0280	10	RESISTOR 1K 1% .125W F TC=0+-100	24546	CA-1/8-T0-1001-F
ASR125	0757-0437	4	RESISTOR 4.75K 1% .125W F TC=0+-100	24546	CA-1/8-T0-4751-F
ASR126	0757-0405	3	RESISTOR 162 1% .125W F TC=0+-100	24546	CA-1/8-T0-162R-F
ASR127	0757-0399		RESISTOR 82.5 1% .125W F TC=0+-100	24546	CA-1/8-T0-82R5-F
ASR128	0757-0411	4	RESISTOR 332 1% .125W F TC=0+-100	24546	CA-1/8-T0-332R-F
ASR129	0757-0424		RESISTOR 1.1K 1% .125W F TC=0+-100	24546	CA-1/8-T0-1101-F
ASR130	0757-0420		RESISTOR 750 1% .125W F TC=0+-100	24546	CA-1/8-T0-751-F
ASR131	0757-0278		RESISTOR 1.78K 1% .125W F TC=0+-100	24546	CA-1/8-T0-1781-F
ASR132	0757-0438		RESISTOR 5.11K 1% .125W F TC=0+-100	24546	CA-1/8-T0-5111-F
ASR133	0757-0426		RESISTOR 1.3K 1% .125W F TC=0+-100	24546	CA-1/8-T0-1301-F
ASR134	0757-0407		RESISTOR 200 1% .125W F TC=0+-100	24546	CA-1/8-T0-201-F
ASR135	0757-0436	1	RESISTOR 4.32K 1% .125W F TC=0+-100	24546	CA-1/8-T0-4321-F
ASR136	0757-0409		RESISTOR 274 1% .125W F TC=0+-100	24546	CA-1/8-T0-274R-F
ASR137	0757-0430	1	RESISTOR 2.21K 1% .125W F TC=0+-100	24546	CA-1/8-T0-2211-F
ASR138	0757-0274		RESISTOR 1.21K 1% .125W F TC=0+-100	24546	CA-1/8-T0-1213-F
ASR139	0757-0401		RESISTOR 100 1% .125W F TC=0+-100	24546	CA-1/8-T0-101-F
ASR140	0757-0401		RESISTOR 100 1% .125W F TC=0+-100	24546	CA-1/8-T0-101-F
ASR141	0757-0816	1	RESISTOR 470.2% .125W F TC=0+-100	24546	CA-1/8-T0-470R-F
ASR142	0757-0388	9	RESISTOR 30.1 1% .125W F TC=0+-100	24546	CA-1/8-T0-30R1-F
ASR143	0757-0437		RESISTOR 4.75K 1% .125W F TC=0+-100	24546	CA-1/8-T0-4751-F
ASR144	0757-0280		RESISTOR 1K 1% .125W F TC=0+-100	24546	CA-1/8-T0-1001-F
ASR145	0757-0406		RESISTOR 182 1% .125W F TC=0+-100	24546	CA-1/8-T0-182R-F
ASR146	0757-1094		RESISTOR 1.47K 1% .125W F TC=0+-100	24546	CA-1/8-T0-1471-F
ASR147	0757-1094		RESISTOR 1.47K 1% .125W F TC=0+-100	24546	CA-1/8-T0-1471-F
ASR148	0757-0401		RESISTOR 100 1% .125W F TC=0+-100	24546	CA-1/8-T0-101-F
ASR149	0757-0401		RESISTOR 100 1% .125W F TC=0+-100	24546	CA-1/8-T0-101-F
ASR150	0757-0366		RESISTOR 10 1% .125W F TC=0+-100	24546	CA-1/8-T0-10R0-F
ASR151	0757-0414	1	RESISTOR 432 1% .125W F TC=0+-100	24546	CA-1/8-T0-432R-F
ASR152	0757-0398	3	RESISTOR 75 1% .125W F TC=0+-100	24546	CA-1/8-T0-75R0-F
ASR153	0757-0424		RESISTOR 1.1K 1% .125W F TC=0+-100	24546	CA-1/8-T0-1101-F
ASR154	0757-0424		RESISTOR 1.1K 1% .125W F TC=0+-100	24546	CA-1/8-T0-1101-F
ASR155	0757-0280		RESISTOR 1K 1% .125W F TC=0+-100	24546	CA-1/8-T0-1001-F
ASR156	0757-0398		RESISTOR 75 1% .125W F TC=0+-100	24546	CA-1/8-T0-75R0-F
ASR157	0757-0280		RESISTOR 1K 1% .125W F TC=0+-100	24546	CA-1/8-T0-1001-F
ASR158	0757-0433		RESISTOR 3.32K 1% .125W F TC=0+-100	24546	CA-1/8-T0-3321-F
ASR159	0757-0384	5	RESISTOR 20 1% .125W F TC=0+-100	19701	MF4C1/8-T0-20R0-F
ASR160	0757-0401		RESISTOR 100 1% .125W F TC=0+-100	24546	CA-1/8-T0-101-F
ASR161	0757-0274		RESISTOR 1.21K 1% .125W F TC=0+-100	24546	CA-1/8-T0-1213-F
ASR162	0698-3158		RESISTOR 23.7K 1% .125W F TC=0+-100	16299	CA-1/8-T0-2372-F
ASR163	0757-0346		RESISTOR 5.11K 1% .125W F TC=0+-100	24546	CA-1/8-T0-5111-F
ASR164	0757-0346		RESISTOR 10 1% .125W F TC=0+-100	24546	CA-1/8-T0-10R0-F
ASR165	0757-0346		RESISTOR 10 1% .125W F TC=0+-100	24546	CA-1/8-T0-10R0-F
ASR166	0757-0401		RESISTOR 100 1% .125W F TC=0+-100	24546	CA-1/8-T0-101-F
ASR167	0757-0407		RESISTOR 200 1% .125W F TC=0+-100	24546	CA-1/8-T0-201-F
ASR168	0757-0279	1	RESISTOR 3.16K 1% .125W F TC=0+-100	24546	CA-1/8-T0-3161-F
ASR169	0757-0422	2	RESISTOR 909 1% .125W F TC=0+-100	24546	CA-1/8-T0-909R-F
ASR170	0757-0346		RESISTOR 10 1% .125W F TC=0+-100	24546	CA-1/8-T0-10R0-F
ASR171	0757-0346		RESISTOR 10 1% .125W F TC=0+-100	24546	CA-1/8-T0-10R0-F
ASR172	0757-0346		RESISTOR 10 1% .125W F TC=0+-100	24546	CA-1/8-T0-10R0-F
ASR173	0757-0395		RESISTOR 56.2 1% .125W F TC=0+-100	24546	CA-1/8-T0-56R2-F
ASR174	0757-0407		RESISTOR 200 1% .125W F TC=0+-100	24546	CA-1/8-T0-201-F
ASR175	0757-0290		RESISTOR 6.19K 1% .125W F TC=0+-100	19701	MF4C1/8-T0-6191-F
ASR176	0757-0408	4	RESISTOR 243 1% .125W F TC=0+-100	24546	CA-1/8-T0-243R-F
ASR177	0693-1055	9	RESISTOR 1M 5% .25W FC TC=800/+900	01121	CB1055
ASR178	0693-1055		RESISTOR 1M 5% .25W FC TC=800/+900	01121	CB1055
ASR179	0693-1055		RESISTOR 1M 5% .25W FC TC=800/+900	01121	CB1055
ASR180	0693-1055		RESISTOR 1M 5% .25W FC TC=800/+900	01121	CB1055
ASR181	0693-1055		RESISTOR 1M 5% .25W FC TC=800/+900	01121	CB1055
ASR182	0693-1055		RESISTOR 1M 5% .25W FC TC=800/+900	01121	CB1055
ASR183	0693-1055		RESISTOR 30.1 1% .125W F TC=0+-100	24546	CA-1/8-T0-30R1-F
ASR184	0693-1055		RESISTOR 1M 5% .25W FC TC=800/+900	01121	CB1055
ASR185	0693-1055		RESISTOR 1M 5% .25W FC TC=800/+900	01121	CB1055
ASR186	0693-1055		RESISTOR 1M 5% .25W FC TC=800/+900	01121	CB1055
ASR187	0757-0422		RESISTOR 909 1% .125W F TC=0+-100	24546	CA-1/8-T0-909R-F
ASR188	2100-0554	5	RESISTOR-VAR 500 OHM 10% C TOP ADJ	72PK500	
ASR189	0757-0388		RESISTOR 30.1 1% .125W F TC=0+-100	24546	CA-1/8-T0-30R1-F
ASR190	0757-0408		RESISTOR 243 1% .125W F TC=0+-100	24546	CA-1/8-T0-243R-F
ASR191	0757-0408		RESISTOR 243 1% .125W F TC=0+-100	24546	CA-1/8-T0-243R-F
ASR192	0757-0401		RESISTOR 100 1% .125W F TC=0+-100	24546	CA-1/8-T0-101-F
ASR193	0757-0724	1	RESISTOR 1.21K 1% .125W F TUBULAR	16299	CA-1/8-T0-1211-F

See table 6-3 for Manufacturer Codes



REF DESIG	GRID LOC	REF DESIG	GRID LOC	REF DESIG	GRID LOC	REF DESIG	GRID LOC	REF DESIG	GRID LOC	REF DESIG	GRID LOC
C1	F-3	C62	D-5	CR103	L-5	Q13	E-3	R43	H-5	R80	I-4
C2	G-5	C63	E-4	CR104	K-5	Q14	E-3	R44	H-4	R81	I-4
C3	H-5	C64	E-3	CR105	K-4	Q15	D-3	R45	I-5	R82	J-3
C11	G-5	C65	D-3	CR106	K-4	Q16	D-3	R46	I-4	R83	J-4
C12	F-4	C66	E-5	CR107	K-4	Q17	E-4	R47	H-4	R84	J-4
C13	G-4	C67	E-5	K2	F-2	Q18	E-4	R48	H-4	R85	J-4
C20	I-4	C68	E-5	L1	G-5	Q19	I-3	R49	F-4	R86	J-4
C21	I-5	C69	E-3	L2	I-2	Q20	I-3	R50	F-4	R87	J-4
C22	G-4	C70	E-4	L3	G-2	Q21	J-4	R51	F-4	R88	J-4
C23	H-4	C81	J-4	L4	H-3	Q22	J-3	R52	F-4	R89	J-2
C24	H-3	C81	J-4	L6	F-5	Q23	J-2	R53	D-5	R90	I-2
C25	G-3	C81	J-4	L8	F-4	Q24	J-2	R54	D-5	R91	I-2
C26	F-3	C90	L-2	L9	D-2	Q25	J-2	R55	D-5	R92	J-3
C27	H-3	C91	L-2	L10	H-3	Q26	J-2	R56	D-4	R93	I-2
C28	H-3	C91	L-2	L10	H-3	Q27	J-2	R57	D-4	R94	J-2
C29	G-5	C100	K-5	Q1	M-3	Q28	M-3	R58	D-4	R95	J-2
C30	H-5	C101	L-2	Q2	H-5	Q29	H-3	R59	E-5	R96	J-2
C31	H-4	C102	K-5	Q3	H-4	Q30	H-3	R60	D-3	R97	J-2
C41	F-5	C103	K-4	Q4	H-4	Q31	G-5	R61	F-3	R100	L-2
C42	F-5	C104	K-4	Q5	H-3	Q32	G-5	R62	F-3	R101	K-2
C51	E-3	C105	K-4	Q6	H-3	Q33	G-5	R63	D-4	R102	K-2
C52	E-3	CR1	H-5	Q7	H-3	Q34	G-5	R64	D-4	R103	K-2
C53	D-4	CR2	H-4	Q8	G-4	Q35	G-5	R65	D-3	R104	L-4
C54	D-5	CR3	H-4	Q9	G-4	Q36	G-5	R66	D-3	R105	K-3
C60	D-4	CR100	L-4	Q10	E-5	Q37	H-5	R67	E-2	R106	K-3
C61	F-4	CR101	L-4	Q11	E-5	Q38	H-5	R68	E-2	R107	K-3
		CR102	L-5	Q12	E-4	Q39	H-4	R69	E-2	U1	L-2
						Q40	H-4	R70	F-2	U2	L-3

Figure 6-3. Component Layout - Board A6

Table 6-6 Board A6 Replaceable Parts List

Reference Designation	HP Part Number	Qty	Description	Mfr Code	Mfr Part Number
A6	08013-66524	1	BOARD ASSEMBLY, AMPLIFIER OUTPUT	28480	08013-66524
A6C1	0140-0204	1	CAPACITOR-FXD 47PF +-5% 500WVDC MICA	72136	DM15E470J0500WV1CR
A6C1	0160-0356	2	CAPACITOR-FXD 18PF +-5% 300WVDC MICA	28480	0160-0356
A6C1	0160-2306	3	CAPACITOR-FXD 27PF +-5% 300WVDC MICA	28480	0160-2306
A6C2	0150-0050	2	CAPACITOR-FXD 1000PF +80-20% 1000WVDC	28480	0150-0050
A6C3	0160-2306	2	CAPACITOR-FXD 27PF +-5% 300WVDC MICA	28480	0160-2306
A6C11	0150-0093	12	CAPACITOR-FXD .01UF +80-20% 100WVDC CER	28480	0150-0093
A6C12	0150-0093		CAPACITOR-FXD .01UF +80-20% 100WVDC CER	28480	0150-0093
A6C13	0160-0174	10	CAPACITOR-FXD .47UF +80-20% 25WVDC CER	28480	0160-0174
A6C20	0160-0174		CAPACITOR-FXD .47UF +80-20% 25WVDC CER	28480	0160-0174
A6C21	0180-0098	2	CAPACITOR-FXD: 100UF+-20% 20VDC TA	56289	150D107X0020S2
A6C22	0160-0174		CAPACITOR-FXD .47UF +80-20% 25WVDC CER	28480	0160-0174
A6C23	0150-0093		CAPACITOR-FXD .01UF +80-20% 100WVDC CER	28480	0150-0093
A6C24	0150-0093		CAPACITOR-FXD .01UF +80-20% 100WVDC CER	28480	0150-0093
A6C25	0121-0046	2	CAPACITOR-V TRMR-CER 9/35PF 200V PC-MTG	00865	304322 9/35PF N650
A6C26	0160-0356		CAPACITOR-FXD 18PF +-5% 300WVDC MICA	28480	0160-0356
A6C27	0150-0093		CAPACITOR-FXD .01UF +80-20% 100WVDC CER	28480	0150-0093
A6C28	0180-0291	4	CAPACITOR-FXD: 1UF+-10% 35VDC TA-SOLID	56289	150D105X9035A2
A6C29	0150-0093		CAPACITOR-FXD .01UF +80-20% 100WVDC CER	28480	0150-0093
A6C30	0180-0291		CAPACITOR-FXD: 1UF+-10% 35VDC TA-SOLID	56289	150D105X9035A2
A6C31	0160-2259	2	CAPACITOR-FXD 12PF +-5% 500WVDC CER	28480	0160-2259
A6C41	0150-0050		CAPACITOR-FXD 1000PF +80-20% 1000WVDC	28480	0150-0050
A6C42	0160-2306		CAPACITOR-FXD 27PF +-5% 300WVDC MICA	28480	0160-2306
A6C51	0150-0093		CAPACITOR-FXD .01UF +80-20% 100WVDC CER	28480	0150-0093
A6C52	0150-0093		CAPACITOR-FXD .01UF +80-20% 100WVDC CER	28480	0150-0093
A6C53	0150-0093		CAPACITOR-FXD .01UF +80-20% 100WVDC CER	28480	0150-0093
A6C54	0160-0174		CAPACITOR-FXD .47UF +80-20% 25WVDC CER	28480	0160-0174
A6C60	0160-0174		CAPACITOR-FXD .47UF +80-20% 25WVDC CER	28480	0160-0174
A6C61	0160-0174		CAPACITOR-FXD .47UF +80-20% 25WVDC CER	28480	0160-0174
A6C62	0180-0098		CAPACITOR-FXD: 100UF+-20% 20VDC TA	56289	150D107X0020S2
A6C63	0150-0093		CAPACITOR-FXD .01UF +80-20% 100WVDC CER	28480	0150-0093
A6C64	0150-0093		CAPACITOR-FXD .01UF +80-20% 100WVDC CER	28480	0150-0093
A6C65	0121-0046		CAPACITOR-V TRMR-CER 9/35PF 200V PC-MTG	00865	304322 9/35PF N650
A6C66	0140-0190		CAPACITOR-FXD 39PF +-5% 300WVDC CER	72136	DM15E390J0300WV1CR
A6C67	0180-0291		CAPACITOR-FXD: 1UF+-10% 35VDC TA-SOLID	56289	150D105X9035A2
A6C68	0150-0093		CAPACITOR-FXD .01UF +80-20% 100WVDC CER	28480	0150-0093
A6C69	0180-0291		CAPACITOR-FXD: 1UF+-10% 35VDC TA-SOLID	56289	150D105X9035A2
A6C70	0160-2259		CAPACITOR-FXD 12PF +-5% 500WVDC CER	28480	0160-2259
A6C80	0160-0174		CAPACITOR-FXD .47UF +80-20% 25WVDC CER	28480	0160-0174
A6C81	0160-0174		CAPACITOR-FXD .47UF +80-20% 25WVDC CER	28480	0160-0174
A6C90	0160-0174		CAPACITOR-FXD .47UF +80-20% 25WVDC CER	28480	0160-0174
A6C91	0160-0174		CAPACITOR-FXD .47UF +80-20% 25WVDC CER	28480	0160-0174
A6C100	0180-1784	2	CAPACITOR-FXD 1000UF +75-10% 40VDC AL	56289	39D108G040GPA
A6C101	0160-2940	2	CAPACITOR-FXD 470PF +-5% 300WVDC MICA	28480	0160-2940
A6C102	0180-1784		CAPACITOR-FXD 1000UF +75-10% 40VDC AL	56289	39D108G040GPA
A6C103	0160-2940		CAPACITOR-FXD 470PF+-5% 300WVDC MICA	28480	0160-2940
A6C104	0160-4213	2	CAPACITOR-FXD .1UF +-20% 50WVDC POLYE	28480	0160-4213
A6C105	0160-4213		CAPACITOR-FXD .1UF +-20% 50WVDC POLYE	28480	0160-4213
A6CR1	1902-0025	1	DIODE-ZNR 10V 5% DO-7 PD=.4W TC=+.06%	04713	SZ 10939-182
A6CR6	1901-0533	6	DIODE-SCHOTTKY	28480	1901-0533
A6CR7	1901-0533		DIODE-SCHOTTKY	28480	1901-0533
A6CR100	1901-0159	8	DIODE-PWR RECT 400V 750MA DO-41	04713	SR1358-4
A6CR101	1901-0159		DIODE-PWR RECT 400V 750MA DO-41	04713	SR1358-4
A6CR102	1901-0159		DIODE-PWR RECT 400V 750MA DO-41	04713	SR1358-4
A6CR103	1901-0159		DIODE-PWR RECT 400V 750MA DO-41	04713	SR1358-4
A6CR104	1901-0159		DIODE-PWR RECT 400V 750MA DO-41	04713	SR1358-4
A6CR105	1901-0159		DIODE-PWR RECT 400V 750MA DO-41	04713	SR1358-4
A6CR106	1901-0159		DIODE-PWR RECT 400V 750MA DO-41	04713	SR1358-4
A6CR107	1901-0159		DIODE-PWR RECT 400V 750MA DO-41	04713	SR1358-4
A6K1	0490-1079	2	RELAY-REED 1A .5A 100V CONT 5V-COIL	28480	0490-1079
A6K2	0490-1079		RELAY-REED 1A .5A 100V CONT 5V-COIL	28480	0490-1079
A6L1	9100-1613	2	COIL-FXD MOLDED RF CHOKE .47UH 20%	24226	15/470
A6L2	9100-1611	2	COIL-FXD MOLDED RF CHOKE .22UH 20%	24226	15/220
A6L3	9170-0025	8	CORE-SHIELDING BEAD	02114	56-590-65A2/4A
A6L4	9170-0029	3	CORE-SHIELDING BEAD	02114	56-590-65A2/4A
A6L6	9100-1613		COIL-FXD MOLDED RF CHOKE .47UH 20%	24226	15/470
A6L8	9100-1611		COIL-FXD MOLDED RF CHOKE .22UH 20%	24226	15/220
A6L9	9170-0029		CORE-SHIELDING BEAD	02114	56-590-65A2/4A

See table 6-3 for Manufacturer Codes

Table 6-6 (cont'd) Board A6 Replaceable Parts List

Reference Designation	HP Part Number	Qty	Description	Mfr Code	Mfr Part Number
A6L10	9170-0029		CORE-SHIELDING BEAD	02114	56-590-65A2/4A
A6MP4	1205-0037	2	HEAT-DISSIPATOR SGL TO-36 PKG, Q4	28480	1205-0037
A6MP5	1205-0037		HEAT-DISSIPATOR SGL TO-36 PKG, Q5	28480	1205-0037
A6MP6	1205-0033	8	HEAT-DISSIPATOR SGL TO-5/TO-39 PKG, Q6	28480	1205-0033
A6MP7	1205-0033		HEAT-DISSIPATOR SGL TO-5/TO-39 PKG, Q7	28480	1205-0033
A6MP9	1205-0011	2	HEAT-DISSIPATOR SGL TO-5/TO-39 PKG, Q9	28480	1205-0011
A6MP15	1205-0033		HEAT-DISSIPATOR SGL TO-5/TO-39 PKG, Q15	28480	1205-0033
A6MP16	1205-0033		HEAT-DISSIPATOR SGL TO-5/TO-39 PKG, Q16	28480	1205-0033
A6MP18	1205-0011		HEAT-DISSIPATOR SGL TO-5/TO-39 PKG, Q18	28480	1205-0011
A6MP20	1205-0033		HEAT-DISSIPATOR SGL TO-5/TO-39 PKG, Q20	28480	1205-0033
A6MP22	1205-0033		HEAT-DISSIPATOR SGL TO-5/TO-39 PKG, Q22	28480	1205-0033
A6MP24	1205-0033		HEAT-DISSIPATOR SGL TO-5/TO-39 PKG, Q24	28480	1205-0033
A6MP26	1205-0033		HEAT-DISSIPATOR SGL TO-5/TO-39 PKG, Q26	28480	1205-0033
A6Q1	1854-0431	2	TRANSISTOR NPN 2N5179 SI TO-72 PD=200MW	04713	2N5179
A6Q2	1854-0431		TRANSISTOR NPN 2N5179 SI TO-72 PD=200MW	04713	2N5179
A6Q3	1853-0218	1	TRANSISTOR PNP SI TO-18 PD=360MW	28480	1853-0218
A6Q4	1853-0218	2	TRANSISTOR-PNP SI PD=360MW F=800MHZ	28480	1853-0218
A6Q5	1853-0218		TRANSISTOR-PNP SI PD=360MW F=800MHZ	28480	1853-0218
A6Q6	1853-0315	2	TRANSISTOR PNP SI TO-39 PD=1W FT=1GHZ	28480	1853-0315
A6Q7	1853-0315		TRANSISTOR PNP SI TO-39 PD=1W FT=1GHZ	28480	1853-0315
A6Q8	1853-0036	3	TRANSISTOR PNP SI PD=310MW FT=250MHZ	28480	1853-0036
A6Q9	1854-0003	1	TRANSISTOR NPN SI TO-39 PD=800MW	28480	1854-0003
A6Q10	1853-0015	2	TRANSISTOR PNP SI PD=200MW FT=500MHZ	28480	1853-0015
A6Q11	1853-0015		TRANSISTOR PNP SI PD=200MW FT=500MHZ	28480	1853-0015
A6Q12	1854-0354	1	TRANSISTOR NPN SI TO-52 PD=360MW	28480	1854-0354
A6Q13	1854-0332	4	TRANSISTOR NPN SI TO-39 PD=1W FT=800MHZ	28480	1854-0332
A6Q14	1854-0332		TRANSISTOR NPN SI TO-39 PD=1W FT=800MHZ	28480	1854-0332
A6Q15	1854-0332		TRANSISTOR NPN SI TO-39 PD=1W FT=800MHZ	28480	1854-0332
A6Q16	1854-0332		TRANSISTOR NPN SI TO-39 PD=1W FT=800MHZ	28480	1854-0332
A6Q17	1854-0215	3	TRANSISTOR NPN SI PD=350MW FT=300MHZ	04713	SPS 3611
A6Q18	1853-0012	1	TRANSISTOR PNP 2N2904A SI TO-5 PD=600MW	01295	2N2904A
A6Q19	1854-0215		TRANSISTOR NPN SI PD=350MW FT=300MHZ	04713	SPS 3611
A6Q20	1853-0027	2	TRANSISTOR PNP SI TO-39 PD=1W FT=100MHZ	28480	1853-0027
A6Q21	1853-0036		TRANSISTOR PNP SI PD=310MW FT=250MHZ	28480	1853-0036
A6Q22	1854-0039	2	TRANSISTOR NPN 2N3053 SI TO-5 PD=1W	04713	2N3053
A6Q23	1854-0215		TRANSISTOR NPN SI PD=350MW FT=300MHZ	04713	SPS 3611
A6Q24	1853-0027		TRANSISTOR PNP SI TO-39 PD=1W FT=100MHZ	28480	1853-0027
A6Q25	1853-0036		TRANSISTOR PNP SI PD=310MW FT=250MHZ	28480	1853-0036
A6Q26	1854-0039		TRANSISTOR NPN 2N3053 SI TO-5 PD=1W	04713	2N3053
A6Q27	1854-0433	2	TRANSISTOR NPN SI PD=90W FT=2MHZ NOT SUPPLIED AS PART OF A6. ORDER SEPARATELY	28480	1854-0433
A6Q28	1854-0433		TRANSISTOR NPN SI PD=90W FT=2MHZ NOT SUPPLIED AS PART OF A6. ORDER SEPARATELY	28480	1854-0433
A6Q29	1854-0354	4	TRANSISTOR NPN SI TO-52 PD=360MW	28480	1854-0354
A6Q30	1854-0354		TRANSISTOR NPN SI TO-52 PD=360MW	28480	1854-0354
A6Q31	1854-0354		TRANSISTOR NPN SI TO-52 PD=360MW	28480	1854-0354
A6Q32	1854-0354		TRANSISTOR NPN SI TO-52 PD=360MW	28480	1854-0354
A6R1	0757-0401	2	RESISTOR 100 1% .125W F TC=0+-100	24546	C4-1/8-T0-101-F
A6R2	0698-4418	2	RESISTOR 205 1% .125W F TC=0+-100	16299	C4-1/8-T0-205R-F
A6R3	0757-0280	2	RESISTOR 1K 1% .125W F TC=0+-100	24546	C4-1/8-T0-1001-F
A6R4	0757-0317	4	RESISTOR 1.33K 1% .125W F TC=0+-100	24546	C4-1/8-T0-1331-F
A6R5	0757-0395	2	RESISTOR 56.2 1% .125W F TC=0+-100	24546	C4-1/8-T0-56R2-F
A6R6	0698-3438	2	RESISTOR 147 1% .125W F TC=0+-100	16299	C4-1/8-T0-147R-F
A6R7	0758-0029	2	RESISTOR 470 5% .25W F TC=0+-100	24546	C5-1/4-T0-471-J
A6R8	0757-0419	2	RESISTOR 681 1% .125W F TC=0+-100	24546	C4-1/8-T0-681R-F
A6R9	0757-0317		RESISTOR 1.33K 1% .125W F TC=0+-100	24546	C4-1/8-T0-1331-F
A6R10	0757-0276	2	RESISTOR 61.9 1% .125W F TC=0+-100	24546	C4-1/8-T0-6192-F
A6R13	0757-0178	1	RESISTOR 100 1% .25W F TC=0+-100	24546	C5-1/4-T0-101-F
A6R14	0757-0288	2	RESISTOR 9.09K 1% .125W F TC=0+-100	19701	MF4C1/8-T0-9091-F
A6R15	0757-0442	2	RESISTOR 10K 1% .125W F TC=0+-100	24546	C4-1/8-T0-1002-F
A6R16	0757-0433	1	RESISTOR 3.32K 1% .125W F TC=0+-100	24546	C4-1/8-T0-3321-F
A6R17	0757-0405	2	RESISTOR 162 1% .125W F TC=0+-100	24546	C4-1/8-T0-162R-F
A6R18	0757-0418	2	RESISTOR 619 1% .125W F TC=0+-100	24546	C4-1/8-T0-619R-F
A6R19	0760-0024	2	RESISTOR 100 5% 1W MO TC=0+-200	FR003	C32
A6R21	0757-0500	4	RESISTOR 30.1 1% .25W F TC=0+-100	24546	C5-1/4-T0-30R1-F
A6R22	0757-0500		RESISTOR 30.1 1% .25W F TC=0+-100	24546	C5-1/4-T0-30R1-F
A6R24	0698-3442	1	RESISTOR 237 1% .125W F TC=0+-100	16299	C4-1/8-T0-237R-F
A6R25	2100-0568	2	RESISTOR-VAR TRMR 100 OHM 10% C TOP AOJ	73138	72PR100
A6R26	0757-0393	4	RESISTOR 47.5 1% .125W F TC=0+-100	24546	C4-1/8-T0-47R5-F
A6R27	0757-0393		RESISTOR 47.5 1% .125W F TC=0+-100	24546	C4-1/8-T0-47R5-F
A6R28	0757-0801	6	RESISTOR 150 1% .5W F TC=0+-100	19701	MF7C-1/2-T0-151-F
A6R29	0757-0801		RESISTOR 150 1% .5W F TC=0+-100	19701	MF7C-1/2-T0-151-F
A6R30	0757-0801		RESISTOR 150 1% .5W F TC=0+-100	19701	MF7C-1/2-T0-151-F
A6R32	0757-0274	2	RESISTOR 1.21K 1% .125W F TC=0+-100	24546	C4-1/8-T0-1213-F
A6R39	0698-0082	2	RESISTOR 464 1% .125W F TC=0+-100	16299	C4-1/8-T0-4640-F
A6R39	0757-0406	2	RESISTOR 182 1% .125W F TC=0+-100	24546	C4-1/8-T0-182R-F
A6R40	0757-0401		RESISTOR 100 1% .125W F TC=0+-100	24546	C4-1/8-T0-101-F

See table 6-3 for Manufacturer Codes

Table 6-6 (cont'd) Board A6 Replaceable Parts List

Reference Designation	HP Part Number	Qty	Description	Mfr Code	Mfr Part Number
A6R41	0698-0082		RESISTOR 464 1% .125W F TC=0+-100	16299	C4-1/8-T0-4640-F
A6R42	0698-4418		RESISTOR 205 1% .125W F TC=0+-100	16299	C4-1/8-T0-205R-F
A6R43	0757-0280		RESISTOR 1K 1% .125W F TC=0+-100	24546	C4-1/8-T0-1001-F
A6R44	0757-0317		RESISTOR 1.33K 1% .125W F TC=0+-100	24546	C4-1/8-T0-1331-F
A6R45	0757-0395		RESISTOR 56.2 1% .125W F TC=0+-100	24546	C4-1/8-T0-56R2-F
A6R46	0698-3438		RESISTOR 147 1% .125W F TC=0+-100	16299	C4-1/8-T0-147R-F
A6R47	0758-0029		RESISTOR 470 5% .25W F TC=0+-100	24546	C5-1/4-T0-471-J
A6R48	0757-0419		RESISTOR 681 1% .125W F TC=0+-100	24546	C4-1/8-T0-681R-F
A6R49	0757-0317		RESISTOR 1.33K 1% .125W F TC=0+-100	24546	C4-1/8-T0-1331-F
A6R50	0757-0276		RESISTOR 61.9 1% .125W F TC=0+-100	24546	C4-1/8-T0-6192-F
A6R53	0698-3442	1	RESISTOR 100 1% .25W F TUBULAR	24546	C5-1/4-T0-101-F
A6R54	0757-0288		RESISTOR 9.09K 1% .125W F TC=0+-100	19701	MF4C1/8-T0-9091-F
A6R55	0757-0442		RESISTOR 10K 1% .125W F TC=0+-100	24546	C4-1/8-T0-1002-F
A6R56	0757-0279	1	RESISTOR 3.16K 1% .125W F TC=0+-100	24546	C4-1/8-T0-3161-F
A6R57	0757-0405		RESISTOR 162 1% .125W F TC=0+-100	24546	C4-1/8-T0-162R-F
A6R58	0757-0418		RESISTOR 619 1% .125W F TC=0+-100	24546	C4-1/8-T0-619R-F
A6R59	0760-0024		RESISTOR 100 5% 1W MO TC=0+-200	FR003	C32
A6R61	0757-0500		RESISTOR 30.1 1% .25W F TC=0+-100	24546	C5-1/4-T0-30R1-F
A6R62	0757-0500		RESISTOR 30.1 1% .25W F TC=0+-100	24546	C5-1/4-T0-30R1-F
A6R64	0698-3442	1	RESISTOR 237 1% .125W F TUBULAR	16299	C4-1/8-T0-237R-F
A6R65	2100-0568		RESISTOR-VAR TRMR 100 OHM 10% C TOP ADJ	73138	72PR100
A6R66	0757-0393		RESISTOR 47.5 1% .125W F TC=0+-100	24546	C4-1/8-T0-475R-F
A6R67	0757-0393		RESISTOR 47.5 1% .125W F TC=0+-100	24546	C4-1/8-T0-475R-F
A6R68	0757-0801		RESISTOR 150 1% .5W F TC=0+-100	19701	MF7C-1/2-T0-151-F
A6R69	0757-0801		RESISTOR 150 1% .5W F TC=0+-100	19701	MF7C-1/2-T0-151-F
A6R70	0757-0801		RESISTOR 150 1% .5W F TC=0+-100	19701	MF7C-1/2-T0-151-F
A6R71	0757-0406		RESISTOR 182 1% .125W F TC=0+-100	24546	C4-1/8-T0-182R-F
A6R72	0757-0274		RESISTOR 1.21K 1% .125W F TC=0+-100	24546	C4-1/8-T0-1213-F
A6R80	0698-3496	4	RESISTOR 3.57K 1% .125W F TC=0+-100	16299	C4-1/8-T0-357R-F
A6R81	0698-4455	2	RESISTOR 536 1% .125W F TC=0+-100	24546	C4-1/8-T0-536R-F
A6R82	0757-0997	2	RESISTOR 39.2 1% .5W F TC=0+-100	19701	MF7C1/2-T0-39R2-F
A6R83	0757-0415	4	RESISTOR 475 1% .125W F TC=0+-100	24546	C4-1/8-T0-475R-F
A6R84	0698-4421	2	RESISTOR 249 1% .125W F TC=0+-100	16299	C4-1/8-T0-249R-F
A6R85	0698-3496	2	RESISTOR 3.57K 1% .125W F TC=0+-100	16299	C4-1/8-T0-357R-F
A6R86	0757-0415		RESISTOR 475 1% .125W F TC=0+-100	24546	C4-1/8-T0-475R-F
A6R87	0760-0026	6	RESISTOR 75 2% 1W MO TC=0+-200	FR003	C32
A6R90	0698-3496		RESISTOR 3.57K 1% .125W F TC=0+-100	16299	C4-1/8-T0-357R-F
A6R91	0757-0415		RESISTOR 475 1% .125W F TC=0+-100	24546	C4-1/8-T0-475R-F
A6R92	0760-0026		RESISTOR 75 2% 1W MO TC=0+-200	FR003	C32
A6R93	0698-4421		RESISTOR 249 1% .125W F TC=0+-100	16299	C4-1/8-T0-249R-F
A6R94	0757-0415		RESISTOR 475 1% .125W F TC=0+-100	24546	C4-1/8-T0-475R-F
A6R95	0698-3496		RESISTOR 3.57K 1% .125W F TC=0+-100	16299	C4-1/8-T0-357R-F
A6R96	0698-4455		RESISTOR 536 1% .125W F TC=0+-100	24546	C4-1/8-T0-536R-F
A6R97	0757-0997		RESISTOR 39.2 1% .5W F TC=0+-100	19701	MF7C1/2-T0-39R2-F
A6R100	0811-0929	2	RESISTOR .51 5% 2W PW TC=0+-800	75042	BWH2-R51-J
A6R101	0757-0435	2	RESISTOR 3.92K 1% .125W F TC=0+-100	24546	C4-1/8-T0-3921-F
A6R102	2100-3211	2	RESISTOR-VAR TRMR 1KOHM 10% C TOP ADJ	73138	72PR1K
A6R103	0698-3492	2	RESISTOR 2.67K 1% .125W F TC=0+-100	16299	C4-1/8-T0-2671-F
A6R104	0811-0929		RESISTOR .51 5% 2W PW TC=0+-800	75042	BWH2-R51-J
A6R105	0757-0435		RESISTOR 3.92K 1% .125W F TC=0+-100	24546	C4-1/8-T0-3921-F
A6R106	2100-3211		RESISTOR-VAR TRMR 1KOHM 10% C TOP ADJ	73138	72PR1K
A6R107	0698-3492		RESISTOR 2.67K 1% .125W F TC=0+-100	16299	C4-1/8-T0-2671-F
A6U1	1820-0196	2	IC LIN REGULATOR	07263	723HC
A6U2	1820-0196		IC LIN REGULATOR	07263	723HC

See table 6-3 for Manufacturer Codes

A7 FRONT VIEW

08013-66525

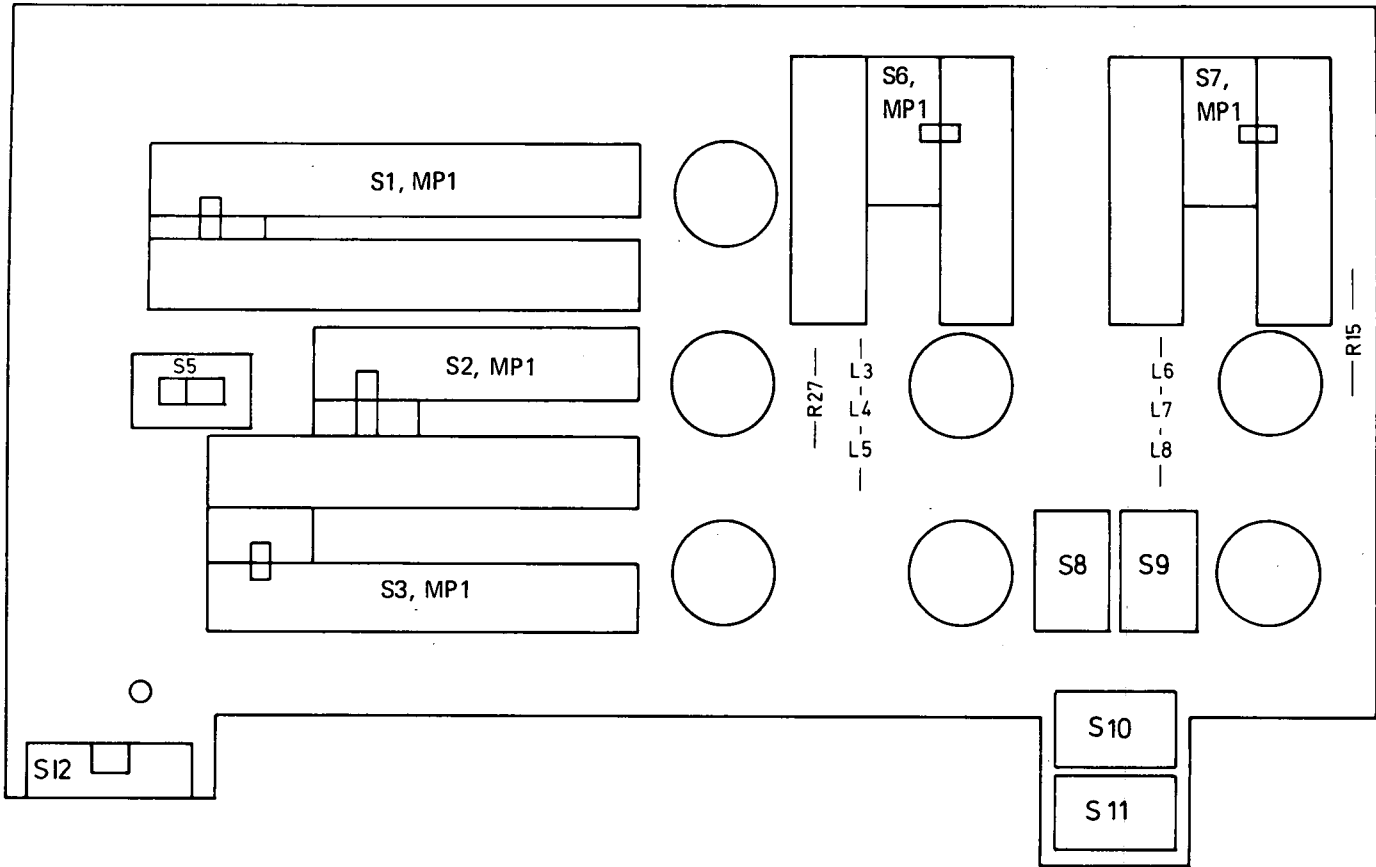


Figure 6-4. Component Layout - Board A7 - Front View

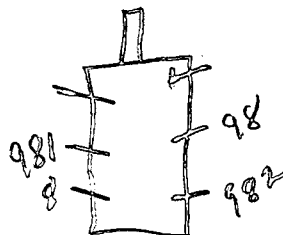


Table 6-7. Board A7 Replaceable Parts List

Reference Designation	HP Part Number	Qty	Description	Mfr Code	Mfr Part Number
A7	08013-66525	1	BOARD ASSEMBLY, MOTHER	28480	08013-66525
A7C1	1901-0533		DIODE-SCMOTIKY	28480	1901-0533
A7C2	1901-0533		DIODE-SCMOTIKY	28480	1901-0533
A7C3	1901-0533		DIODE-SCMOTIKY	28480	1901-0533
A7C4	1901-0533		DIODE-SCMOTIKY	28480	1901-0533
A7J5	1251-2026	1	CONNECTOR-PC EDGE 18-COMT/ROW 2-ROWS	71785	252-18-30-300
A7L1	9140-0118	2	COIL-PKD MOLDED AF CHOKO 500UM 5E	24224	197503
A7L2	9140-0118		JUMPER ASSY	24224	08007-71301
A7L3	08007-71301		NSR P/O A7L3	28480	
A7L4			NSR P/O A7L3		
A7L5			NSR P/O A7L3		
A7L6			NSR P/O A7L3		
A7L7			NSR P/O A7L3		
A7L8			NSR P/O A7L3		
A7N1	5020-3440	5	SPRING DETENT FOP S1, S2, S3, S6, S7	28480	5020-3440
A7N7	0760-0027	4	RESISTOR 150 28 1M MO TC=0+-200	FR003	C32
A7N8	0760-0027		RESISTOR 150 28 1M MO TC=0+-200	FR003	C32
A7N9	0760-0027		RESISTOR 150 28 1M MO TC=0+-200	FR003	C32
A7N10	0760-0027		RESISTOR 150 28 1M MO TC=0+-200	FR003	C32
A7N11	0757-0172	2	RESISTOR 37.4 18 .25W F TC=0+-100	19701	MF7C1/2-TQ-374+-F
A7N12	0757-0172		RESISTOR 37.4 18 .25W F TC=0+-100	19701	MF7C1/2-TQ-374+-F
A7N13	0760-0026		RESISTOR 75 28 1M MO TC=0+-200	FR003	C32
A7N14	0760-0026		RESISTOR 75 28 1M MO TC=0+-200	FR003	C32
A7N15	0760-0026		RESISTOR 75 28 1M MO TC=0+-200	FR003	C32
A7N16	0760-0026		RESISTOR 75 28 1M MO TC=0+-200	FR003	C32
A7N17	0757-0799	2	RESISTOR 121 18 .5W F TC=0+-100	19701	MF7C-1/2-TQ-121+-F
A7N18	0757-0799		RESISTOR 121 18 .5W F TC=0+-100	19701	MF7C-1/2-TQ-121+-F
A7N19	0690-2416	2	RESISTOR 42 28 2M MO TC=0+-200	14299	PPA2-2-TQ-62R0-J
A7N20	0690-2416		RESISTOR 42 28 2M MO TC=0+-200	14299	PPA2-2-TQ-62R0-J
A7N21	0761-0000	2	RESISTOR 42 28 1M MO TC=0+-200	24544	PP32-1-42R0-J
A7N22	0761-0000		RESISTOR 42 28 1M MO TC=0+-200	24544	PP32-1-42R0-J
A7N23	0761-0000		RESISTOR 42 28 1M MO TC=0+-200	24544	PP32-1-42R0-J
A7N24	0761-0000		RESISTOR 42 28 1M MO TC=0+-200	24544	PP32-1-42R0-J
A7N25	0761-0000		RESISTOR 42 28 1M MO TC=0+-200	24544	PP32-1-42R0-J
A7N26	0761-0000		RESISTOR 42 28 1M MO TC=0+-200	24544	PP32-1-42R0-J
A7N27	0761-0000		RESISTOR 42 28 1M MO TC=0+-200	24544	PP32-1-42R0-J
A7N28	0761-0000		RESISTOR 42 28 1M MO TC=0+-200	24544	PP32-1-42R0-J
A7N29	0761-0000		RESISTOR 42 28 1M MO TC=0+-200	24544	PP32-1-42R0-J
A7N30	0761-0000		RESISTOR 42 28 1M MO TC=0+-200	24544	PP32-1-42R0-J
A7N31	0761-0000		RESISTOR 42 28 1M MO TC=0+-200	24544	PP32-1-42R0-J
A7N32	0761-0000		RESISTOR 42 28 1M MO TC=0+-200	24544	PP32-1-42R0-J
A7N33	0761-0000		RESISTOR 42 28 1M MO TC=0+-200	24544	PP32-1-42R0-J
A7S1	5040-1109	2	SLIDE ASSEMBLY, P.C. SWITCH	28480	5040-1109
A7S2	5040-1109		SLIDE ASSEMBLY, P.C. SWITCH	28480	5040-1109
A7S3	5040-1110	1	SLIDE ASSEMBLY, P.C. SWITCH	28480	5040-1110
A7S4	5040-1111	2	SLIDE ASSEMBLY, P.C. SWITCH	28480	5040-1111
A7S5	5040-1112	2	SLIDE ASSEMBLY, P.C. SWITCH	28480	5040-1112
A7S6	5040-1112		SLIDE ASSEMBLY, P.C. SWITCH	28480	5040-1112
A7S7	3101-1311	1	SWITCH-SL DPDT-NS STD -SA 125VAC/DC	28480	3101-1311
A7S8	3101-1311		SWITCH-SL DPDT-NS STD -SA 125VAC/DC	28480	3101-1311
A7S9	3101-1311		SWITCH-SL DPDT-NS STD -SA 125VAC/DC	28480	3101-1311
A7S10	3101-1311		SWITCH-SL DPDT-NS STD -SA 125VAC/DC	28480	3101-1311
A7S11	3101-1311		SWITCH-SL DPDT-NS STD -SA 125VAC/DC	28480	3101-1311
A7S12	3101-1720	1	SWITCH-PB 15TA MODULE DPDT	28480	3101-1720
A7N4	1251-2026	1	CONNECTOR-PC EDGE 18-COMT/ROW 2-ROWS	71785	252-18-30-300

See table 6-3 for Manufacturer Codes

A7 REAR VIEW

08013-66525

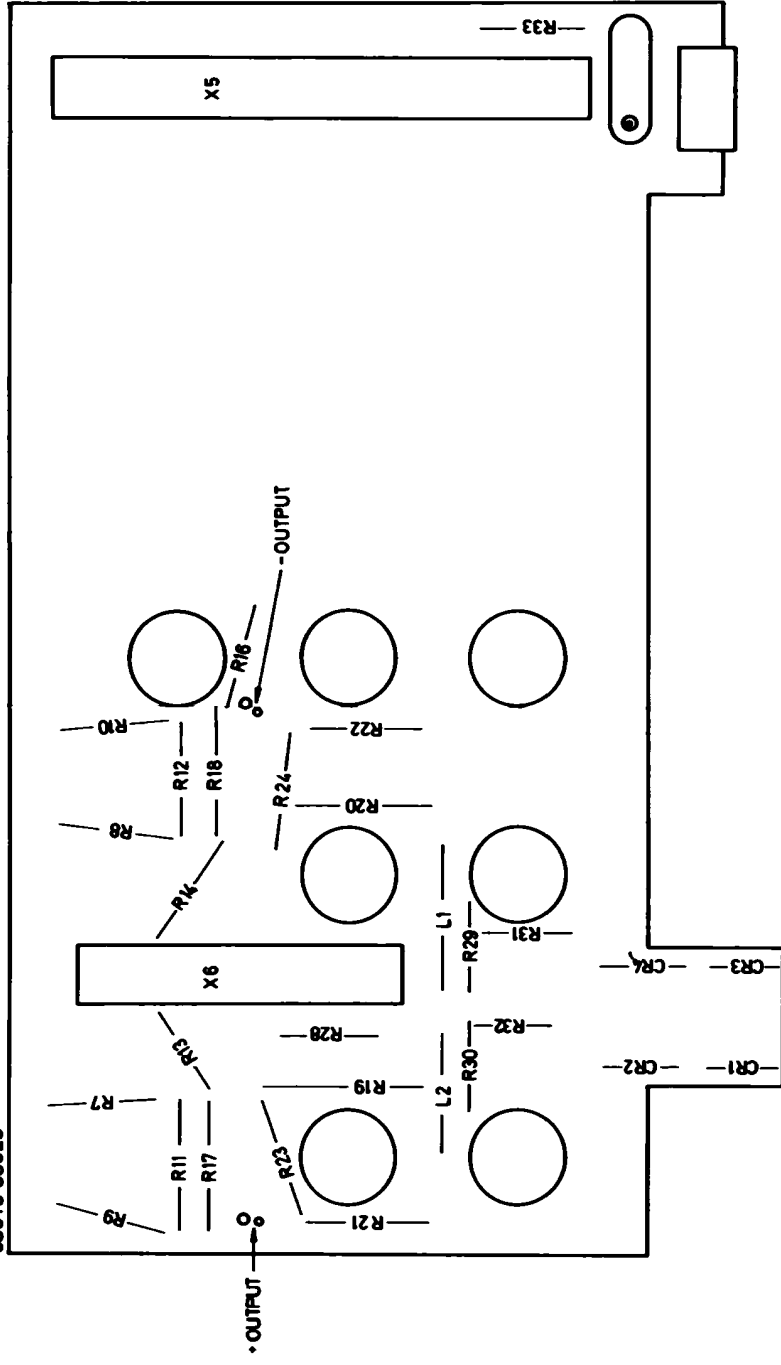
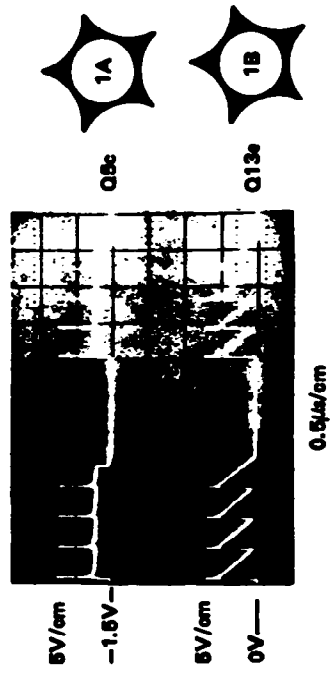
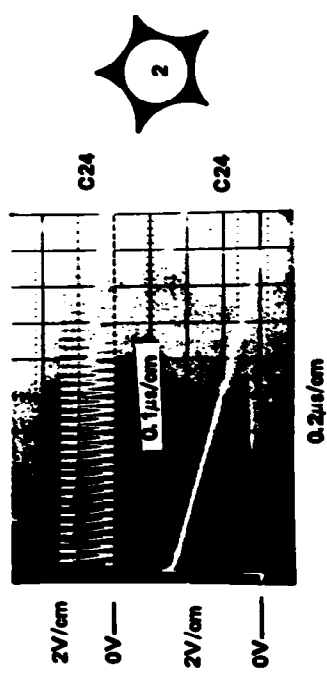


Figure 6-5. Component Layout - Board A7 - Rear View

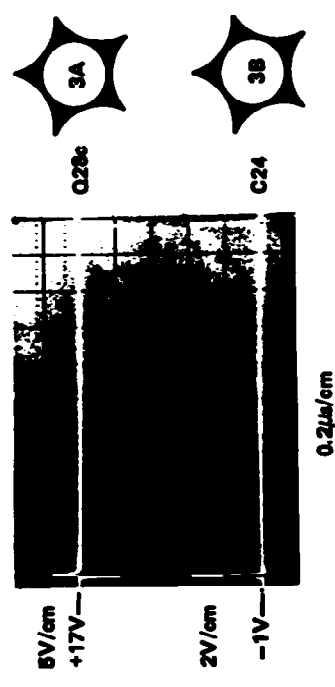


Pulse settings as for d.c. measurements (see note 1) except for:

EXTERNAL GATE INPUT **2** 330KHz
 PULSE PERIOD **2** 20n-1µ
 VERNIER **3** Center



PULSE PERIOD **2** 20n-1µ
 VERNIER **3** CCW
 VERNIER **3** CW



PULSE PERIOD **2** EXT (+)
 EXTERNAL TRIGGER INPUT **2**
 sine wave \approx 500 KHz

NOTES

- All d.c. voltages were measured with the following pulse settings unless otherwise stated.

PULSE PERIOD	2	EXT(+)
VERNIER	3	CCW
PULSE DOUBLE/NORMAL	4	NORM
PULSE DELAY	5	35n-1µ
VERNIER	6	CCW
PULSE WIDTH	7	10n-1µ
VERNIER	8	CCW
AMPLITUDE	9	5.0-2.0
VERNIER	10	CW
OFFSET vernier	11	-
OFFSET switch	12	OFF
AMPLITUDE	13	5.0-2.0
VERNIER	14	CW
OFFSET vernier	15	-
OFFSET switch	16	OFF
NORM/COMPL switch	19	NORM
INT LOAD	20	IN
EXT WIDTH/NORM/RZ switch	25	NORM

No external input signal

- A model 3440A digital voltmeter with a 3444A plug-in was used for the d.c. measurements.
- A model 180C oscilloscope with 1801A and 1821A plug-ins was used for the waveform measurements.
- A model 8015A pulse generator was used to provide the external input signals.

NOTES

- All d.c. voltages were measured with the following pulse settings unless otherwise stated.

PULSE PERIOD 2 EXT(+)
 VERNIER 3 CCW
 PULSE DOUBLE/NORMAL 4 NORM
 PULSE DELAY 5 35n-1 μ
 VERNIER 6 CCW
 PULSE WIDTH 7 10n-1 μ
 (but set to SQUARE WAVE for voltages marked SW).
 VERNIER 8 CCW
 AMPLITUDE 9 5.0-2.0
 VERNIER 10 CW
 OFFSET vernier 11 -
 OFFSET switch 12 OFF
 AMPLITUDE 13 5.0-2.0
 VERNIER 14 CW
 OFFSET vernier 15 -
 OFFSET switch 16 OFF
 NORM/COMPL switch 19 NORM
 INT LOAD 20 IN
 EXT WIDTH/NORM/RZ switch 25 NORM
 (but set to RZ and EXT WIDTH for voltages marked RZ and EXT WIDTH respectively).

No external input signal required

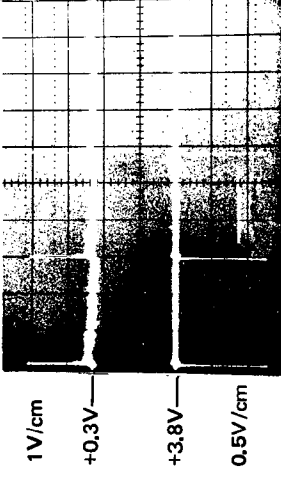
- A model 3440A digital voltmeter with a 3444A plug-in was used for the d.c. measurements.

- A model 180C oscilloscope with 1801A and 1821A plug-ins was used for the waveform measurements.

- A model 8015A pulse generator was used to provide the external input signals.

Pulse settings as for d. c. measurements (see note 1) except for:

PULSE PERIOD ② 20n-1 μ
 VERNIER ③ CW

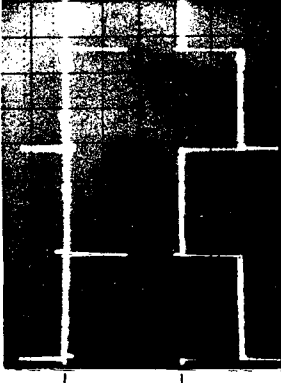


Q9c

Q12c

Pulse settings as for d. c. measurements (see note 1) except for:

PULSE PERIOD ② 20n-1
 CW
 VERNIER ③
 PULSE WIDTH ⑦ SQUARE WAVE

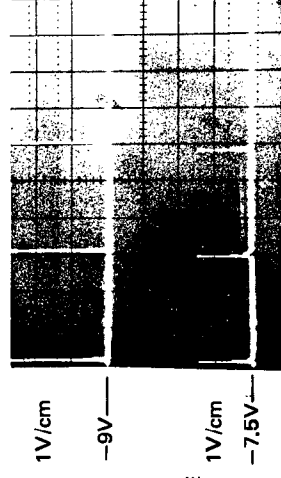


Q49c

Q48c



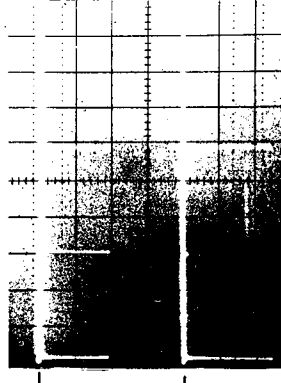
PULSE PERIOD ② 20n-1 μ
 VERNIER ③ CW
 PULSE WIDTH ⑦ SQUARE WAVE



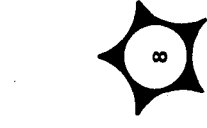
Q15c

Q14c

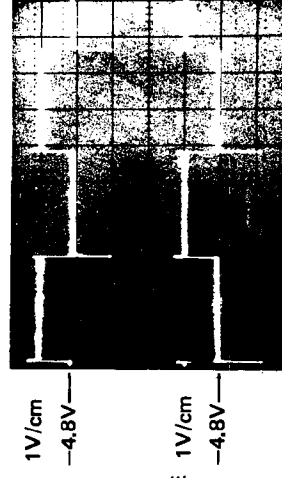
PULSE PERIOD ② 20n-1 μ
 VERNIER ③ CW
 PULSE PERIOD ② 20n-1 μ
 VERNIER ③ CW
 PULSE WIDTH ⑦ SQUARE WAVE



Q22c



PULSE PERIOD ② 20n-1 μ
 VERNIER ③ CW
 PULSE WIDTH ⑦ SQUARE WAVE



Q51b

Q50b

EXT WIDTH/NORM/RZ switch ②

NORM

RZ

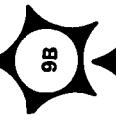
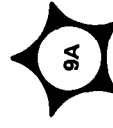
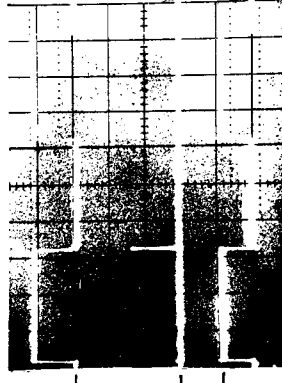
EXT WIDTH

External input to EXT. WIDTH/NORM/RZ connector ② on rear panel Δ 330 KHz

Q43c

Q44c

Q47c



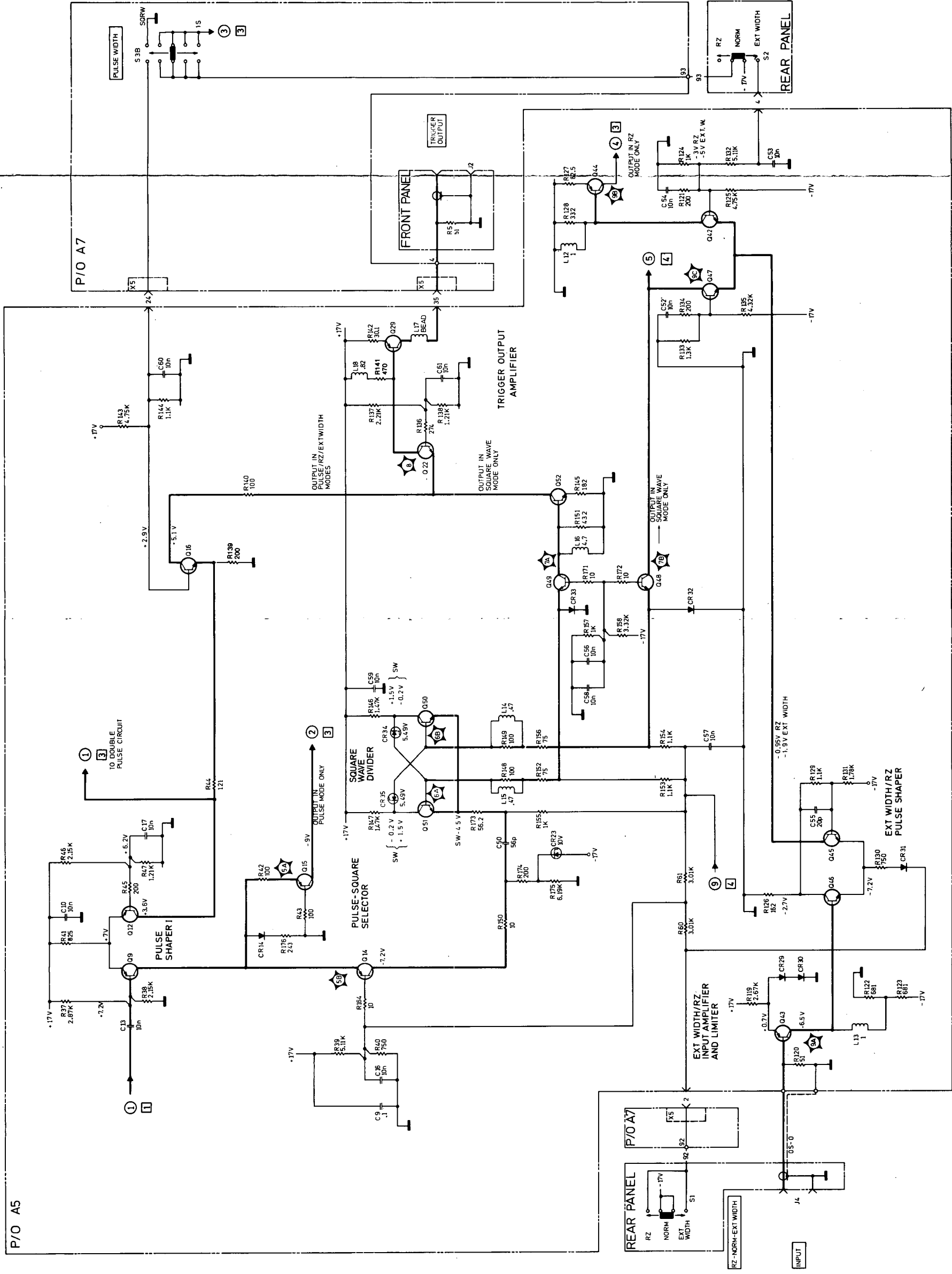


FIGURE 6-7. MODE SELECTOR, TRIGGER AMPLIFIER, EXT. INPUT AND SQUARE WAVE CIRCUITS 8013B

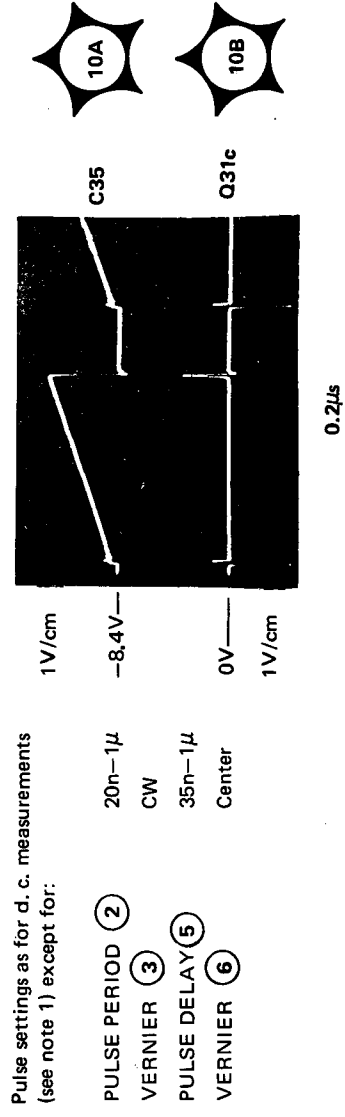
NOTES

1. All d.c. voltages were measured with the following pulse settings unless otherwise stated.

PULSE PERIOD	2	EXT(+)
VERNIER	3	CCW
PULSE DOUBLE/NORMAL	4	NORM
PULSE DELAY	5	35n-1 μ
VERNIER	6	CCW
PULSE WIDTH	7	10n-1 μ
VERNIER	8	CCW
AMPLITUDE	9	5.0-2.0
VERNIER	10	CW
OFFSET vernier	11	-
OFFSET switch	12	OFF
AMPLITUDE	13	5.0-2.0
VERNIER	14	CW
OFFSET vernier	15	-
OFFSET switch	16	OFF
NORM/COMPL switch	19	NORM
INT LOAD	20	IN
EXT WIDTH/NORM/RZ switch	25	NORM

No external input signal

2. A model 3440A digital voltmeter with a 3444A plug-in was used for the d.c. measurements.
3. A model 180C oscilloscope with 1801A and 1821A plug-ins was used for the waveform measurements.
4. A model 8015A pulse generator was used to provide the external input signals.



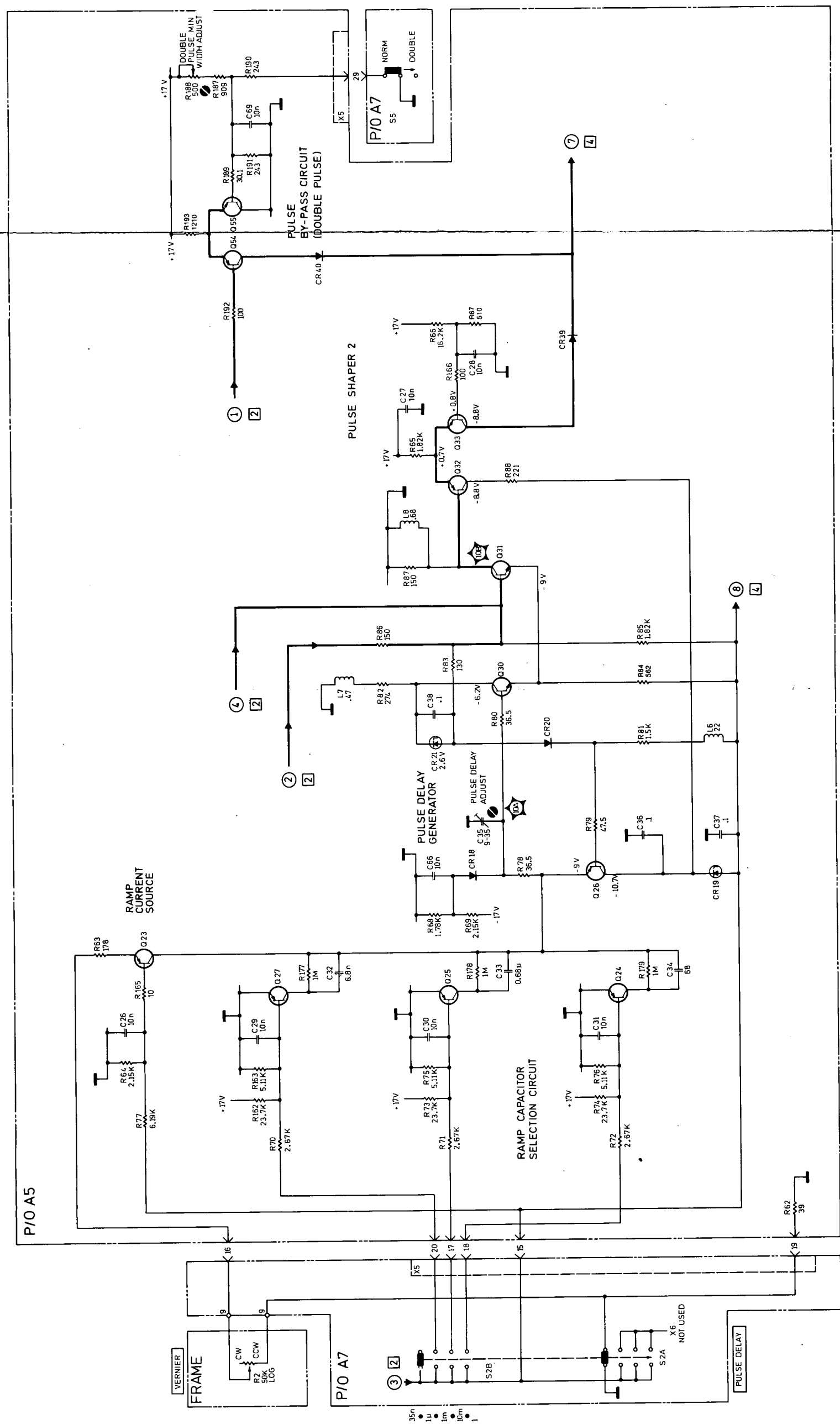


FIGURE 6-8. DELAY GENERATOR 8013B

NOTES

- All d.c. voltages were measured with the following pulse settings unless otherwise stated.

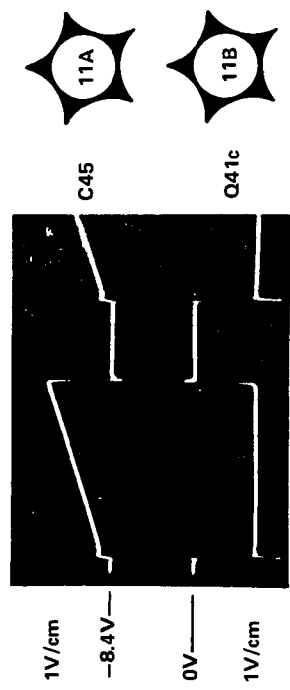
PULSE PERIOD	2	EXT(+)
VERNIER	3	CCW
PULSE DOUBLE/NORMAL	4	NORM
PULSE DELAY	5	35n-1 μ
VERNIER	6	CCW
PULSE WIDTH	7	10n-1 μ
VERNIER	8	CCW
AMPLITUDE	9	5.0-2.0
VERNIER	10	CW
OFFSET vernier	11	-
OFFSET switch	12	OFF
AMPLITUDE	13	5.0-2.0
VERNIER	14	CW
OFFSET vernier	15	-
OFFSET switch	16	OFF
NORM/COMPL switch	19	NORM
INT LOAD	20	IN
EXT WIDTH/NORM/RZ switch	25	NORM

No external input signal

- A model 3440A digital voltmeter with a 3444A plug-in was used for the d.c. measurements.
- A model 180C oscilloscope with 1801A and 1821A plug-ins was used for the waveform measurements.
- A model 8015A pulse generator was used to provide the external input signals.

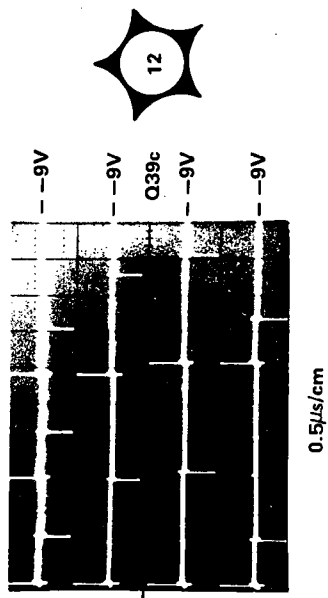
Pulse settings as for d.c. measurements (see note 1) except for:

PULSE PERIOD	2	20n-1 μ
VERNIER	3	CW
PULSE WIDTH	7	10n-1 μ
VERNIER	8	Center



PULSE PERIOD	2	20n-1 μ
VERNIER	3	CW
PULSE WIDTH	7	10n-1 μ
VERNIER	8	Center

PULSE PERIOD	2	20n-1 μ
VERNIER	3	CW
PULSE WIDTH	7	SQUARE WAVE



External input to
EXT WIDTH/NORM/RZ
connector 25 on rear
panel \pm 330 KHz

EXT WIDTH
RZ
EXT WIDTH/NORM/RZ
switch 25

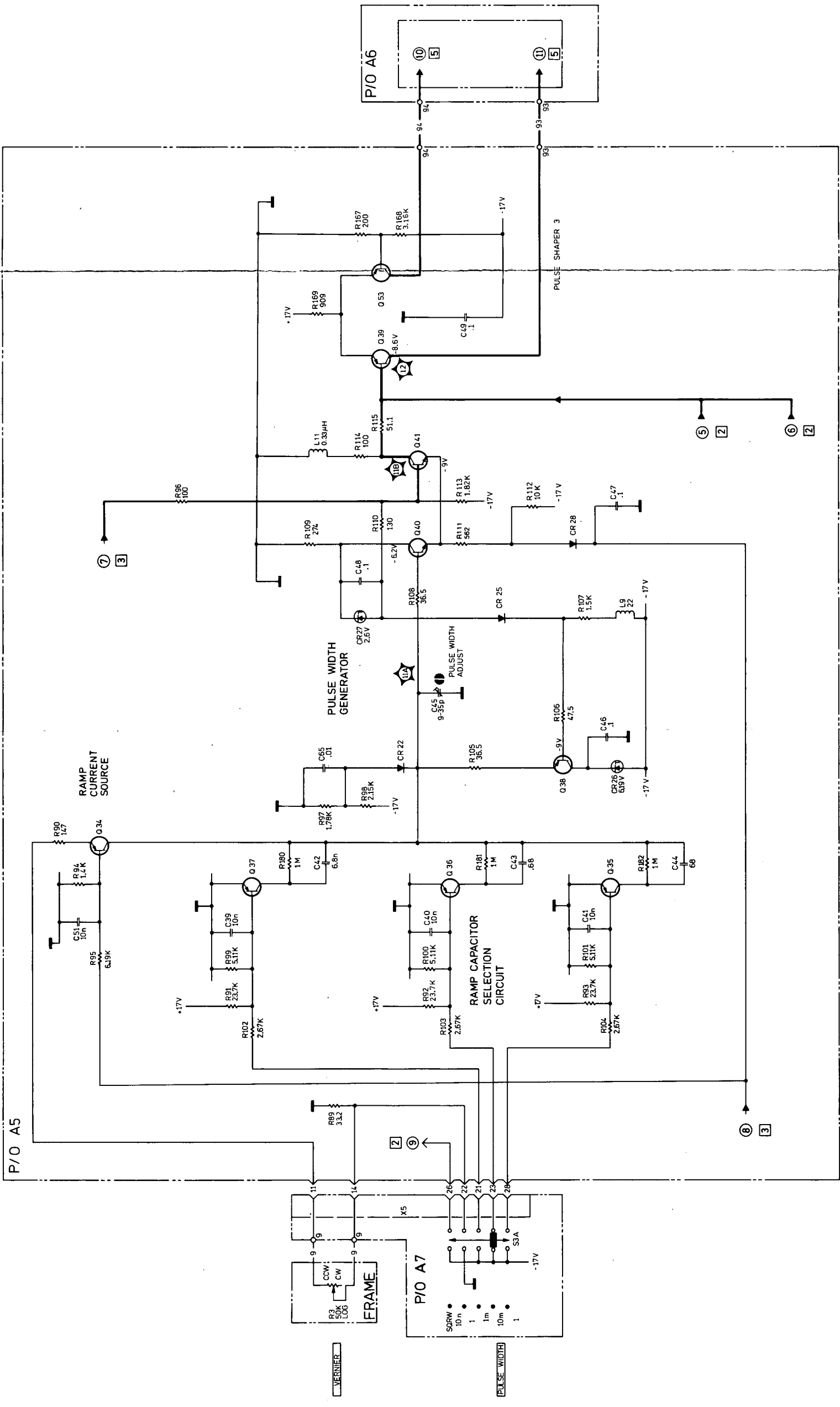


FIGURE 6-9. WIDTH GENERATOR 8013B

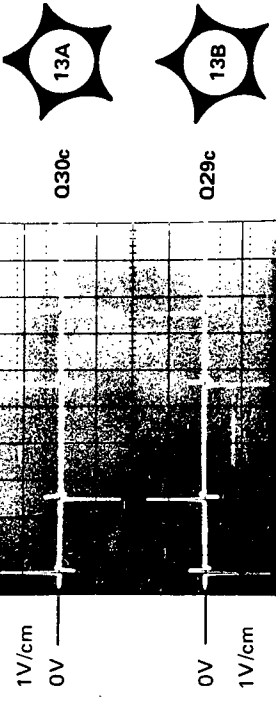
NOTES

- All d.c. voltages were measured with the following pulse settings unless otherwise stated. Press and release the MAN button (1) to change from one d.c. voltage level to the other.

PULSE PERIOD	2	EXT(+)
VERNIER	3	CCW
PULSE DOUBLE/NORMAL	4	NORM
PULSE DELAY	5	35n-1 μ
VERNIER	6	CCW
PULSE WIDTH	7	SQUARE WAVE
VERNIER	8	CCW
AMPLITUDE	9	5.0-2.0
VERNIER	10	CW
OFFSET vernier	11	-
OFFSET switch	12	OFF
AMPLITUDE	13	5.0-2.0
VERNIER	14	CW
OFFSET vernier	15	-
OFFSET switch	16	OFF
NORM/COMPL switch	19	NORM
INT LOAD	20	IN
EXT WIDTH/NORM/RZ switch	25	NORM

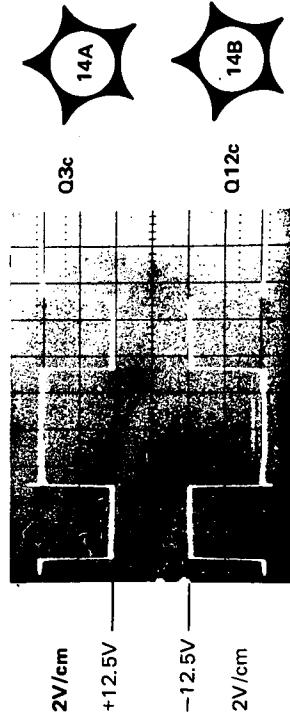
No external input signal

- A model 3440A digital voltmeter with a 3444A plug-in was used for the d.c. measurements.
- A model 180C oscilloscope with 1801A and 1821A plug-ins was used for the waveform measurements.
- A model 8015A pulse generator was used to provide the external input signals.



Pulse settings as for d.c. measurements (see note 1) except for:

PULSE PERIOD	2	20n-1 μ
VERNIER	3	CW
PULSE WIDTH	7	10n-1 μ
VERNIER	8	Center



PULSE PERIOD	2	20n-1 μ
VERNIER	3	CW
PULSE WIDTH	7	10n-1 μ
VERNIER	8	Center

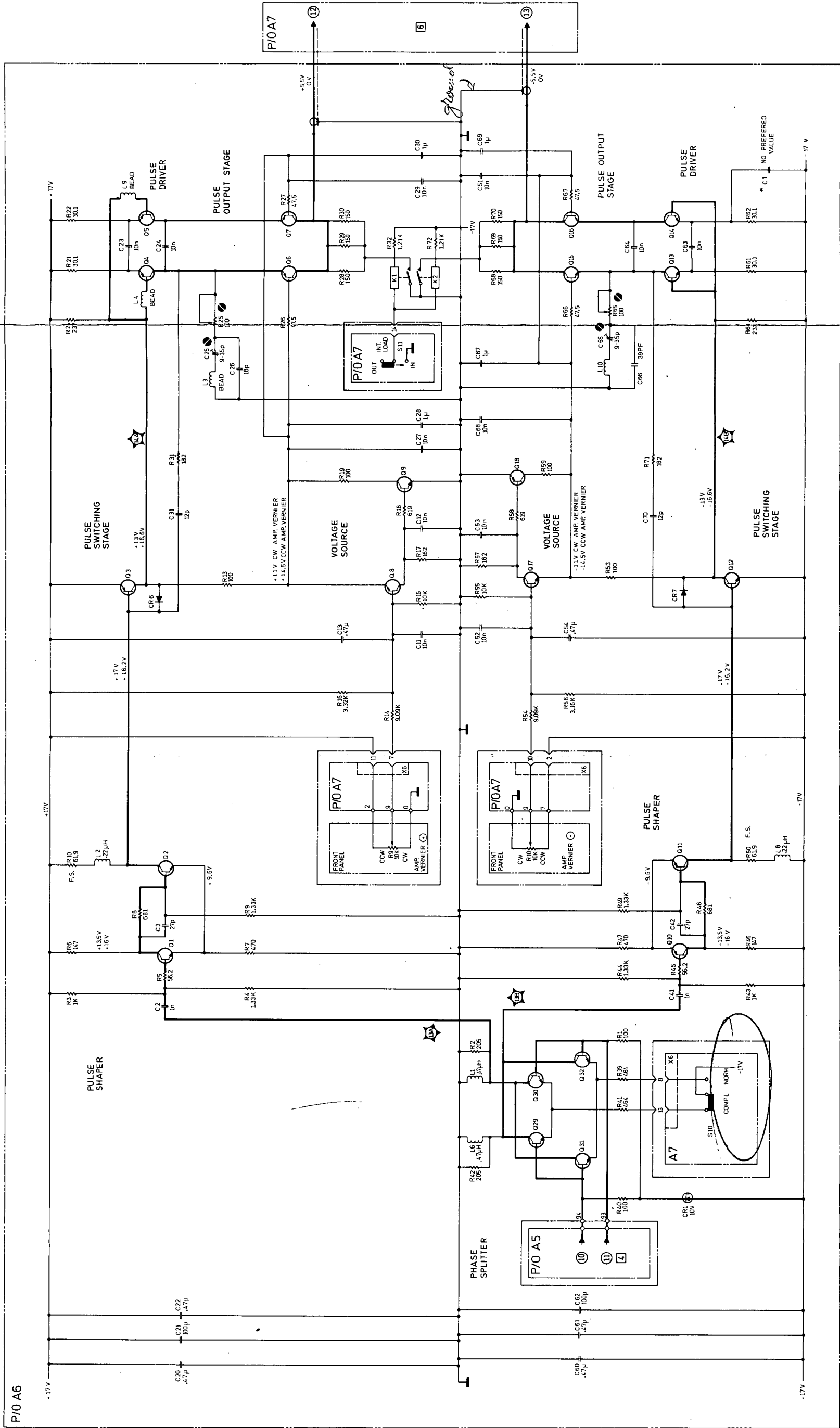


FIGURE 6-10. OUTPUT AMPLIFIERS 8013B

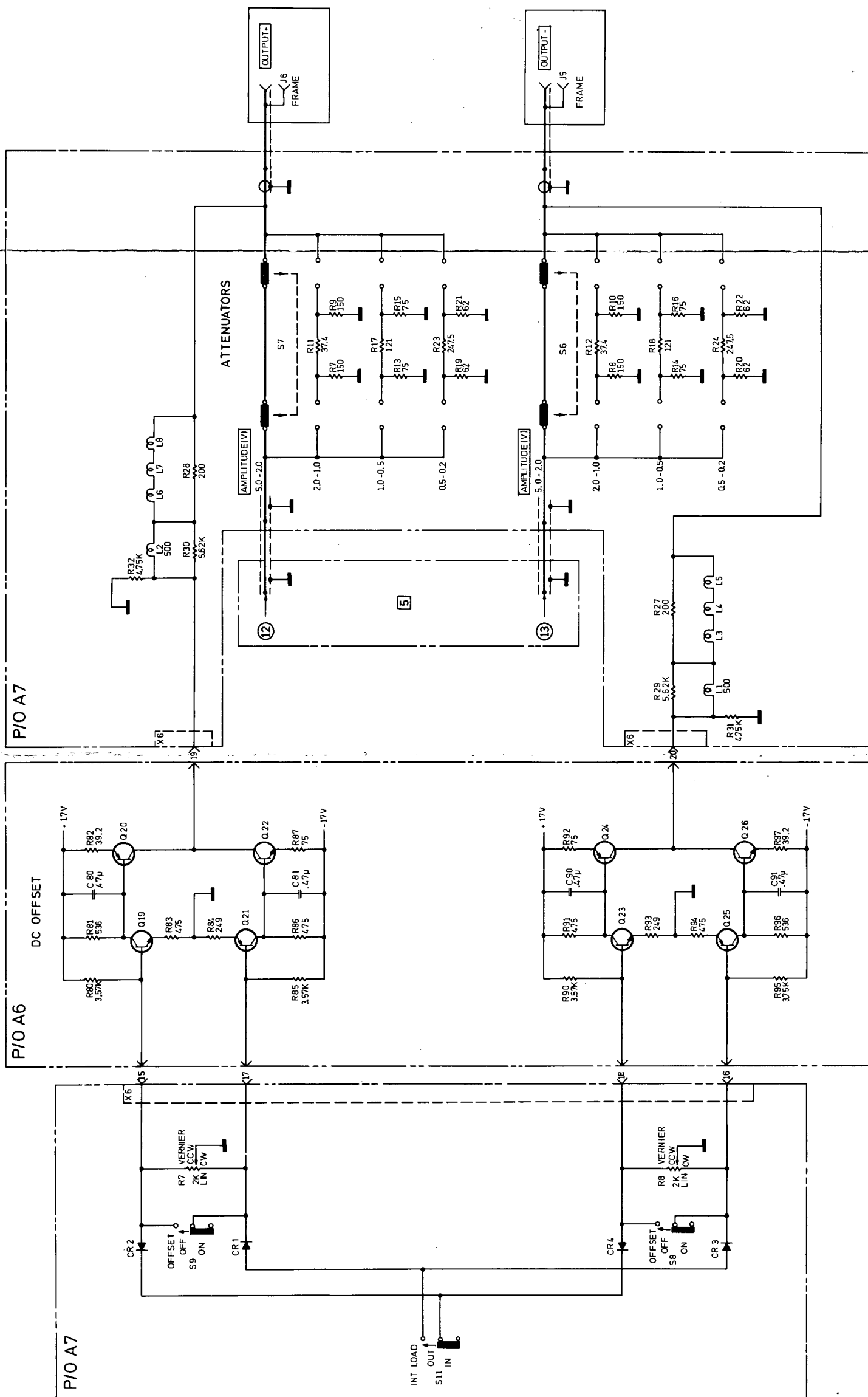
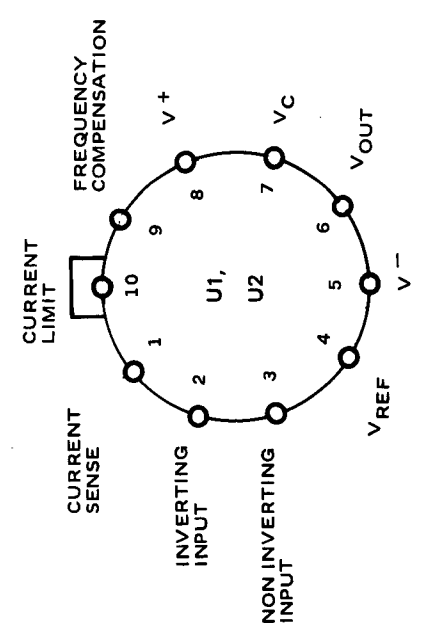
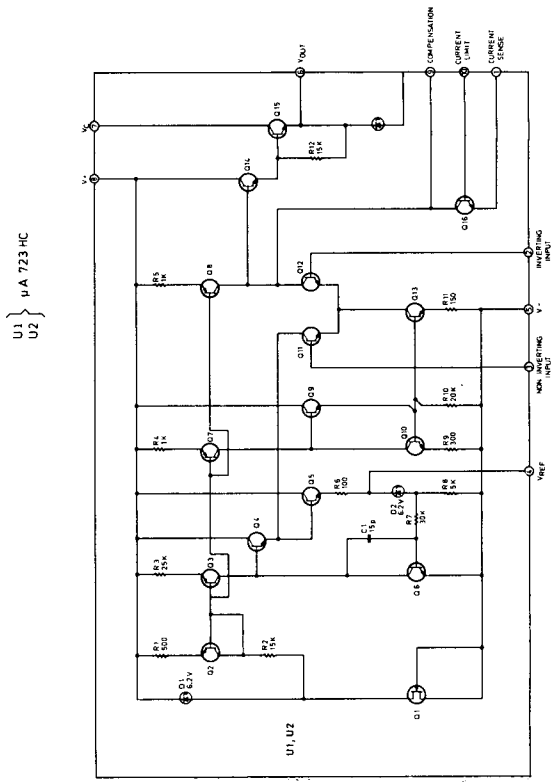
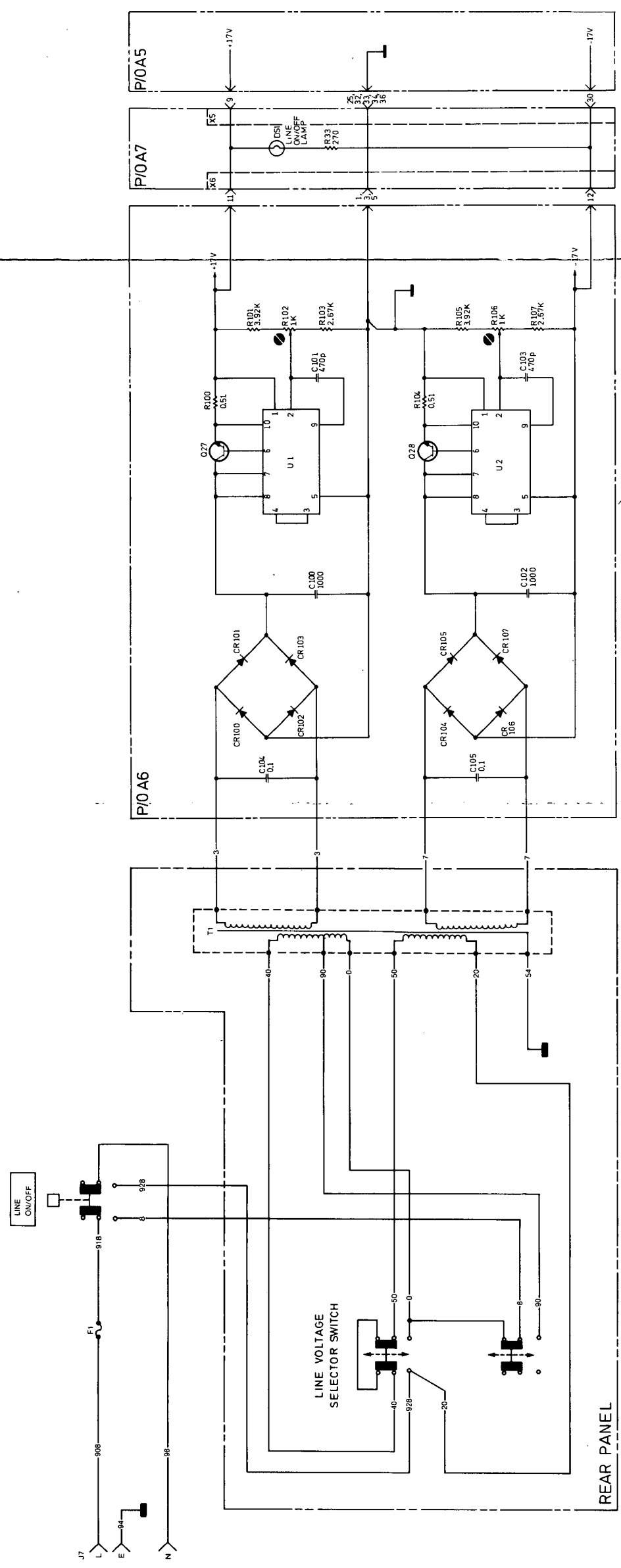


FIGURE 6-11. OFFSET AND ATTENUATOR 8013B



NOTE: Pin 5 connected to case.

U1 } μ A 723HC
U2 }

VOLTAGE REGULATOR IC'S - BOARD A8

FIGURE 6-12. POWER SUPPLIES 8013B

7-1 INTRODUCTION

7-2 This section contains backdating information which adapts this manual to instruments with serial numbers lower than that shown on the title page.

7-3 CHANGE SEQUENCE

7-4 Changes are listed on the serial number order that they occurred in the manufacture of the instrument. In adapting this manual to an instrument with a particular serial number, apply the changes in reverse order. That is, begin with the latest change and progress to the earliest change that applies to the serial number in question. Table 7-1 lists the serial numbers to which each change applies.

Table 7-1 Manual Backdating Changes

Instrument Serial Number	Make Backdating Changes
1412G00101 to 00170	4, 3, 2 and 1
1412G00171 to 00270	4, 3 and 2
1412G00271 to 00330	4 and 3
1412G00330 to 1441A10001	4

CHANGE 1 (for serial numbers 1412G00101 to 1412G00170)

Table 6-4. Change the following components to:

A5	L3	9100 - 1613 COIL CHOKE .47 μ H
A5	L11	9100 - 1612 COIL CHOKE .33 μ H
A5	R44	0757 - 0401 R-F 100 1% .125W
A6	R102	0698 - 3492 R-F 2.67K 1%
A5	R139	0757 - 0407 R-F 200 1% .125W
A6	R168	0757 - 0437 R-F 4.75K 1%

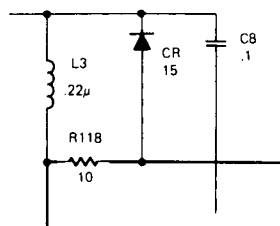
Delete A5CR15, A5CR41 and A5R199 (also delete these components from board A5 component layout)

Add

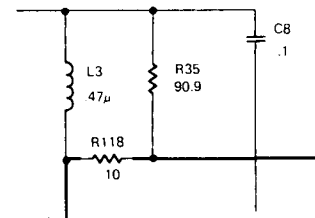
A5 R35 0757 - 0400 R-F 90.9 1% .125W.

On board A5 component layout add R35 in place of CR15. Change schematic 1, top right-hand corner, as shown below.

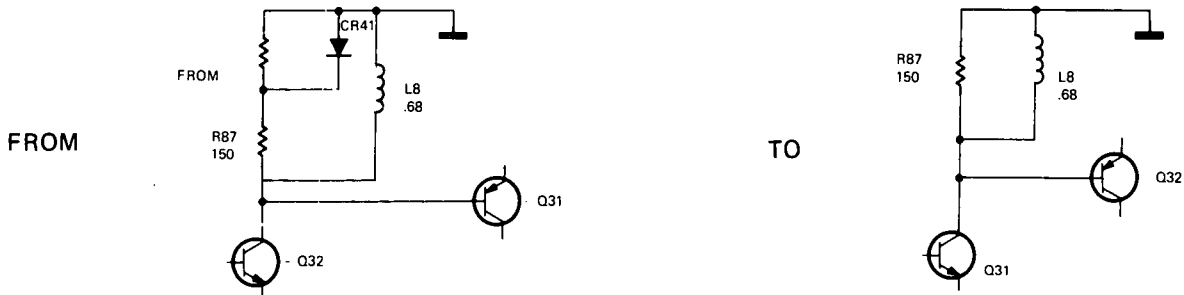
FROM



TO



Schematic 2. Change R44 to 100 and R139 to 200.
Change schematic 3 as shown below.



Schematic 4. Change L11 to 0.33μH, R102 to 2.67K and R168 to 4.75K.

Table 6-5. Change the following components to:

A6	C1	0160 - 2307 C-F 47PF 300V
A6	Q12	1854 - 0630 XSTR SI NPN
A6	R53	0757 - 0178 R-F 100 1% .125W
A6	R64	0698 - 3442 R-F 237 1% .125W

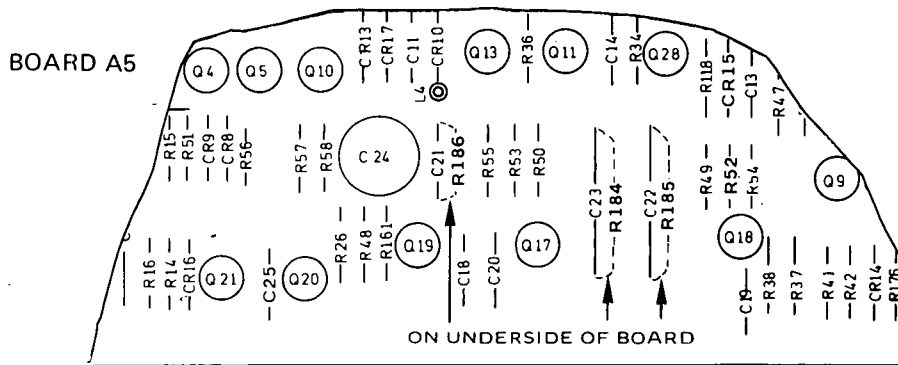
Add

A6 C66 0160-0356 C-F 18PF 300V

On the component layout for board A6 add C66 to the left of potentiometer R65.

Schematic 5. Change the value of C1 to 47PF. Change the value of R53 to 100 and the value of R64 to 237. Add C66, value 18PF, wired in parallel with L10 and C65.

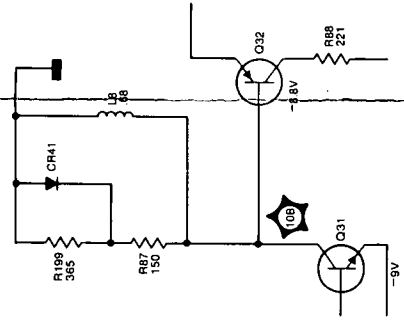
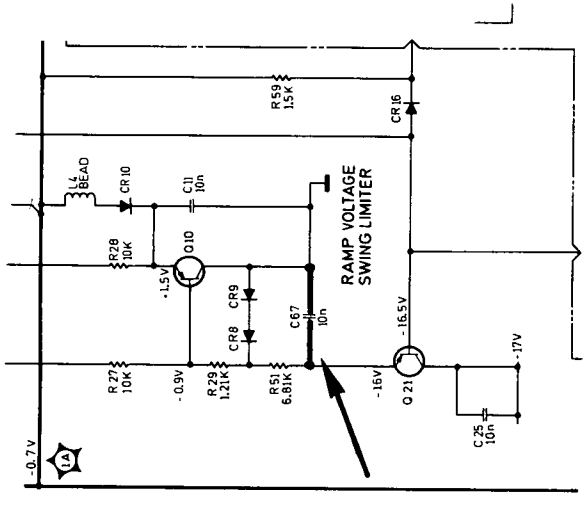
CHANGE 2 (for serial numbers 1412G00101 to 1412G00270) Board A5 component layout. Add C67 as shown below.



SCHEMATICS

Make the following changes to the Schematics.

- Figure 6-7 Schematic Change
- 6-7 2 A5R139: Change value to 162 ohms.
A5R141: Change value to 301 ohms.
- 6-8 3 A5R84: Change value to 560 ohms
A5R193: Change value to 1.27K.
A5R199 and A5CR41: Add as follows:



- 6-9 4 A5RL11: Change value to 0.22 UH.
A5R111: Change value to 562 ohms.
- 6-10 5 A6C66: Delete capacitor.
A6R53: Change value to 120 ohms.
A6R64: Change value to 287 ohms.

6-12 7 Replace with Figure 7-4.

Table 6-4. Add the following component

A5 C67 0150 - 0093 C-F .01μF 100V

Schematic 1. Add C67 as shown below.

CHANGE 3 (for serial numbers 1412G00101 to 1412G00330) Replace figure 6-5, Component Layout, Board A5 with figure 7-1.

CHANGE 4 (for serial numbers 1412G00330 to 1441A10001)

REPLACEABLE PARTS

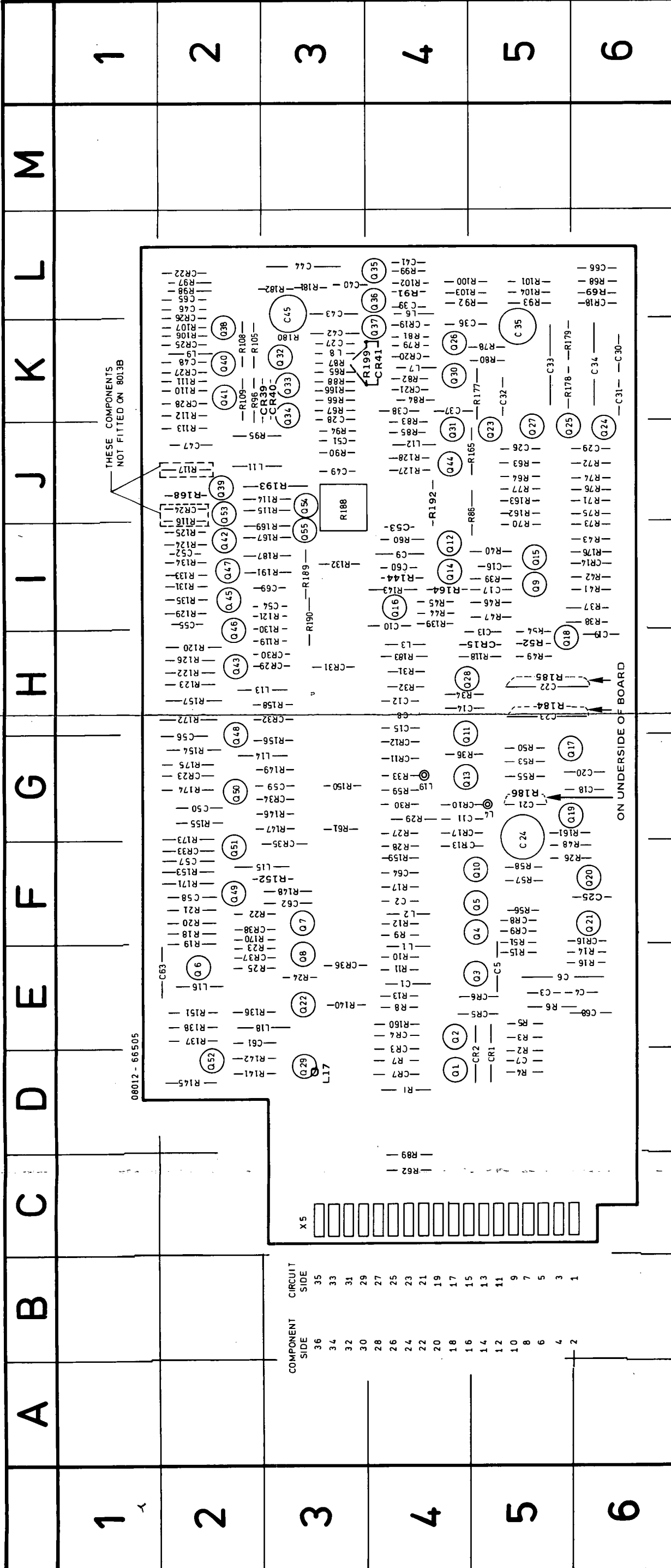
Make the following changes to the Replaceable Parts Tables.

Table	Assembly	Change
6-4	Frame	Replace with table 7-2.
6-5	A5	Replace with table 7-3.
6-6	A6	Replace with table 7-4.
6-7	A7	Replace with table 7-5.

COMPONENT LAYOUTS

Make the following changes to the Component Layout Figures.

Figure	Assembly	Change
6-1	Assembly Diagram	Replace with figure 7-2.
6-2	A5	Replace with figure 7-3.
6-3	A6	Change board part number to 08013-66504.
6-4	A7 (Front)	Change board part number to 08013-66505.
6-5	A7 (Rear)	Change board part number to 08013-66505.



REF DESIG	GRID LOC	REF DESIG	GRID LOC	REF DESIG	GRID LOC	REF DESIG	GRID LOC	REF DESIG	GRID LOC	REF DESIG	GRID LOC	REF DESIG	GRID LOC	REF DESIG	GRID LOC	REF DESIG	GRID LOC	REF DESIG	GRID LOC												
C1	E-4	C24	K-2	CR25	D-5	CR2	K-2	L9	K-2	Q13	G-4	Q36	L-4	R4	E-5	R27	G-4	R51	F-5	R74	J-6	R97	L-2	R120	H-2	R143	I-4	R166	K-3	R189	I-3
C2	F-4	C25	L-2	CR26	D-4	CR3	L-2	L11	L-2	Q14	I-4	Q37	K-4	R5	E-5	R28	G-4	R52	G-4	R75	J-6	R98	L-2	R121	I-3	R144	I-4	R167	I-3	R190	I-3
C3	E-5	C26	K-2	CR27	E-4	CR4	J-2	L12	J-2	Q15	I-5	Q38	K-2	R6	E-5	R29	G-4	R53	G-4	R76	J-6	R99	L-4	R122	H-2	R145	D-2	R168	I-3	R191	I-3
C4	E-6	C27	H-2	CR28	E-5	CR5	H-2	L13	H-2	Q16	I-4	Q39	J-2	R7	E-6	R30	G-4	R54	H-5	R77	J-5	R100	L-5	R123	H-2	R146	G-3	R169	I-3	R192	J-4
C5	E-5	C28	H-3	CR29	E-5	CR6	H-3	L14	H-3	Q17	G-6	Q40	K-2	R8	E-4	R31	H-4	R55	F-5	R78	K-5	R101	L-4	R124	I-2	R147	G-3	R170	F-2	R193	J-3
C6	E-5	C29	I-2	CR30	H-3	CR7	I-2	L15	I-2	Q18	H-5	Q41	K-2	R9	E-4	R32	G-4	R56	F-5	R79	K-4	R102	L-4	R125	I-2	R148	F-3	R171	F-2	R194	K-3
C7	D-5	C30	H-3	CR31	H-3	CR8	H-3	L16	H-3	Q19	F-2	Q42	I-2	R10	E-4	R33	G-4	R57	F-5	R80	K-5	R103	L-4	R126	H-2	R149	G-3	R172	H-2	R195	K-3
C8	H-4	C31	F-2	CR32	F-2	CR9	F-2	L17	F-2	Q20	F-6	Q43	H-2	R11	E-4	R34	H-4	R58	F-5	R81	K-4	R104	L-5	R127	J-4	R150	G-3	R173	F-2	R196	K-3
C9	I-4	C32	H-2	CR33	H-2	CR10	H-2	L18	H-2	Q21	F-6	Q44	J-2	R12	E-4	R35	H-4	R59	F-5	R82	K-4	R105	L-5	R128	J-4	R151	G-2	R174	G-2	R197	G-2
C10	I-4	C33	G-2	CR34	G-2	CR11	G-2	L19	G-2	Q22	F-6	Q45	H-2	R13	E-4	R36	H-4	R60	F-5	R83	K-4	R106	K-2	R129	I-2	R152	F-3	R175	G-2	R198	G-2
C11	G-4	C34	F-2	CR35	F-2	CR12	F-2	L20	F-2	Q23	J-5	Q46	I-2	R14	E-4	R37	I-6	R61	I-4	R84	K-4	R107	K-2	R130	H-3	R153	F-2	R176	I-6	R199	I-6
C12	H-4	C35	E-3	CR36	E-3	CR13	E-3	Q1	D-4	Q24	J-6	Q47	I-2	R15	E-5	R38	I-5	R62	C-4	R85	J-4	R108	K-2	R131	I-2	R154	F-2	R177	K-5	R200	K-5
C13	H-4	C36	E-4	CR37	E-4	CR14	E-4	Q2	E-4	Q25	J-6	Q48	F-2	R16	E-5	R39	I-5	R63	K-5	R86	J-5	R109	K-2	R132	I-3	R155	G-2	R178	K-5	R201	K-5
C14	H-4	C37	E-5	CR38	E-5	CR15	E-5	Q3	E-5	Q26	K-5	Q49	F-2	R17	E-6	R40	I-6	R64	I-2	R87	K-3	R110	K-2	R133	I-3	R156	G-2	R179	K-5	R202	K-5
C15	H-4	C38	F-2	CR39	F-2	CR16	F-2	Q4	E-5	Q27	K-4	Q50	F-2	R18	E-6	R41	I-6	R65	K-3	R88	K-3	R111	K-2	R134	I-2	R157	G-3	R180	K-3	R203	K-3
C16	H-4	C39	F-3	CR40	F-3	CR17	F-3	Q5	E-5	Q28	H-4	Q51	F-2	R19	E-6	R42	I-6	R66	K-3	R89	K-3	R112	K-2	R135	I-2	R158	H-2	R181	K-3	R204	K-3
C17	I-5	C40	F-4	CR41	F-4	CR18	F-4	Q6	E-5	Q29	D-3	Q52	F-2	R20	E-6	R43	I-6	R67	K-3	R90	K-4	R113	J-3	R136	E-2	R159	H-3	R182	L-3	R205	L-3
C18	H-6	C41	L-4	CR42	L-4	CR19	L-4	Q7	E-3	Q30	K-4	Q53	J-2	R21	E-6	R44	I-6	R68	L-6	R91	L-4	R114	J-3	R137	E-2	R160	F-4	R183	H-4	R206	H-4
C19	H-6	C42	K-3	CR43	K-3	CR20	K-3	Q8	E-3	Q31	J-4	Q54	F-2	R22	E-6	R45	I-6	R69	L-6	R92	L-4	R115	J-3	R138	E-2	R161	E-4	R184	H-5	R207	H-5
C20	G-6	C43	L-6	CR44	L-6	CR21	L-6	Q9	F-5	Q32	K-3	Q55	F-2	R23	E-6	R46	I-6	R70	L-5	R93	L-5	R116	J-2	R139	E-2	R162	G-5	R185	H-5	R208	H-5
C21	G-5	C44	L-3	CR45	L-3	CR22	L-3	Q10	F-5	Q33	K-3	Q56	F-2	R24	E-6	R47	I-6	R71	L-5	R94	L-5	R117	J-2	R140	E-2	R163	J-5	R186	H-5	R209	H-5
C22	H-5	C45	L-3	CR46	L-3	CR23	L-3	Q11	G-4	Q34	K-3	Q57	E-2	R25	E-6	R48	I-6	R72	J-6	R95	J-2	R118	H-5	R141	H-5	R164	I-4	R187	I-3	R210	I-3
C23	H-5	C47	J-2	CR47	J-2	CR24	J-2	Q12	I-4	Q35	L-4	Q58	F-5	R26	E-6	R49	I-6	R73	J-6	R96	K-2	R119	H-3	R142	D-2	R165	J-5	R188	J-5	R211	J-3

Figure 7-1. Replacement for Figure 6-2. Component Layout - Board A5

Table 7-2. Replacement for Table 6-4. Frame Replaceable Parts List

Reference Designation	HP Part Number	Qty	Description	Mfr Code	Mfr Part Number
A5	08012-66508		BOARD ASSEMBLY, TIMING	28480	08012-66508
A6	08013-66504		BOARD ASSEMBLY, AMPLIFIER OUTPUT	28480	08013-66504
A7	08013-66505		BOARD ASSEMBLY, MOTHER	28480	08013-66505
DS1	2140-0253	1	LAMP-INCAND T-1 BULB 28V	17537	64(ANSI 6839)
F1	2110-0007	1	FUSE 1A 250V SLO-BLO 1.25X.25 UL	71400	MDL-1
F1	0510-0748	1	FUSEHOLDER-BLOCK 2-FU .25X1.25FUSE	71400	3823-2
F2	2110-0202	1	FUSE .5A 250V SLO-BLO 1.25X.25 UL IEC	75915	313.500S
FL1	9100-3121	1	FILTER-ELEG 2A	28480	9100-3121
J1	1250-0118	6	CONNECTOR-RF BNC FEM SGL HOLE FR	90949	31-2221-1022
J2	1250-0118		CONNECTOR-RF BNC FEM SGL HOLE FR	90949	31-2221-1022
J3	1250-0118		CONNECTOR-RF BNC FEM SGL HOLE FR	90949	31-2221-1022
J4	1250-0118		CONNECTOR-RF BNC FEM SGL HOLE FR	90949	31-2221-1022
J5	1250-0118		CONNECTOR-RF BNC FEM SGL HOLE FR	90949	31-2221-1022
J6	1250-0118		CONNECTOR-RF BNC FEM SGL HOLE FR	90949	31-2221-1022
MP1	1450-0404	1	LIGHT-IND LENS CAP CLR TL LENS	28480	1450-0404
MP2	0370-1005	7	KNOB-BASE-PTR .375 IN JGK SGI-DECAL	28480	0370-1005
MP3	5040-1124	1	KNOB, PUSHBUTTON, POWER	28480	5040-1124
MP5	5040-0445	2	FOOT ASSEMBLY	28480	5040-0445
MP7	08012-00204	1	PANEL, REAR	28480	08012-00204
MP8	08012-04101	2	COVER ASSEMBLY	28480	08012-04101
MP9	08013-00203	1	PANEL, FRONT	28480	08013-00203
MP10	1460-1300	1	STAND, TILT	28480	1460-1300
R1	2100-3081	3	RESISTOR-VAR CONTROL CC 50K 10% 10CW	12697	SERIES 63M
R2	2100-3081		RESISTOR-VAR CONTROL CC 50K 10% 10CW	12697	SERIES 63M
R3	2100-3081		RESISTOR-VAR CONTROL CC 50K 10% 10CW	12697	SERIES 63M
R4	0758-0024	1	RESISTOR 100 5% .25W F TC=0+-100	24566	C5-1/4-T0-101-J
R5	0758-0126	1	RESISTOR 51 5% .25W F TC=0+-100	24566	C5-1/4-T0-51R0-J
R7	2100-2066	2	RESISTOR-VAR CONTROL CC 2K 20% LIN	12697	382
R8	2100-2066		RESISTOR-VAR CONTROL CC 2K 20% LIN	12697	382
R9	2100-2488	2	RESISTOR-VAR CONTROL CC 10K 20% LIN	12697	382
R10	2100-2488		RESISTOR-VAR CONTROL CC 10K 20% LIN	12697	382
S1	3101-0903	1	SWITCH-SL DP3T-NS MINTR .5A 125VAC/DC	79727	G128S-0003A
S2	3101-1609	1	SWITCH-SL 2-DPDT-NS STD 1.5A 250VAC SLDR	82389	11E-1036
S5	3101-0124	1	SWITCH-PB SPST NC MOM	82389	962
T1	08012-61101	1	TRANSFORMER, POWER	28480	08012-61101
W2	08012-61621	1	CABLE ASSEMBLY, SHIL INPUT	28480	08012-61621
W3	08013-61620	4	CABLE ASSEMBLY, SET SHIL	28480	08013-61620
W4	08013-61620		CABLE ASSEMBLY, SET SHIL	28480	08013-61620
W5	08013-61620		CABLE ASSEMBLY, SET SHIL	28480	08013-61620
W6	08013-61620		CABLE ASSEMBLY, SET SHIL	28480	08013-61620
W7	08012-61620	1	CABLE ASSEMBLY, SHIL POWER	28480	08012-61620

See table 6-3 for Manufacturer Codes

Table 7-3. Replacement for Table 6-5. Board A5 Replaceable Parts List

Reference Designation	HP Part Number	Qty	Description	Mfr Code	Mfr Part Number
A5	08012-66508	1	BOARD ASSEMBLY, TIMING	28480	08012-66508
A5C1	0150-0121	20	CAPACITOR-FXD .01UF +80-20% 50WVDC CER	28480	0150-0121
A5C2	0160-2055	47	CAPACITOR-FXD .01UF +80-20% 100WVDC CER	28480	0160-2055
A5C3	0160-2055		CAPACITOR-FXD .01UF +80-20% 100WVDC CER	28480	0160-2055
A5C4	0160-2055		CAPACITOR-FXD .01UF +80-20% 100WVDC CER	28480	0160-2055
A5C5	0160-2199	1	CAPACITOR-FXD 30PF +-5% 300WVDC MICA	28480	0160-2199
A5C6	0180-0374	6	CAPACITOR-FXD; 10UF+-10% 20VDC TA-SOLID	56289	150D106X9020B2
A5C7	0160-2307	1	CAPACITOR-FXD 47PF +-5% 300WVDC MICA	28480	0160-2307
A5C8	0150-0121		CAPACITOR-FXD .01UF +80-20% 50WVDC CER	28480	0150-0121
A5C9	0150-0121		CAPACITOR-FXD .01UF +80-20% 50WVDC CER	28480	0150-0121
A5C10	0160-2055		CAPACITOR-FXD .01UF +80-20% 100WVDC CER	28480	0160-2055
A5C11	0160-2055		CAPACITOR-FXD .01UF +80-20% 100WVDC CER	28480	0160-2055
A5C12	0160-2055		CAPACITOR-FXD .01UF +80-20% 100WVDC CER	28480	0160-2055
A5C13	0160-2055		CAPACITOR-FXD .01UF +80-20% 100WVDC CER	28480	0160-2055
A5C14	0160-2198	4	CAPACITOR-FXD 20PF +-5% 300WVDC MICA	28480	0160-2198
A5C15	0160-2197	1	CAPACITOR-FXD 10PF +-5% 300WVDC MICA	28480	0160-2197
A5C16	0160-2055		CAPACITOR-FXD .01UF +80-20% 100WVDC CER	28480	0160-2055
A5C17	0160-2055		CAPACITOR-FXD .01UF +80-20% 100WVDC CER	28480	0160-2055
A5C18	0160-2055		CAPACITOR-FXD .01UF +80-20% 100WVDC CER	28480	0160-2055
A5C19	0160-2055		CAPACITOR-FXD .01UF +80-20% 100WVDC CER	28480	0160-2055
A5C20	0160-2055		CAPACITOR-FXD .01UF +80-20% 100WVDC CER	28480	0160-2055
A5C21	0160-3714	1	CAPACITOR-FXD 5600PF +-10% 250WVDC MET	28480	0160-3714
A5C22	0160-3725	3	CAPACITOR-FXD .68UF +-10% 40WVDC MET	28480	0160-3725
A5C23	0180-0375	3	CAPACITOR-FXD; 68UF+-10% 20VDC TA-SOLID	56289	150D686X9020B2
A5C24	0121-0046	3	CAPACITOR-V TRMR-CER 9/35PF 200V PC-MTG	00865	304322 9/35PF N650
A5C25	0160-2055		CAPACITOR-FXD .01UF +80-20% 100WVDC CER	28480	0160-2055
A5C26	0160-2055		CAPACITOR-FXD .01UF +80-20% 100WVDC CER	28480	0160-2055
A5C27	0160-2055		CAPACITOR-FXD .01UF +80-20% 100WVDC CER	28480	0160-2055
A5C28	0160-2055		CAPACITOR-FXD .01UF +80-20% 100WVDC CER	28480	0160-2055
A5C29	0160-2055		CAPACITOR-FXD .01UF +80-20% 100WVDC CER	28480	0160-2055
A5C30	0160-2055		CAPACITOR-FXD .01UF +80-20% 100WVDC CER	28480	0160-2055
A5C31	0160-2055		CAPACITOR-FXD .01UF +80-20% 100WVDC CER	28480	0160-2055
A5C32	0160-3220	2	CAPACITOR-FXD 6800PF +-5% 250WVDC MET	FR009	CK8-68
A5C33	0160-3725		CAPACITOR-FXD .68UF +-10% 40WVDC MET	28480	0160-3725
A5C34	0180-0375		CAPACITOR-FXD; 68UF+-10% 20VDC TA-SOLID	56289	150D686X9020B2
A5C35	0121-0046		CAPACITOR-V TRMR-CER 9/35PF 200V PC-MTG	00865	304322 9/35PF N650
A5C36	0150-0121		CAPACITOR-FXD .01UF +80-20% 50WVDC CER	28480	0150-0121
A5C37	0150-0121		CAPACITOR-FXD .01UF +80-20% 50WVDC CER	28480	0150-0121
A5C38	0150-0121		CAPACITOR-FXD .01UF +80-20% 50WVDC CER	28480	0150-0121
A5C39	0160-2055		CAPACITOR-FXD .01UF +80-20% 100WVDC CER	28480	0160-2055
A5C40	0160-2055		CAPACITOR-FXD .01UF +80-20% 100WVDC CER	28480	0160-2055
A5C41	0160-2055		CAPACITOR-FXD .01UF +80-20% 100WVDC CER	28480	0160-2055
A5C42	0160-3220		CAPACITOR-FXD 6800PF +-5% 250WVDC MET	FR009	CK8-68
A5C43	0160-3725		CAPACITOR-FXD .68UF +-10% 40WVDC MET	28480	0160-3725
A5C44	0180-0375		CAPACITOR-FXD; 68UF+-10% 20VDC TA-SOLID	56289	150D686X9020B2
A5C45	0121-0046		CAPACITOR-V TRMR-CER 9/35PF 200V PC-MTG	00865	304322 9/35PF N650
A5C46	0150-0121		CAPACITOR-FXD .01UF +80-20% 50WVDC CER	28480	0150-0121
A5C47	0150-0121		CAPACITOR-FXD .01UF +80-20% 50WVDC CER	28480	0150-0121
A5C48	0150-0121		CAPACITOR-FXD .01UF +80-20% 50WVDC CER	28480	0150-0121
A5C49	0150-0121		CAPACITOR-FXD .01UF +80-20% 50WVDC CER	28480	0150-0121
A5C50	0140-0191	1	CAPACITOR-FXD 56PF +-5% 300WVDC MICA	72136	DM15E560J0304V1CR
A5C51	0160-2055		CAPACITOR-FXD .01UF +80-20% 100WVDC CER	28480	0160-2055
A5C52	0160-2055		CAPACITOR-FXD .01UF +80-20% 100WVDC CER	28480	0160-2055
A5C53	0160-2055		CAPACITOR-FXD .01UF +80-20% 100WVDC CER	28480	0160-2055
A5C54	0160-2055		CAPACITOR-FXD .01UF +80-20% 100WVDC CER	28480	0160-2055
A5C55	0160-2198		CAPACITOR-FXD 20PF +-5% 300WVDC MICA	28480	0160-2198
A5C56	0160-2055		CAPACITOR-FXD .01UF +80-20% 100WVDC CER	28480	0160-2055
A5C57	0160-2055		CAPACITOR-FXD .01UF +80-20% 100WVDC CER	28480	0160-2055
A5C58	0160-2055		CAPACITOR-FXD .01UF +80-20% 100WVDC CER	28480	0160-2055
A5C59	0160-2055		CAPACITOR-FXD .01UF +80-20% 100WVDC CER	28480	0160-2055
A5C60	0160-2055		CAPACITOR-FXD .01UF +80-20% 100WVDC CER	28480	0160-2055
A5C61	0160-2055		CAPACITOR-FXD .01UF +80-20% 100WVDC CER	28480	0160-2055
A5C62	0160-2055		CAPACITOR-FXD .01UF +80-20% 100WVDC CER	28480	0160-2055
A5C63	0160-2055		CAPACITOR-FXD .01UF +80-20% 100WVDC CER	28480	0160-2055
A5C64	0160-2198		CAPACITOR-FXD 20PF +-5% 300WVDC MICA	28480	0160-2198
A5C65	0160-2055		CAPACITOR-FXD .01UF +80-20% 100WVDC CER	28480	0160-2055
A5C66	0160-2055		CAPACITOR-FXD .01UF +80-20% 100WVDC CER	28480	0160-2055
A5C68	0180-0374		CAPACITOR-FXD; 10UF+-10% 20VDC TA-SOLID	56289	150D106X9020B2
A5C69	0160-2055		CAPACITOR-FXD .01UF +80-20% 100WVDC CER	28480	0160-2055
A5CP1	1901-0040	34	DIODE-SWITCHING 30V 50NA 2NS DO-35	28480	1901-0040
A5CA2	1901-0040		DIODE-SWITCHING 30V 50NA 2NS DO-35	28480	1901-0040
A5CA3	1901-0040		DIODE-SWITCHING 30V 50NA 2NS DO-35	28480	1901-0040
A5CA4	1901-0040		DIODE-SWITCHING 30V 50NA 2NS DO-35	28480	1901-0040
A5CA5	1901-0040		DIODE-SWITCHING 30V 50NA 2NS DO-35	28480	1901-0040

See table 6-3 for Manufacturer Codes

Table 7-3. Replacement for Table 6-5. Board A5 Replaceable Parts List (Cont'd)

Reference Designation	HP Part Number	Qty	Description	Mfr Code	Mfr Part Number
A5CR6	1901-0040	1	DIODE-SWITCHING 30V 50NA 2NS 00-35	28480	1901-0040
A5CR7	1902-0037		DIODE-ZNR 9.09V 10% 00-7 PD=.4W	04713	10939-169
A5CR8	1901-0040		DIODE-SWITCHING 30V 50NA 2NS 00-35	28480	1901-0040
A5CR9	1901-0040		DIODE-SWITCHING 30V 50NA 2NS 00-35	28480	1901-0040
A5CR10	1901-0179		DIODE-SWITCHING 15V 5CNA 75UPS 00-7	28480	1901-0179
A5CR11	1901-0040	8	DIODE-SWITCHING 30V 50NA 2NS 00-35	28480	1901-0040
A5CR12	1901-0040		DIODE-SWITCHING 30V 50NA 2NS 00-35	28480	1901-0040
A5CR13	1901-0040		DIODE-SWITCHING 30V 50NA 2NS 00-35	28480	1901-0040
A5CR14	1901-0040		DIODE-SWITCHING 30V 50NA 2NS 00-35	28480	1901-0040
A5CR15	1901-0533		DIODE-SCHOTTKY	28480	1901-0533
A5CR16	1901-0040	2	DIODE-SWITCHING 30V 50NA 2NS 00-35	28480	1901-0040
A5CR17	1910-0022		DIODE-GE 5V 60NA 3.5NS 00-7	28480	1910-0022
A5CR18	1901-0040		DIODE-SWITCHING 30V 50NA 2NS 00-35	28480	1901-0040
A5CR19	1902-0049		E	04713	SZ 10939-122
A5CR20	1901-0040		DIODE-SWITCHING 30V 50NA 2NS 00-35	28480	1901-0040
A5CR21	1902-0126	2	DIODE-ZNR 2.61V 5% 00-7 PD=.4W TC=-.073%	04713	SZ 10939-14
A5CR22	1901-0040		DIODE-SWITCHING 30V 50NA 2NS 00-35	28480	1901-0040
A5CR23	1902-0025		DIODE-ZNR 10V 5% 00-7 PD=.4W TC=+.06%	04713	SZ 10939-182
A5CR25	1901-0040	1	DIODE-SWITCHING 30V 50NA 2NS 00-35	28480	1901-0040
A5CR26	1902-0049		DIODE-ZNR 6.19V 5% 00-7 PD=.4W TC=+.022%	04713	SZ 10939-122
A5CR27	1902-0126		DIODE-ZNR 2.61V 5% 00-7 PD=.4W TC=-.073%	04713	SZ 10939-14
A5CR28	1910-0034		DIODE-GE 30V 80NA 8NS 00-7	28480	1910-0034
A5CR29	1901-0040		DIODE-SWITCHING 30V 50NA 2NS 00-35	28480	1901-0040
A5CR30	1901-0040	DIODE-SWITCHING 30V 50NA 2NS 00-35	28480	1901-0040	
A5CR31	1901-0040	2	DIODE-SWITCHING 30V 50NA 2NS 00-35	28480	1901-0040
A5CR32	1901-0040		DIODE-SWITCHING 30V 50NA 2NS 00-35	28480	1901-0040
A5CR33	1901-0040		DIODE-SWITCHING 30V 50NA 2NS 00-35	28480	1901-0040
A5CR34	1902-0032		DIODE-ZNR 5.49V 5% 00-7 PD=.4W TC=+.009%	04713	SZ 10939-107
A5CR35	1902-0032		DIODE-ZNR 5.49V 5% 00-7 PD=.4W TC=+.009%	04713	SZ 10939-107
A5CR36	1902-0025	1	DIODE-ZNR 10V 5% 00-7 PD=.4W TC=+.06%	04713	SZ 10939-182
A5CR37	1901-0040		DIODE-SWITCHING 30V 50NA 2NS 00-35	28480	1901-0040
A5CR38	1901-0040		DIODE-SWITCHING 30V 50NA 2NS 00-35	28480	1901-0040
A5CR39	1901-0533		DIODE-SCHOTTKY	28480	1901-0533
A5CR40	1901-0533		DIODE-SCHOTTKY	28480	1901-0533
A5CR41	1901-0533	3	DIODE-SCHOTTKY	28480	1901-0533
A5L1	9100-1611		COIL-FXD MOLDED RF CHOKE .22UH 20%	24226	15/220
A5L2	9100-1614		COIL-FXD MOLDED RF CHOKE .82UH 10%	24226	15/820
A5L3	9100-1611		COIL-FXD MOLDED RF CHOKE .22UH 20%	24226	15/220
A5L4	9170-0029		CORE-SHIELDING BEAD	02114	56-590-65A2/4A
A5L6	9140-0179	2	COIL-FXD MOLDED RF CHOKE 22UH 10%	24226	15/222
A5L7	9100-1613		COIL-FXD MOLDED RF CHOKE .47UH 20%	24226	15/470
A5L8	9140-0094	1	COIL-FXD MOLDED RF CHOKE .68UH 10%	24226	15/680
A5L9	9140-0179		COIL-FXD MOLDED RF CHOKE 22UH 10%	24226	15/222
A5L11	9100-1611	2	COIL-FXD MOLDED RF CHOKE .22UH 20%	24226	15/220
A5L12	9140-0096		COIL-FXD MOLDED RF CHOKE 1UH 10%	24226	15/101
A5L13	9140-0096	1	COIL-FXD MOLDED RF CHOKE 1UH 10%	24226	15/101
A5L14	9100-1613		COIL-FXD MOLDED RF CHOKE .47UH 20%	24226	15/470
A5L15	9100-1613		COIL-FXD MOLDED RF CHOKE .47UH 20%	24226	15/470
A5L16	9140-0112		COIL-FXD MOLDED RF CHOKE .4.7UH 10%	24226	15/471
A5L17	9170-0029		CORE-SHIELDING BEAD	02114	56-590-65A2/4A
A5L18	9100-1614		COIL-FXD MOLDED RF CHOKE .82UH 10%	24226	15/820
A5L19	9170-0029		CORE-SHIELDING BEAD	02114	56-590-65A2/4A
A5MP28	1205-0037	10	HEAT-DISSIPATOR SGL TO-36 PKG	28480	1205-0037
A5MP29	1205-0037		HEAT-DISSIPATOR SGL TC-36 PKG	28480	1205-0037
A5Q1	1854-0296	2	TRANSISTOR NPN SI TO-92 PD=310MW	28480	1854-0296
A5Q2	1854-0296		TRANSISTOR NPN SI TO-92 PD=310MW	28480	1854-0296
A5Q3	1854-0092	4	TRANSISTOR NPN SI PD=200MW FT=600MHZ	28480	1854-0092
A5Q4	1854-0092		TRANSISTOR NPN SI PD=200MW FT=600MHZ	28480	1854-0092
A5Q5	1853-0096	1	TRANSISTOR PNP SI TO-18 PD=360MW	28480	1853-0096
A5Q6	1854-0019	4	TRANSISTOR NPN SI TO-18 PD=360MW	28480	1854-0019
A5Q7	1853-0034		TRANSISTOR PNP SI TO-18 PD=360MW	28480	1853-0034
A5Q8	1853-0034	3	TRANSISTOR PNP SI TO-18 PD=360MW	28480	1853-0034
A5Q9	1853-0357		TRANSISTOR PNP SI TO-18 PD=360MW	28480	1853-0357
A5Q10	1853-0036	20	TRANSISTOR PNP SI PD=310MW FT=250MHZ	28480	1853-0036
A5Q11	1853-0357	8	TRANSISTOR PNP SI TO-18 PD=360MW	28480	1853-0357
A5Q12	1853-0357		TRANSISTOR PNP SI TO-18 PD=360MW	28480	1853-0357
A5Q13	1854-0345		TRANSISTOR NPN 2N5179 SI TO-72 PD=200MW	04713	2N5179
A5Q14	1853-0357		TRANSISTOR PNP SI TO-18 PD=360MW	28480	1853-0357
A5Q15	1853-0357		TRANSISTOR PNP SI TO-18 PD=360MW	28480	1853-0357
A5Q16	1854-0009	4	TRANSISTOR NPN 2N729 SI TO-18 PD=300MW	28480	1854-0009
A5Q17	1854-0215		TRANSISTOR NPN SI PD=350MW FT=300MHZ	04713	SPS 3611
A5Q18	1854-0215		TRANSISTOR NPN SI PD=350MW FT=300MHZ	04713	SPS 3611
A5Q19	1854-0215		TRANSISTOR NPN SI PD=350MW FT=300MHZ	04713	SPS 3611
A5Q20	1854-0019		TRANSISTOR NPN SI TO-18 PD=360MW	28480	1854-0019

See table 6-3 for Manufacturer Codes

Table 7-3. Replacement for Table 6-5. Board A5 Replaceable Parts List (Cont'd)

Reference Designation	HP Part Number	Qty	Description	Mfr Code	Mfr Part Number
A5Q21	1853-0036		TRANSISTOR PNP SI PD=310MW FT=250MHZ	28480	1853-0036
A5Q22	1854-0019		TRANSISTOR NPN SI TO-18 PD=360MW	28480	1854-0019
A5Q23	1853-0036		TRANSISTOR PNP SI PD=310MW FT=250MHZ	28480	1853-0036
A5Q24	1853-0036		TRANSISTOR PNP SI PD=310MW FT=250MHZ	28480	1853-0036
A5Q25	1853-0036		TRANSISTOR PNP SI PD=310MW FT=250MHZ	28480	1853-0036
A5Q26	1853-0357		TRANSISTOR PNP SI TO-18 PD=360MW	28480	1853-0357
A5Q27	1853-0036		TRANSISTOR PNP SI PD=310MW FT=250MHZ	28480	1853-0036
A5Q28	1854-0019		TRANSISTOR NPN SI TO-18 PD=360MW	28480	1854-0019
A5Q29	1853-0034		TRANSISTOR PNP SI TO-18 PD=360MW	28480	1853-0034
A5Q30	1854-0345		TRANSISTOR NPN 2N5179 SI TO-72 PD=200MW	04713	2N5179
A5Q31	1854-0345		TRANSISTOR NPN 2N5179 SI TO-72 PD=200MW	04713	2N5179
A5Q32	1853-0018	1	TRANSISTOR PNP SI TO-72 PD=200MW FT=1GHZ	28480	1853-0018
A5Q33	1853-0357		TRANSISTOR PNP SI TO-18 PD=360MW	28480	1853-0357
A5Q34	1853-0036		TRANSISTOR PNP SI PD=310MW FT=250MHZ	28480	1853-0036
A5Q35	1853-0036		TRANSISTOR PNP SI PD=310MW FT=250MHZ	28480	1853-0036
A5Q36	1853-0036		TRANSISTOR PNP SI PD=310MW FT=250MHZ	28480	1853-0036
A5Q37	1853-0036		TRANSISTOR PNP SI PD=310MW FT=250MHZ	28480	1853-0036
A5Q38	1853-0357		TRANSISTOR PNP SI TO-18 PD=360MW	28480	1853-0357
A5Q39	1853-0357		TRANSISTOR PNP SI TO-18 PD=360MW	28480	1853-0357
A5Q40	1854-0345		TRANSISTOR NPN 2N5179 SI TO-72 PD=200MW	04713	2N5179
A5Q41	1854-0345		TRANSISTOR NPN 2N5179 SI TO-72 PD=200MW	04713	2N5179
A5Q42	1854-0009		TRANSISTOR NPN 2N709 SI TO-18 PD=300MW	28480	1854-0009
A5Q43	1853-0357		TRANSISTOR PNP SI TO-18 PD=360MW	28480	1853-0357
A5Q44	1853-0015	1	TRANSISTOR PNP SI PD=200MW FT=500MHZ	28480	1853-0015
A5Q45	1854-0345		TRANSISTOR NPN 2N5179 SI TO-72 PD=200MW	04713	2N5179
A5Q46	1854-0345		TRANSISTOR NPN 2N5179 SI TO-72 PD=200MW	04713	2N5179
A5Q47	1854-0009		TRANSISTOR NPN 2N709 SI TO-18 PD=300MW	28480	1854-0009
A5Q48	1854-0215		TRANSISTOR NPN SI PD=350MW FT=300MHZ	04713	SPS 3611
A5Q49	1854-0215		TRANSISTOR NPN SI PD=350MW FT=300MHZ	04713	SPS 3611
A5Q50	1854-0092		TRANSISTOR NPN SI PD=200MW FT=600MHZ	28480	1854-0092
A5Q51	1854-0092		TRANSISTOR NPN SI PD=200MW FT=600MHZ	28480	1854-0092
A5Q52	1854-0009		TRANSISTOR NPN 2N709 SI TO-18 PD=300MW	28480	1854-0009
A5Q53	1853-0357		TRANSISTOR PNP SI TO-18 PD=360MW	28480	1853-0357
A5Q54	1853-0218	2	TRANSISTOR PNP SI TO-18 PD=360MW	28480	1853-0218
A5Q55	1853-0218		TRANSISTOR PNP SI TO-18 PD=360MW	28480	1853-0218
A5R1	0758-0024	3	RESISTOR 100 5% .25W F TC=0+-100	24546	C4-1/4-T0-101-J
A5R2	0698-0083	4	RESISTOR 1.96K 1% .125W F TC=0+-100	16299	C4-1/8-T0-1961-F
A5R3	0698-0083		RESISTOR 1.96K 1% .125W F TC=0+-100	16299	C4-1/8-T0-1961-F
A5R4	0757-0276	1	RESISTOR 61.9 1% .125W F TC=0+-100	24546	C4-1/8-T0-6192-F
A5R5	0698-3443	2	RESISTOR 287 1% .125W F TC=0+-100	16299	C4-1/8-T0-287R-F
A5R6	0698-3443		RESISTOR 287 1% .125W F TC=0+-100	16299	C4-1/8-T0-287R-F
A5R7	0757-0448	3	RESISTOR 18.2K 1% .125W F TC=0+-100	24546	C4-1/8-T0-1822-F
A5R8	0757-1094	3	RESISTOR 1.47K 1% .125W F TC=0+-100	24546	C4-1/8-T0-1471-F
A5R9	0757-0401	14	RESISTOR 100 1% .125W F TC=0+-100	24546	C4-1/8-T0-101-F
A5R10	0757-0400	3	RESISTOR 90.9 1% .125W F TC=0+-100	24546	C4-1/8-T0-909R-F
A5R11	0757-0421	3	RESISTOR 825 1% .125W F TC=0+-100	24546	C4-1/8-T0-825R-F
A5R12	0757-0282	2	RESISTOR 221 1% .125W F TC=0+-100	24546	C4-1/8-T0-221R-F
A5R13	0757-0420	4	RESISTOR 750 1% .125W F TC=0+-100	24546	C4-1/8-T0-751-F
A5R14	0757-0426	3	RESISTOR 1.3K 1% .125W F TC=0+-100	24546	C4-1/8-T0-1301-F
A5R15	0698-4426	1	RESISTOR 1.58K 1% .125W F TC=0+-100	16299	C4-1/8-T0-1581-F
A5R16	0757-0407	7	RESISTOR 200 1% .125W F TC=0+-100	24546	C4-1/8-T0-201-F
A5R17	0757-0395	3	RESISTOR 56.2 1% .125W F TC=0+-100	24546	C4-1/8-T0-56R2-F
A5R18	0757-0442	11	RESISTOR 10K 1% .125W F TC=0+-100	24546	C4-1/8-T0-1002-F
A5R19	0757-0399	3	RESISTOR 82.5 1% .125W F TC=0+-100	24546	C4-1/8-T0-82P5-F
A5R20	0757-0409	4	RESISTOR 274 1% .125W F TC=0+-100	24546	C4-1/8-T0-274R-F
A5R21	0757-0424	5	RESISTOR 1.1K 1% .125W F TC=0+-100	24546	C4-1/8-T0-1101-F
A5R22	0757-0448		RESISTOR 18.2K 1% .125W F TC=0+-100	24546	C4-1/8-T0-1822-F
A5R23	0757-0283	1	RESISTOR 2K 1% .125W F TC=0+-100	24546	C4-1/8-T0-2001-F
A5R24	0757-0428	2	RESISTOR 1.62K 1% .125W F TC=0+-100	24546	C4-1/8-T0-1621-F
A5R25	0757-0406	2	RESISTOR 182 1% .125W F TC=0+-100	24546	C4-1/8-T0-182R-F
A5R26	0757-0443	4	RESISTOR 11K 1% .125W F TC=0+-100	24546	C4-1/8-T0-1102-F
A5R27	0757-0442		RESISTOR 10K 1% .125W F TC=0+-100	24546	C4-1/8-T0-1002-F
A5R28	0757-0442		RESISTOR 10K 1% .125W F TC=0+-100	24546	C4-1/8-T0-1002-F
A5R29	0757-0274	11	RESISTOR 1.21K 1% .125W F TC=0+-100	24546	C4-1/8-T0-1213-F
A5R30	0757-0273	4	RESISTOR 3.01K 1% .125W F TC=0+-100	24546	C4-1/8-T0-3011-F
A5R31	0757-0428		RESISTOR 1.62K 1% .125W F TC=0+-100	24546	C4-1/8-T0-1621-F
A5R32	0698-0085	1	RESISTOR 2.61K 1% .125W F TC=0+-100	16299	C4-1/8-T0-2611-F
A5R33	0757-0404	4	RESISTOR 130 1% .125W F TC=0+-100	24546	C4-1/8-T0-131-F
A5R34	0757-0401		RESISTOR 100 1% .125W F TC=0+-100	24546	C4-1/8-T0-101-F
A5R36	0757-0404		RESISTOR 130 1% .125W F TC=0+-100	24546	C4-1/8-T0-131-F
A5R37	0698-3151	1	RESISTOR 2.87K 1% .125W F TC=0+-100	16299	C4-1/8-T0-2871-F
A5R38	0698-0084	7	RESISTOR 2.15K 1% .125W F TC=0+-100	16299	C4-1/8-T0-2151-F
A5R39	0757-0438	12	RESISTOR 5.11K 1% .125W F TC=0+-100	24546	C4-1/8-T0-5111-F
A5R40	0757-0420		RESISTOR 750 1% .125W F TC=0+-100	24546	C4-1/8-T0-751-F
A5R41	0757-0421		RESISTOR 825 1% .125W F TC=0+-100	24546	C4-1/8-T0-825R-F

See table 6-3 for Manufacturer Codes

Table 7-3. Replacement for Table 6-5. Board A5 Replaceable Parts List (Cont'd)

Reference Designation	HP Part Number	Qty	Description	Mfr Code	Mfr Part Number
A5R42	0757-0401		RESISTOR 100 1% .125W F TC=0+-100	24546	C4-1/8-T0-101-F
A5P43	0757-0401		RESISTOR 100 1% .125W F TC=0+-100	24546	C4-1/8-T0-101-F
A5R44	J757-0403	2	RESISTOR 121 1% .125W F TC=0+-100	24546	C4-1/8-T0-121R-F
A5R45	0757-0407		RESISTOR 200 1% .125W F TC=0+-100	24546	C4-1/8-T0-201-F
A5R46	0698-0084		RESISTOR 2.15K 1% .125W F TC=0+-100	16299	C4-1/8-T0-2151-F
A5R47	0757-0274		RESISTOR 1.21K 1% .125W F TC=0+-100	24546	C4-1/8-T0-1213-F
A5R48	0757-0438		RESISTOR 5.11K 1% .125W F TC=0+-100	24546	C4-1/8-T0-5111-F
A5R49	0757-0438		RESISTOR 5.11K 1% .125W F TC=0+-100	24546	C4-1/8-T0-5111-F
A5R50	0757-0438		RESISTOR 5.11K 1% .125W F TC=0+-100	24546	C4-1/8-T0-5111-F
A5R51	0757-0439	1	RESISTOR 6.81K 1% .125W F TC=0+-100	24546	C4-1/8-T0-6811-F
A5R52	0757-0443		RESISTOR 11K 1% .125W F TC=0+-100	24546	C4-1/8-T0-1102-F
A5R53	0757-0443		RESISTOR 11K 1% .125W F TC=0+-100	24546	C4-1/8-T0-1102-F
A5R54	0757-0274		RESISTOR 1.21K 1% .125W F TC=0+-100	24546	C4-1/8-T0-1213-F
A5R55	0757-0274		RESISTOR 1.21K 1% .125W F TC=0+-100	24546	C4-1/8-T0-1213-F
A5R56	0757-0417	3	RESISTOR 562 1% .125W F TC=0+-100	24546	C4-1/8-T0-562R-F
A5R57	0757-0438		RESISTOR 5.11K 1% .125W F TC=0+-100	24546	C4-1/8-T0-5111-F
A5R58	0757-0433	2	RESISTOR 3.32K 1% .125W F TC=0+-100	24546	C4-1/8-T0-3321-F
A5R59	0757-0427	3	RESISTOR 1.5K 1% .125W F TC=0+-100	24546	C4-1/8-T0-1501-F
A5R60	0757-0273		RESISTOR 3.01K 1% .125W F TC=0+-100	24546	C4-1/8-T0-3011-F
A5R61	0757-0273		RESISTOR 3.01K 1% .125W F TC=0+-100	24546	C4-1/8-T0-3011-F
A5R62	0757-0391	1	RESISTOR 39.2 1% .125W F TC=0+-100	24546	C4-1/8-T0-392-F
A5R63	0698-3439	1	RESISTOR 178 1% .125W F TC=0+-100	16299	C4-1/8-T0-178R-F
A5R64	0698-0084		RESISTOR 2.15K 1% .125W F TC=0+-100	16299	C4-1/8-T0-2151-F
A5R65	0757-0429	3	RESISTOR 1.82K 1% .125W F TC=0+-100	24546	C4-1/8-T0-1821-F
A5R66	0757-0447	1	RESISTOR 16.2K 1% .125W F TC=0+-100	24546	C4-1/8-T0-1622-F
A5R67	0757-0421		RESISTOR 825 1% .125W F TC=0+-100	24546	C4-1/8-T0-825R-F
A5R68	0757-0278	3	RESISTOR 1.78K 1% .125W F TC=0+-100	24546	C4-1/8-T0-1781-F
A5R69	0698-0084		RESISTOR 2.15K 1% .125W F TC=0+-100	16299	C4-1/8-T0-2151-F
A5R70	0698-3492	10	RESISTOR 2.67K 1% .125W F TC=0+-100	16299	C4-1/8-T0-2671-F
A5R71	0698-3492		RESISTOR 2.67K 1% .125W F TC=0+-100	16299	C4-1/8-T0-2671-F
A5R72	0698-3492		RESISTOR 2.67K 1% .125W F TC=0+-100	16299	C4-1/8-T0-2671-F
A5R73	0698-3158	6	RESISTOR 23.7K 1% .125W F TC=0+-100	16299	C4-1/8-T0-2372-F
A5R74	0698-3158		RESISTOR 23.7K 1% .125W F TC=0+-100	16299	C4-1/8-T0-2372-F
A5R75	0757-0438		RESISTOR 5.11K 1% .125W F TC=0+-100	24546	C4-1/8-T0-5111-F
A5R76	0757-0438		RESISTOR 5.11K 1% .125W F TC=0+-100	24546	C4-1/8-T0-5111-F
A5R77	0757-0290	4	RESISTOR 6.19K 1% .125W F TC=0+-100	19701	MF4C1/8-T0-6191-F
A5P78	0757-0390	4	RESISTOR 36.5 1% .125W F TC=0+-100	24546	C4-1/8-T0-36R5-F
A5R79	0757-0393	4	RESISTOR 47.5 1% .125W F TC=0+-100	24546	C4-1/8-T0-47R5-F
A5R80	0757-0390		RESISTOR 36.5 1% .125W F TC=0+-100	24546	C4-1/8-T0-36R5-F
A5R81	0757-0427		RESISTOR 1.5K 1% .125W F TC=0+-100	24546	C4-1/8-T0-1501-F
A5R82	0757-0409		RESISTOR 274 1% .125W F TC=0+-100	24546	C4-1/8-T0-274R-F
A5R83	0757-0404		RESISTOR 130 1% .125W F TC=0+-100	24546	C4-1/8-T0-131-F
A5R84	0758-0002	2	RESISTOR 560 5% .25W F TC=0+-100	24546	C5-1/4-T0-561-J
A5R85	0757-0429		RESISTOR 1.82K 1% .125W F TC=0+-100	24546	C4-1/8-T0-1821-F
A5R86	0757-0284	3	RESISTOR 150 1% .125W F TC=0+-100	24546	C4-1/8-T0-151-F
A5R87	0757-0284		RESISTOR 150 1% .125W F TC=0+-100	24546	C4-1/8-T0-151-F
A5R88	0757-0282		RESISTOR 221 1% .125W F TC=0+-100	24546	C4-1/8-T0-221R-F
A5R89	0757-0389	3	RESISTOR 33.2 1% .125W F TC=0+-100	24546	C4-1/8-T0-33R2-F
A5R90	0698-3438	1	RESISTOR 147 1% .125W F TC=0+-100	16299	C4-1/8-T0-147R-F
A5R91	0698-3158		RESISTOR 23.7K 1% .125W F TC=0+-100	16299	C4-1/8-T0-2372-F
A5R92	0698-3158		RESISTOR 23.7K 1% .125W F TC=0+-100	16299	C4-1/8-T0-2372-F
A5R93	0698-3158		RESISTOR 23.7K 1% .125W F TC=0+-100	16299	C4-1/8-T0-2372-F
A5R94	0698-4424	1	RESISTOR 1.4K 1% .125W F TC=0+-100	16299	C4-1/8-T0-1401-F
A5R95	0757-0290		RESISTOR 6.19K 1% .125W F TC=0+-100	19701	MF4C1/8-T0-6191-F
A5R96	0757-0401		RESISTOR 100 1% .125W F TC=0+-100	24546	C4-1/8-T0-101-F
A5R97	0757-0278		RESISTOR 1.78K 1% .125W F TC=0+-100	24546	C4-1/8-T0-1781-F
A5R98	0698-0084		RESISTOR 2.15K 1% .125W F TC=0+-100	16299	C4-1/8-T0-2151-F
A5R99	0757-0438		RESISTOR 5.11K 1% .125W F TC=0+-100	24546	C4-1/8-T0-5111-F
A5R100	0757-0438		RESISTOR 5.11K 1% .125W F TC=0+-100	24546	C4-1/8-T0-5111-F
A5R101	0757-0438		RESISTOR 5.11K 1% .125W F TC=0+-100	24546	C4-1/8-T0-5111-F
A5R102	0698-3492		RESISTOR 2.67K 1% .125W F TC=0+-100	16299	C4-1/8-T0-2671-F
A5R103	0698-3492		RESISTOR 2.67K 1% .125W F TC=0+-100	16299	C4-1/8-T0-2671-F
A5R104	0698-3492		RESISTOR 2.67K 1% .125W F TC=0+-100	16299	C4-1/8-T0-2671-F
A5R105	0757-0390		RESISTOR 36.5 1% .125W F TC=0+-100	24546	C4-1/8-T0-36R5-F
A5R106	0757-0393		RESISTOR 47.5 1% .125W F TC=0+-100	24546	C4-1/8-T0-47R5-F
A5R107	0757-0427		RESISTOR 1.5K 1% .125W F TC=0+-100	24546	C4-1/8-T0-1501-F
A5R108	0757-0390		RESISTOR 36.5 1% .125W F TC=0+-100	24546	C4-1/8-T0-36R5-F
A5R109	0757-0409		RESISTOR 274 1% .125W F TC=0+-100	24546	C4-1/8-T0-274R-F
A5R110	0757-0404		RESISTOR 130 1% .125W F TC=0+-100	24546	C4-1/8-T0-131-F
A5R111	0758-0002		RESISTOR 560 5% .25W F TC=0+-100	24546	C5-1/4-T0-561-J
A5R112	0757-0442		RESISTOR 10K 1% .125W F TC=0+-100	24546	C4-1/8-T0-1002-F
A5R113	0757-0429		RESISTOR 1.82K 1% .125W F TC=0+-100	24546	C4-1/8-T0-1821-F
A5R114	0757-0401		RESISTOR 100 1% .125W F TC=0+-100	24546	C4-1/8-T0-101-F
A5R115	0757-0394	1	RESISTOR 51.1 1% .125W F TC=0+-100	24546	C4-1/8-T0-51R1-F

See table 6-3 for Manufacturer Codes

Table 7-3. Replacement for Table 6-5. Board A5 Replaceable Parts List (Cont'd)

Reference Designation	HP Part Number	Qty	Description	Mfr Code	Mfr Part Number
A5R118	0757-0346	9	RESISTOR 10 1% .125W F TC=0+-100	24546	C4-1/8-T0-10R0-F
A5R119	0698-3492		RESISTOR 2.67K 1% .125W F TC=0+-100	16299	C4-1/8-T0-2671-F
A5R120	0758-0126	2	RESISTOR 51 5% .25W F TC=0+-100	24546	C5-1/4-T0-51R0-J
A5R121	0757-0407		RESISTOR 200 1% .125W F TC=0+-100	24546	C4-1/8-T0-201-F
A5R122	0757-0419	2	RESISTOR 681 1% .125W F TC=0+-100	24546	C4-1/8-T0-681R-F
A5R123	0757-0419		RESISTOR 681 1% .125W F TC=0+-100	24546	C4-1/8-T0-681R-F
A5R124	0757-0280	10	RESISTOR 1K 1% .125W F TC=0+-100	24546	C4-1/8-T0-1001-F
A5R125	0757-0437	4	RESISTOR 4.75K 1% .125W F TC=0+-100	24546	C4-1/8-T0-4751-F
A5R126	0757-0405	3	RESISTOR 162 1% .125W F TC=0+-100	24546	C4-1/8-T0-162R-F
A5R127	0757-0399		RESISTOR 82.5 1% .125W F TC=0+-100	24546	C4-1/8-T0-82R5-F
A5R128	0757-0411	4	RESISTOR 332 1% .125W F TC=0+-100	24546	C4-1/8-T0-332R-F
A5R129	0757-0424		RESISTOR 1.1K 1% .125W F TC=0+-100	24546	C4-1/8-T0-1101-F
A5R130	0757-0420		RESISTOR 750 1% .125W F TC=0+-100	24546	C4-1/8-T0-751-F
A5R131	0757-0278		RESISTOR 1.78K 1% .125W F TC=0+-100	24546	C4-1/8-T0-1781-F
A5R132	0757-0438		RESISTOR 5.11K 1% .125W F TC=0+-100	24546	C4-1/8-T0-5111-F
A5R133	0757-0426		RESISTOR 1.3K 1% .125W F TC=0+-100	24546	C4-1/8-T0-1301-F
A5R134	0757-0407		RESISTOR 200 1% .125W F TC=0+-100	24546	C4-1/8-T0-201-F
A5R135	0757-0436	1	RESISTOR 4.32K 1% .125W F TC=0+-100	24546	C4-1/8-T0-4321-F
A5R136	0757-0409		RESISTOR 274 1% .125W F TC=0+-100	24546	C4-1/8-T0-274R-F
A5R137	0757-0430	1	RESISTOR 2.21K 1% .125W F TC=0+-100	24546	C4-1/8-T0-2211-F
A5R138	0757-0274		RESISTOR 1.21K 1% .125W F TC=0+-100	24546	C4-1/8-T0-1213-F
A5R139	0757-0405		RESISTOR 162 1% .125W F TC=0+-100	24546	C4-1/8-T0-162R-F
A5R140	0757-0401		RESISTOR 100 1% .125W F TC=0+-100	24546	C4-1/8-T0-101-F
A5R141	0757-0410	1	RESISTOR 301 1% .125W F TC=0+-100	24546	C4-1/8-T0-301R-F
A5R142	0757-0388	9	RESISTOR 30.1 1% .125W F TC=0+-100	24546	C4-1/8-T0-30R1-F
A5R143	0757-0437		RESISTOR 4.75K 1% .125W F TC=0+-100	24546	C4-1/8-T0-4751-F
A5R144	0757-0280		RESISTOR 1K 1% .125W F TC=0+-100	24546	C4-1/8-T0-1001-F
A5R145	0757-0406		RESISTOR 182 1% .125W F TC=0+-100	24546	C4-1/8-T0-182R-F
A5R146	0757-1094		RESISTOR 1.47K 1% .125W F TC=0+-100	24546	C4-1/8-T0-1471-F
A5R147	0757-1094		RESISTOR 1.47K 1% .125W F TC=0+-100	24546	C4-1/8-T0-1471-F
A5R148	0757-0401		RESISTOR 100 1% .125W F TC=0+-100	24546	C4-1/8-T0-101-F
A5R149	0757-0401		RESISTOR 100 1% .125W F TC=0+-100	24546	C4-1/8-T0-101-F
A5R150	0757-0346		RESISTOR 10 1% .125W F TC=0+-100	24546	C4-1/8-T0-10R0-F
A5R151	0757-0414	1	RESISTOR 432 1% .125W F TC=0+-100	24546	C4-1/8-T0-432R-F
A5R152	0757-0398	3	RESISTOR 75 1% .125W F TC=0+-100	24546	C4-1/8-T0-75R0-F
A5R153	0757-0424		RESISTOR 1.1K 1% .125W F TC=0+-100	24546	C4-1/8-T0-1101-F
A5R154	0757-0424		RESISTOR 1.1K 1% .125W F TC=0+-100	24546	C4-1/8-T0-1101-F
A5R155	0757-0280		RESISTOR 1K 1% .125W F TC=0+-100	24546	C4-1/8-T0-1001-F
A5R156	0757-0398		RESISTOR 75 1% .125W F TC=0+-100	24546	C4-1/8-T0-75R0-F
A5R157	0757-0280		RESISTOR 1K 1% .125W F TC=0+-100	24546	C4-1/8-T0-1001-F
A5R158	0757-0433		RESISTOR 3.32K 1% .125W F TC=0+-100	24546	C4-1/8-T0-3321-F
A5R159	0757-0384	5	RESISTOR 20 1% .125W F TC=0+-100	19701	MF4C1/8-T0-20R0-F
A5R160	0757-0401		RESISTOR 100 1% .125W F TC=0+-100	24546	C4-1/8-T0-101-F
A5R161	0757-0274		RESISTOR 1.21K 1% .125W F TC=0+-100	24546	C4-1/8-T0-1213-F
A5R162	0698-3158		RESISTOR 23.7K 1% .125W F TC=0+-100	16299	C4-1/8-T0-2372-F
A5R163	0757-0438		RESISTOR 5.11K 1% .125W F TC=0+-100	24546	C4-1/8-T0-5111-F
A5R164	0757-0346		RESISTOR 10 1% .125W F TC=0+-100	24546	C4-1/8-T0-10R0-F
A5R165	0757-0346		RESISTOR 10 1% .125W F TC=0+-100	24546	C4-1/8-T0-10R0-F
A5R166	0757-0401		RESISTOR 100 1% .125W F TC=0+-100	24546	C4-1/8-T0-101-F
A5R167	0757-0407		RESISTOR 200 1% .125W F TC=0+-100	24546	C4-1/8-T0-201-F
A5R168	0757-0279	1	RESISTOR 3.16K 1% .125W F TC=0+-100	24546	C4-1/8-T0-3161-F
A5R169	0757-0422	2	RESISTOR 909 1% .125W F TC=0+-100	24546	C4-1/8-T0-909R-F
A5R170	0757-0346		RESISTOR 10 1% .125W F TC=0+-100	24546	C4-1/8-T0-10R0-F
A5R171	0757-0346		RESISTOR 10 1% .125W F TC=0+-100	24546	C4-1/8-T0-10R0-F
A5R172	0757-0346		RESISTOR 10 1% .125W F TC=0+-100	24546	C4-1/8-T0-10R0-F
A5R173	0757-0395		RESISTOR 56.2 1% .125W F TC=0+-100	24546	C4-1/8-T0-56R2-F
A5R174	0757-0407		RESISTOR 200 1% .125W F TC=0+-100	24546	C4-1/8-T0-201-F
A5R175	0757-0290		RESISTOR 6.19K 1% .125W F TC=0+-100	19701	MF4C1/8-T0-6191-F
A5R176	0757-0408	4	RESISTOR 243 1% .125W F TC=0+-100	24546	C4-1/8-T0-243R-F
A5R177	0683-1055	9	RESISTOR 1M 5% .25W FC TC=-800/+900	01121	CB1055
A5R178	0683-1055		RESISTOR 1M 5% .25W FC TC=-800/+900	01121	CB1055
A5R179	0683-1055		RESISTOR 1M 5% .25W FC TC=-800/+900	01121	CB1055
A5R180	0683-1055		RESISTOR 1M 5% .25W FC TC=-800/+900	01121	CB1055
A5R181	0683-1055		RESISTOR 1M 5% .25W FC TC=-800/+900	01121	CB1055
A5R182	0683-1055		RESISTOR 1M 5% .25W FC TC=-800/+900	01121	CB1055
A5R183	0757-0388		RESISTOR 30.1 1% .125W F TC=0+-100	24546	C4-1/8-T0-30R1-F
A5R184	0683-1055		RESISTOR 1M 5% .25W FC TC=-800/+900	01121	CB1055
A5R185	0683-1055		RESISTOR 1M 5% .25W FC TC=-800/+900	01121	CB1055
A5R186	0683-1055		RESISTOR 1M 5% .25W FC TC=-800/+900	01121	CB1055
A5R187	0757-0422		RESISTOR 909 1% .125W F TC=0+-100	24546	C4-1/8-T0-909R-F
A5R188	2100-0554	5	RESISTOR-VAR TKMR 500 OHM 10% C TOP ADJ	73138	72PR500
A5R189	0757-0388		RESISTOR 30.1 1% .125W F TC=0+-100	24546	C4-1/8-T0-30R1-F
A5R190	0757-0408		RESISTOR 243 1% .125W F TC=0+-100	24546	C4-1/8-T0-243R-F
A5R191	0757-0408		RESISTOR 243 1% .125W F TC=0+-100	24546	C4-1/8-T0-243R-F
A5R192	0757-0401		RESISTOR 100 1% .125W F TC=0+-100	24546	C4-1/8-T0-101-F
A5R192	0757-0401		RESISTOR 100 1% .125W F TC=0+-100	24546	C4-1/8-T0-101-F
A5R193	0698-4422	1	RESISTOR 1.27K 1% .125W F TC=0+-100	16299	C4-1/8-T0-1271-F
A5R199	0757-0412	1	RESISTOR 365 1% .125W F TC=0+-100	24546	C4-1/8-T0-365R-F

See table 6-3 for Manufacturer Codes

Table 7-4. Replacement for Table 6-6. Board A6 Replaceable Parts List

Reference Designation	HP Part Number	Qty	Description	Mfr Code	Mfr Part Number
A6	08013-66504	1	BOARD ASSEMBLY, AMPLIFIER OUTPUT	28480	08013-66504
A6C1	0160-2307	1	CAPACITOR-FXD 47PF +-5% 300WVDC MICA	28480	0160-2307
A6C1	0160-0356	2	CAPACITOR-FXD 18PF +-5% 300WVDC MICA	28480	0160-0356
A6C1	0160-2306	3	CAPACITOR-FXD 27PF +-5% 300WVDC MICA	28480	0160-2306
A6C2	0150-0050	2	CAPACITOR-FXD 1000PF +80-20% 1000WVDC	28480	0150-0050
A6C3	0160-2306		CAPACITOR-FXD 27PF +-5% 300WVDC MICA	28480	0160-2306
A6C11	0160-2055	12	CAPACITOR-FXD .01UF +80-20% 100WVDC CER	28480	0160-2055
A6C12	0160-2055		CAPACITOR-FXD .01UF +80-20% 100WVDC CER	28480	0160-2055
A6C13	0160-0174	10	CAPACITOR-FXD .47UF +80-20% 25WVDC CER	28480	0160-0174
A6C20	0160-0174		CAPACITOR-FXD .47UF +80-20% 25WVDC CER	28480	0160-0174
A6C21	0180-0098	2	CAPACITOR-FXD; 100UF+-20% 20VDC TA	56289	150D107X0020S2
A6C22	0160-0174		CAPACITOR-FXD .47UF +80-20% 25WVDC CER	28480	0160-0174
A6C23	0160-2055		CAPACITOR-FXD .01UF +80-20% 100WVDC CER	28480	0160-2055
A6C24	0160-2055		CAPACITOR-FXD .01UF +80-20% 100WVDC CER	28480	0160-2055
A6C25	0121-0046	2	CAPACITOR-V TRMR-CER 9/35PF 200V PC-MTG	00865	304322 9/35PF N650
A6C26	0140-0190	2	CAPACITOR-FXD 39PF +-5% 300WVDC MICA	72136	DM15E390J0300WV1CR
A6C26	0160-0356		CAPACITOR-FXD 18PF +-5% 300WVDC MICA	28480	0160-0356
A6C26	0140-0202	2	CAPACITOR-FXD 15PF +-5% 500WVDC MICA	72136	DM15C150J0500WV1CR
A6C26	0160-2150	2	CAPACITOR-FXD 33PF +-5% 300WVDC MICA	28480	0160-2150
A6C26	0140-0201	2	CAPACITOR-FXD 12PF +-5% 500WVDC MICA	72136	DM15C120J0500WV1CR
A6C27	0160-2055		CAPACITOR-FXD .01UF +80-20% 100WVDC CER	28480	0160-2055
A6C28	0180-0291	4	CAPACITOR-FXD; 1UF+-10% 35VDC TA-SOLID	56289	150D105X9035A2
A6C29	0160-2055		CAPACITOR-FXD .01UF +80-20% 100WVDC CER	28480	0160-2055
A6C30	0180-0291		CAPACITOR-FXD; 1UF+-10% 35VDC TA-SOLID	56289	150D105X9035A2
A6C31	0160-2259	2	CAPACITOR-FXD 12PF +-5% 500WVDC CER	28480	0160-2259
A6C41	0150-0050		CAPACITOR-FXD 1000PF +80-20% 1000WVDC	28480	0150-0050
A6C42	0160-2306		CAPACITOR-FXD 27PF +-5% 300WVDC MICA	28480	0160-2306
A6C51	0160-2055		CAPACITOR-FXD .01UF +80-20% 100WVDC CER	28480	0160-2055
A6C52	0160-2055		CAPACITOR-FXD .01UF +80-20% 100WVDC CER	28480	0160-2055
A6C53	0160-2055		CAPACITOR-FXD .01UF +80-20% 100WVDC CER	28480	0160-2055
A6C54	0160-0174		CAPACITOR-FXD .47UF +80-20% 25WVDC CER	28480	0160-0174
A6C60	0160-0174		CAPACITOR-FXD .47UF +80-20% 25WVDC CER	28480	0160-0174
A6C61	0160-0174		CAPACITOR-FXD .47UF +80-20% 25WVDC CER	28480	0160-0174
A6C62	0180-0098		CAPACITOR-FXD; 100UF+-20% 20VDC TA	56289	150D107X0020S2
A6C63	0160-2055		CAPACITOR-FXD .01UF +80-20% 100WVDC CER	28480	0160-2055
A6C64	0160-2055		CAPACITOR-FXD .01UF +80-20% 100WVDC CER	28480	0160-2055
A6C65	0121-0046		CAPACITOR-V TRMR-CER 9/35PF 200V PC-MTG	00865	304322 9/35PF N650
A6C67	0180-0291		CAPACITOR-FXD; 1UF+-10% 35VDC TA-SOLID	56289	150D105X9035A2
A6C68	0160-2055		CAPACITOR-FXD .01UF +80-20% 100WVDC CER	28480	0160-2055
A6C69	0180-0291		CAPACITOR-FXD; 1UF+-10% 35VDC TA-SOLID	56289	150D105X9035A2
A6C70	0160-2259		CAPACITOR-FXD 12PF +-5% 500WVDC CER	28480	0160-2259
A6C80	0160-0174		CAPACITOR-FXD .47UF +80-20% 25WVDC CER	28480	0160-0174
A6C81	0160-0174		CAPACITOR-FXD .47UF +80-20% 25WVDC CER	28480	0160-0174
A6C90	0160-0174		CAPACITOR-FXD .47UF +80-20% 25WVDC CER	28480	0160-0174
A6C91	0160-0174		CAPACITOR-FXD .47UF +80-20% 25WVDC CER	28480	0160-0174
A6C100	0180-1784	2	CAPACITOR-FXD 1000UF +75-10% 40VDC AL	56289	39D108G040GP4
A6C101	0160-2940	2	CAPACITOR-FXD 470PF +-5% 300WVDC MICA	28480	0160-2940
A6C102	0180-1784		CAPACITOR-FXD 1000UF +75-10% 40VDC AL	56289	39D108G040GP4
A6C103	0160-2940		CAPACITOR-FXD 470PF+-5% 300WVDC MICA	28480	0160-2940
A6C104	0160-4213	2	CAPACITOR-FXD .1UF +-20% 50WVDC POLYE	28480	0160-4213
A6C105	0160-4213		CAPACITOR-FXD .1UF +-20% 50WVDC POLYE	28480	0160-4213
A6CR1	1902-0025	1	DIODE-ZNR 10V 5% DO-7 PD=.4W TC=+.06%	04713	SZ 10939-182
A6CR6	1901-0533	6	DIODE-SCHOTTKY	28480	1901-0533
A6CR7	1901-0533		DIODE-SCHOTTKY	28480	1901-0533
A6CR100	1901-0159	8	DIODE-PWR RECT 400V 750NA DO-41	04713	SR1358-4
A6CR101	1901-0159		DIODE-PWR RECT 400V 750NA DO-41	04713	SR1358-4
A6CR102	1901-0159		DIODE-PWR RECT 400V 750NA DO-41	04713	SR1358-4
A6CR103	1901-0159		DIODE-PWR RECT 400V 750NA DO-41	04713	SR1358-4
A6CR104	1901-0159		DIODE-PWR RECT 400V 750NA DO-41	04713	SR1358-4
A6CR105	1901-0159		DIODE-PWR RECT 400V 750NA DO-41	04713	SR1358-4
A6CR106	1901-0159		DIODE-PWR RECT 400V 750NA DO-41	04713	SR1358-4
A6CR107	1901-0159		DIODE-PWR RECT 400V 750NA DO-41	04713	SR1358-4
A6K1	0490-1079	2	RELAY-REED 1A .5A 100V CONT 5V-COIL	28480	0490-1079
A6K2	0490-1079		RELAY-REED 1A .5A 100V CONT 5V-COIL	28480	0490-1079
A6L1	9100-1613	2	COIL-FXD MOLDED RF CHOKE .47UH 20%	24226	15/470
A6L2	9100-1611	2	COIL-FXD MOLDED RF CHOKE .22UH 20%	24226	15/220
A6L3	9170-0025	8	CORE-SHIELDING BEAD	02114	56-590-65A2/4A
A6L4	9170-0029	3	CORE-SHIELDING BEAD	02114	56-590-65A2/4A
A6L6	9100-1613		COIL-FXD MOLDED RF CHOKE .47UH 20%	24226	15/470
A6L8	9100-1611		COIL-FXD MOLDED RF CHOKE .22UH 20%	24226	15/220
A6L9	9170-0029		CORE-SHIELDING BEAD	02114	56-590-65A2/4A

See table 6-3 for Manufacturer Codes

Table 7-4. Replacement for Table 6-6. Board A6 Replaceable Parts List (Cont'd)

Reference Designation	HP Part Number	Qty	Description	Mfr Code	Mfr Part Number
A6L10	9170-0029		CORE-SHIELDING BEAD	02114	56-590-65A2/4A
A6MP4	1205-0037	2	HEAT-DISSIPATOR SGL TO-36 PKG, Q4	28480	1205-0037
A6MP5	1205-0037		HEAT-DISSIPATOR SGL TO-36 PKG, Q5	28480	1205-0037
A6MP6	1205-0033	8	HEAT-DISSIPATOR SGL TO-5/TO-39 PKG, Q6	28480	1205-0033
A6MP7	1205-0033		HEAT-DISSIPATOR SGL TO-5/TO-39 PKG, Q7	28480	1205-0033
A6MP9	1205-0011	2	HEAT-DISSIPATOR SGL TO-5/TO-39 PKG, Q9	28480	1205-0011
A6MP15	1205-0033		HEAT-DISSIPATOR SGL TO-5/TO-39 PKG, Q15	28480	1205-0033
A6MP16	1205-0033		HEAT-DISSIPATOR SGL TO-5/TO-39 PKG, Q16	28480	1205-0033
A6MP18	1205-0011		HEAT-DISSIPATOR SGL TO-5/TO-39 PKG, Q18	28480	1205-0011
A6MP20	1205-0033		HEAT-DISSIPATOR SGL TO-5/TO-39 PKG, Q20	28480	1205-0033
A6MP22	1205-0033		HEAT-DISSIPATOR SGL TO-5/TO-39 PKG, Q22	28480	1205-0033
A6MP24	1205-0033		HEAT-DISSIPATOR SGL TO-5/TO-39 PKG, Q24	28480	1205-0033
A6MP26	1205-0033		HEAT-DISSIPATOR SGL TO-5/TO-39 PKG, Q26	28480	1205-0033
A6MP27	0340-0720	1	INSULATOR-XSTR TO-18 .1-THK	28480	0340-0720
A6MP28	1200-0185	1	INSULATOR-XSTR TO-5 .075-THK	13103	7717-86N RED
A6Q1	1854-0345	2	TRANSISTOR NPN 2N5179 SI TO-72 PD=200MW	04713	2N5179
A6Q2	1854-0345		TRANSISTOR NPN 2N5179 SI TO-72 PD=200MW	04713	2N5179
A6Q3	1853-0218	1	TRANSISTOR PNP SI TO-18 PD=360MW	28480	1853-0218
A6Q4	1853-0357	2	TRANSISTOR PNP SI TO-18 PD=360MW	28480	1853-0357
A6Q5	1853-0357		TRANSISTOR PNP SI TO-18 PD=360MW	28480	1853-0357
A6Q6	1853-0315	2	TRANSISTOR PNP SI TO-39 PD=1W FT=1GHZ	28480	1853-0315
A6Q7	1853-0315		TRANSISTOR PNP SI TO-39 PD=1W FT=1GHZ	28480	1853-0315
A6Q8	1853-0036	3	TRANSISTOR PNP SI PD=310MW FT=250MHZ	28480	1853-0036
A6Q9	1854-0003	1	TRANSISTOR NPN SI TO-39 PD=800MW	28480	1854-0003
A6Q10	1853-0015	2	TRANSISTOR PNP SI PD=200MW FT=500MHZ	28480	1853-0015
A6Q11	1853-0015		TRANSISTOR PNP SI PD=200MW FT=500MHZ	28480	1853-0015
A6Q12	1854-0009	1	TRANSISTOR NPN 2N709 SI TO-18 PD=300MW	28480	1854-0009
A6Q13	1854-0332	4	TRANSISTOR NPN SI TO-39 PD=1W FT=800MHZ	28480	1854-0332
A6Q14	1854-0332		TRANSISTOR NPN SI TO-39 PD=1W FT=800MHZ	28480	1854-0332
A6Q15	1854-0332		TRANSISTOR NPN SI TO-39 PD=1W FT=800MHZ	28480	1854-0332
A6Q16	1854-0332		TRANSISTOR NPN SI TO-39 PD=1W FT=800MHZ	28480	1854-0332
A6Q17	1854-0215	3	TRANSISTOR NPN SI PD=350MW FT=300MHZ	04713	SPS 3611
A6Q18	1853-0012	1	TRANSISTOR PNP 2N2904A SI TO-5 PD=600MW	01295	2N2904A
A6Q19	1854-0215		TRANSISTOR NPN SI PD=350MW FT=300MHZ	04713	SPS 3611
A6Q20	1853-0027	2	TRANSISTOR PNP SI TO-39 PD=1W FT=100MHZ	28480	1853-0027
A6Q21	1853-0036		TRANSISTOR PNP SI PD=310MW FT=250MHZ	28480	1853-0036
A6Q22	1854-0039	2	TRANSISTOR NPN 2N3053 SI TO-5 PD=1W	04713	2N3053
A6Q23	1854-0215		TRANSISTOR NPN SI PD=350MW FT=300MHZ	04713	SPS 3611
A6Q24	1853-0027		TRANSISTOR PNP SI TO-39 PD=1W FT=100MHZ	28480	1853-0027
A6Q25	1853-0036		TRANSISTOR PNP SI PD=310MW FT=250MHZ	28480	1853-0036
A6Q26	1854-0039		TRANSISTOR NPN 2N3053 SI TO-5 PD=1W	04713	2N3053
A6Q27	1854-0433	2	TRANSISTOR NPN SI PD=90W FT=2MHZ	28480	1854-0433
A6Q28	1854-0433		TRANSISTOR NPN SI PD=90W FT=2MHZ	28480	1854-0433
A6Q29	1854-0630	4	TRANSISTOR NPN SI TO-52 PD=360MW	04713	SS2077
A6Q30	1854-0630		TRANSISTOR NPN SI TO-52 PD=360MW	04713	SS2077
A6Q31	1854-0630		TRANSISTOR NPN SI TO-52 PD=360MW	04713	SS2077
A6Q32	1854-0630		TRANSISTOR NPN SI TO-52 PD=360MW	04713	SS2077
A6R1	0757-0401	2	RESISTOR 100 1% .125W F TC=0+-100	24546	C4-1/8-T0-101-F
A6R2	0698-4418	2	RESISTOR 205 1% .125W F TC=0+-100	16299	C4-1/8-T0-205R-F
A6R3	0757-0280	2	RESISTOR 1K 1% .125W F TC=0+-100	24546	C4-1/8-T0-1001-F
A6R4	0757-0317	4	RESISTOR 1.33K 1% .125W F TC=0+-100	24546	C4-1/8-T0-1331-F
A6R5	0757-0395	2	RESISTOR 56.2 1% .125W F TC=0+-100	24546	C4-1/8-T0-56R2-F
A6R6	0698-3438	2	RESISTOR 147 1% .125W F TC=0+-100	16299	C4-1/8-T0-147R-F
A6R7	0758-0029	2	RESISTOR 470 5% .25W F TC=0+-100	24546	C5-1/4-T0-471-J
A6R8	0757-0419	2	RESISTOR 681 1% .125W F TC=0+-100	24546	C4-1/8-T0-681R-F
A6R9	0757-0317		RESISTOR 1.33K 1% .125W F TC=0+-100	24546	C4-1/8-T0-1331-F
A6R10	0757-0276	2	RESISTOR 61.9 1% .125W F TC=0+-100	24546	C4-1/8-T0-6192-F
A6R13	0757-0178	1	RESISTOR 100 1% .25W F TC=0+-100	24546	C5-1/4-T0-101-F
A6R14	0757-0288	2	RESISTOR 9.09K 1% .125W F TC=0+-100	19701	MF7C1/8-T0-9091-F
A6R15	0757-0442	2	RESISTOR 10K 1% .125W F TC=0+-100	24546	C4-1/8-T0-1002-F
A6R16	0757-0433	1	RESISTOR 3.32K 1% .125W F TC=0+-100	24546	C4-1/8-T0-3321-F
A6R17	0757-0405	2	RESISTOR 162 1% .125W F TC=0+-100	24546	C4-1/8-T0-162R-F
A6R18	0757-0418	2	RESISTOR 619 1% .125W F TC=0+-100	24546	C4-1/8-T0-619R-F
A6R19	0760-0024	2	RESISTOR 100 5% 1W MO TC=0+-200	FR003	C32
A6R21	0757-0500	4	RESISTOR 30.1 1% .25W F TC=0+-100	24546	C5-1/4-T0-30R1-F
A6R22	0757-0500		RESISTOR 30.1 1% .25W F TC=0+-100	24546	C5-1/4-T0-30R1-F
A6R24	0698-3442	1	RESISTOR 237 1% .125W F TC=0+-100	16299	C4-1/8-T0-237R-F
A6R25	2100-0568	2	RESISTOR-VAR TRMR 100 OHM 10% C TOP ADJ	73138	72PR100
A6R26	0757-0393	4	RESISTOR 47.5 1% .125W F TC=0+-100	24546	C4-1/8-T0-47R5-F
A6R27	0757-0393		RESISTOR 47.5 1% .125W F TC=0+-100	24546	C4-1/8-T0-47R5-F
A6R28	0757-0801	6	RESISTOR 150 1% .5W F TC=0+-100	19701	MF7C-1/2-T0-151-F
A6R29	0757-0801		RESISTOR 150 1% .5W F TC=0+-100	19701	MF7C-1/2-T0-151-F
A6R30	0757-0801		RESISTOR 150 1% .5W F TC=0+-100	19701	MF7C-1/2-T0-151-F
A6R32	0757-0274	2	RESISTOR 1.21K 1% .125W F TC=0+-100	24546	C4-1/8-T0-1213-F
A6R39	0698-0082	2	RESISTOR 464 1% .125W F TC=0+-100	16299	C4-1/8-T0-4640-F
A6R39	0757-0406	2	RESISTOR 182 1% .125W F TC=0+-100	24546	C4-1/8-T0-182R-F
A6R40	0757-0401		RESISTOR 100 1% .125W F TC=0+-100	24546	C4-1/8-T0-101-F

See table 6-3 for Manufacturer Codes

Table 7-4. Replacement for Table 6-6. Board A6 Replaceable Parts List (Cont'd)

Reference Designation	HP Part Number	Qty	Description	Mfr Code	Mfr Part Number
A6R41	0698-0082		RESISTOR 464 1% .125W F TC=0+-100	16299	C4-1/8-T0-4640-F
A6R42	0698-4418		RESISTOR 205 1% .125W F TC=0+-100	16299	C4-1/8-T0-205R-F
A6R43	0757-0280		RESISTOR 1K 1% .125W F TC=0+-100	24546	C4-1/8-T0-1001-F
A6R44	0757-0317		RESISTOR 1.33K 1% .125W F TC=0+-100	24546	C4-1/8-T0-1331-F
A6R45	0757-0395		RESISTOR 56.2 1% .125W F TC=0+-100	24546	C4-1/8-T0-56R2-F
A6R46	0698-3438		RESISTOR 147 1% .125W F TC=0+-100	16299	C4-1/8-T0-147R-F
A6R47	0758-0029		RESISTOR 470 5% .25W F TC=0+-100	24546	C5-1/4-T0-471-J
A6R48	0757-0419		RESISTOR 681 1% .125W F TC=0+-100	24546	C4-1/8-T0-681R-F
A6R49	0757-0317		RESISTOR 1.33K 1% .125W F TC=0+-100	24546	C4-1/8-T0-1331-F
A6R50	0757-0276		RESISTOR 61.9 1% .125W F TC=0+-100	24546	C4-1/8-T0-6192-F
A6R53	0758-0013	1	RESISTOR 120 5% .25W F TC=0+-100	24546	C5-1/4-T0-121-J
A6R54	0757-0288		RESISTOR 9.09K 1% .125W F TC=0+-100	19701	MF4C1/8-T0-9091-F
A6R55	0757-0442		RESISTOR 10K 1% .125W F TC=0+-100	24546	C4-1/8-T0-1002-F
A6R56	0757-0279	1	RESISTOR 3.16K 1% .125W F TC=0+-100	24546	C4-1/8-T0-3161-F
A6R57	0757-0405		RESISTOR 162 1% .125W F TC=0+-100	24546	C4-1/8-T0-152R-F
A6R58	0757-0418		RESISTOR 619 1% .125W F TC=0+-100	24546	C4-1/8-T0-619R-F
A6R59	0760-0024		RESISTOR 100 5% 1W MO TC=0+-200	FR003	C32
A6R61	0757-0500		RESISTOR 30.1 1% .25W F TC=0+-100	24546	C5-1/4-T0-30R1-F
A6R62	0757-0500		RESISTOR 30.1 1% .25W F TC=0+-100	24546	C5-1/4-T0-30R1-F
A6R64	0698-3443	1	RESISTOR 287 1% .125W F TC=0+-100	16299	C4-1/8-T0-287R-F
A6R65	2100-0568		RESISTOR-VAR TRMR 100 OHM 10% C TOP ADJ	73138	72PR100
A6R66	0757-0393		RESISTOR 47.5 1% .125W F TC=0+-100	24546	C4-1/8-T0-47R5-F
A6R67	0757-0393		RESISTOR 47.5 1% .125W F TC=0+-100	24546	C4-1/8-T0-47R5-F
A6R68	0757-0801		RESISTOR 150 1% .5W F TC=0+-100	19701	MF7C-1/2-T0-151-F
A6R69	0757-0801		RESISTOR 150 1% .5W F TC=0+-100	19701	MF7C-1/2-T0-151-F
A6R70	0757-0801		RESISTOR 150 1% .5W F TC=0+-100	19701	MF7C-1/2-T0-151-F
A6R71	0757-0406		RESISTOR 182 1% .125W F TC=0+-100	24546	C4-1/8-T0-182R-F
A6R72	0757-0274		RESISTOR 1.21K 1% .125W F TC=0+-100	24546	C4-1/8-T0-1213-F
A6R80	0698-3496	4	RESISTOR 3.57K 1% .125W F TC=0+-100	16299	C4-1/8-T0-357R-F
A6R81	0698-4455	2	RESISTOR 536 1% .125W F TC=0+-100	24546	C4-1/8-T0-536R-F
A6R82	0757-0997	2	RESISTOR 39.2 1% .5W F TC=0+-100	19701	MF7C1/2-T0-39R2-F
A6R83	0757-0415	4	RESISTOR 475 1% .125W F TC=0+-100	24546	C4-1/8-T0-475R-F
A6R84	0698-4421	2	RESISTOR 249 1% .125W F TC=0+-100	16299	C4-1/8-T0-249R-F
A6R85	0698-3496		RESISTOR 3.57K 1% .125W F TC=0+-100	16299	C4-1/8-T0-357R-F
A6R86	0757-0415		RESISTOR 475 1% .125W F TC=0+-100	24546	C4-1/8-T0-475R-F
A6R87	0760-0026	6	RESISTOR 75 2% 1W MO TC=0+-200	FR003	C32
A6R90	0698-3496		RESISTOR 3.57K 1% .125W F TC=0+-100	16299	C4-1/8-T0-357R-F
A6R91	0757-0415		RESISTOR 475 1% .125W F TC=0+-100	24546	C4-1/8-T0-475R-F
A6R92	0760-0026		RESISTOR 75 2% 1W MO TC=0+-200	FR003	C32
A6R93	0698-4421		RESISTOR 249 1% .125W F TC=0+-100	16299	C4-1/8-T0-249R-F
A6R94	0757-0415		RESISTOR 475 1% .125W F TC=0+-100	24546	C4-1/8-T0-475R-F
A6R95	0698-3496		RESISTOR 3.57K 1% .125W F TC=0+-100	16299	C4-1/8-T0-357R-F
A6R96	0698-4455		RESISTOR 536 1% .125W F TC=0+-100	24546	C4-1/8-T0-536R-F
A6R97	0757-0997		RESISTOR 39.2 1% .5W F TC=0+-100	19701	MF7C1/2-T0-39R2-F
A6R100	0811-0929	2	RESISTOR .51 5% 2W PW TC=0+-800	75042	BWH2-R51-J
A6R101	0757-0435	2	RESISTOR 3.92K 1% .125W F TC=0+-100	24546	C4-1/8-T0-3921-F
A6R102	2100-3211	2	RESISTOR-VAR TRMR 1KOHM 10% C TOP ADJ	73138	72PR1K
A6R103	0698-3492	2	RESISTOR 2.67K 1% .125W F TC=0+-100	16299	C4-1/8-T0-2671-F
A6R104	0811-0929		RESISTOR .51 5% 2W PW TC=0+-800	75042	BWH2-R51-J
A6R105	0757-0435		RESISTOR 3.92K 1% .125W F TC=0+-100	24546	C4-1/8-T0-3921-F
A6R106	2100-3211		RESISTOR-VAR TRMR 1KOHM 10% C TOP ADJ	73138	72PR1K
A6R107	0698-3492		RESISTOR 2.67K 1% .125W F TC=0+-100	16299	C4-1/8-T0-2671-F
A6U1	1820-0196	2	IC LIN REGULATOR	07263	723HC
A6U2	1820-0196		IC LIN REGULATOR	07263	723HC

See table 6-3 for Manufacturer Codes

Table 7-5. Replacement for Table 6-7. Board A7 Replaceable Parts List

Reference Designation	HP Part Number	Qty	Description	Mfr Code	Mfr Part Number
A7	08013-66505	1	BGARD ASSEMBLY, MOTHER	28480	08013-66505
A7CR1	1901-0533		DIODE-SCHOTTKY	28480	1901-0533
A7CR2	1501-0533		DIODE-SCHOTTKY	28480	1901-0533
A7CR3	1901-0533		DIODE-SCHOTTKY	28480	1901-0533
A7CR4	1901-0533		DIODE-SCHOTTKY	28480	1901-0533
ATJ5	1251-2026	1	CONNECTOR-PC EDGE 18-CONT/ROW 2-ROWS	71785	252-18-30-300
A7L1	9140-0118	2	COIL-FXD MOLDED RF CHOKE 500UH 5%	24226	19/503
A7L2	9140-0118		COIL-FXD MOLDED RF CHOKE 500UH 5%	24226	19/503
A7L3	9170-0029		CORE-SHIELDING BEAD	02114	56-590-65A2/4A
A7L4	9170-0029		CORE-SHIELDING BEAD	02114	56-590-65A2/4A
A7L5	9170-0029		CORE-SHIELDING BEAD	02114	56-590-65A2/4A
A7L6	9170-0029		CORE-SHIELDING BEAD	02114	56-590-65A2/4A
A7L7	9170-0029		CORE-SHIELDING BEAD	02114	56-590-65A2/4A
A7L8	9170-0029		CORE-SHIELDING BEAD	02114	56-590-65A2/4A
A7 MP1	5020-3440	5	SPRING DETENT POP S1, S2, S3, S6, S7	28480	5020-3440
A7R7	0760-0027	4	RESISTOR 150 2% 1W MO TC=0+-200	FR003	C32
A7R8	0760-0027		RESISTOR 150 2% 1W MO TC=0+-200	FR003	C32
A7R9	0760-0027		RESISTOR 150 2% 1W MO TC=0+-200	FR003	C32
A7R10	0760-0027		RESISTOR 150 2% 1W MO TC=0+-200	FR003	C32
A7R11	0757-0172	2	RESISTOR 37.4 1% .5W F TC=0+-100	19701	MF7C1/2-T0-37R4-F
A7R12	0757-0172		RESISTOR 37.4 1% .5W F TC=0+-100	19701	MF7C1/2-T0-37R4-F
A7R13	0760-0026		RESISTOR 75 2% 1W MO TC=0+-200	FR003	C32
A7R14	0760-0026		RESISTOR 75 2% 1W MO TC=0+-200	FR003	C32
A7R15	0760-0026		RESISTOR 75 2% 1W MO TC=0+-200	FR003	C32
A7R16	0760-0026		RESISTOR 75 2% 1W MO TC=0+-200	FR003	C32
A7R17	0757-0799	2	RESISTOR 121 1% .5W F TC=0+-100	19701	MF7C-1/2-T0-121R-F
A7R18	0757-0799		RESISTOR 121 1% .5W F TC=0+-100	19701	MF7C-1/2-T0-121R-F
A7R19	0698-3616	2	RESISTOR 62 5% 2W MO TC=0+-200	16299	FP42-2-T00-62R0-J
A7R20	0698-3616		RESISTOR 62 5% 2W MO TC=0+-200	16299	FP42-2-T00-62R0-J
A7R21	0761-0003	2	RESISTOR 62 5% 1W MO TC=0+-200	24546	FP32-1-62R0-J
A7R22	0761-0003		RESISTOR 62 5% 1W MO TC=0+-200	24546	FP32-1-62R0-J
A7R23	0757-0071	2	RESISTOR 247.5 1% .25W F TC=0+-100	19701	MF52C1/4-T0-247R5-F
A7R24	0757-0071		RESISTOR 247.5 1% .25W F TC=0+-100	19701	MF52C1/4-T0-247R5-F
A7R27	0757-0407	2	RESISTOR 200 1% .125W F TC=0+-100	24546	C4-1/8-T0-201-F
A7R28	0757-0407		RESISTOR 200 1% .125W F TC=0+-100	24546	C4-1/8-T0-201-F
A7R29	0757-0200	2	RESISTOR 5.62K 1% .125W F TC=0+-100	24546	C4-1/8-T0-5621-F
A7R30	0757-0200		RESISTOR 5.62K 1% .125W F TC=0+-100	24546	C4-1/8-T0-5621-F
A7R31	0757-0437	2	RESISTOR 4.75K 1% .125W F TC=0+-100	24546	C4-1/8-T0-4751-F
A7R32	0757-0437		RESISTOR 4.75K 1% .125W F TC=0+-100	24546	C4-1/8-T0-4751-F
A7R33	0758-0028	1	RESISTOR 270 5% .25W F TC=0+-100	24546	C5-1/4-T0-271-J
A7S1	5040-1109	2	SLIDE ASSEMBLY, P.C. SWITCH	28480	5040-1109
A7S2	5040-1109		SLIDE ASSEMBLY, P.C. SWITCH	28480	5040-1109
A7S3	5040-1110	1	SLIDE ASSEMBLY, P.C. SWITCH	28480	5040-1110
A7S5	3101-1311	5	SWITCH-SL DPDT-NS STD .5A 125VAC/DC	28480	3101-1311
A7S6	5040-1112	2	SLIDE ASSEMBLY, P.C. SWITCH	28480	5040-1112
A7S7	5040-1112		SLIDE ASSEMBLY, P.C. SWITCH	28480	5040-1112
A7S8	3101-1311		SWITCH-SL DPDT-NS STD .5A 125VAC/DC	28480	3101-1311
A7S9	3101-1311		SWITCH-SL DPDT-NS STD .5A 125VAC/DC	28480	3101-1311
A7S10	3101-1311		SWITCH-SL DPDT-NS STD .5A 125VAC/DC	28480	3101-1311
A7S11	3101-1311		SWITCH-SL DPDT-NS STD .5A 125VAC/DC	28480	3101-1311
A7X6	1251-2034	1	CONNECTOR-PC EDGE 10-CONT/ROW 2-ROWS	71785	252-10-30-300

See table 6-3 for Manufacturer Codes

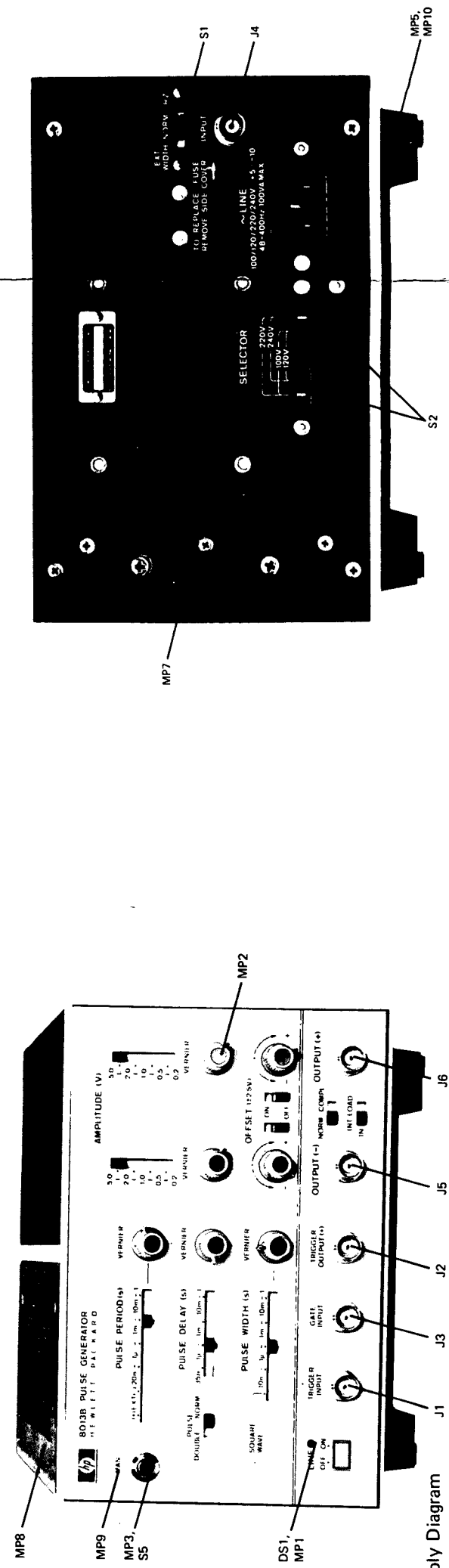
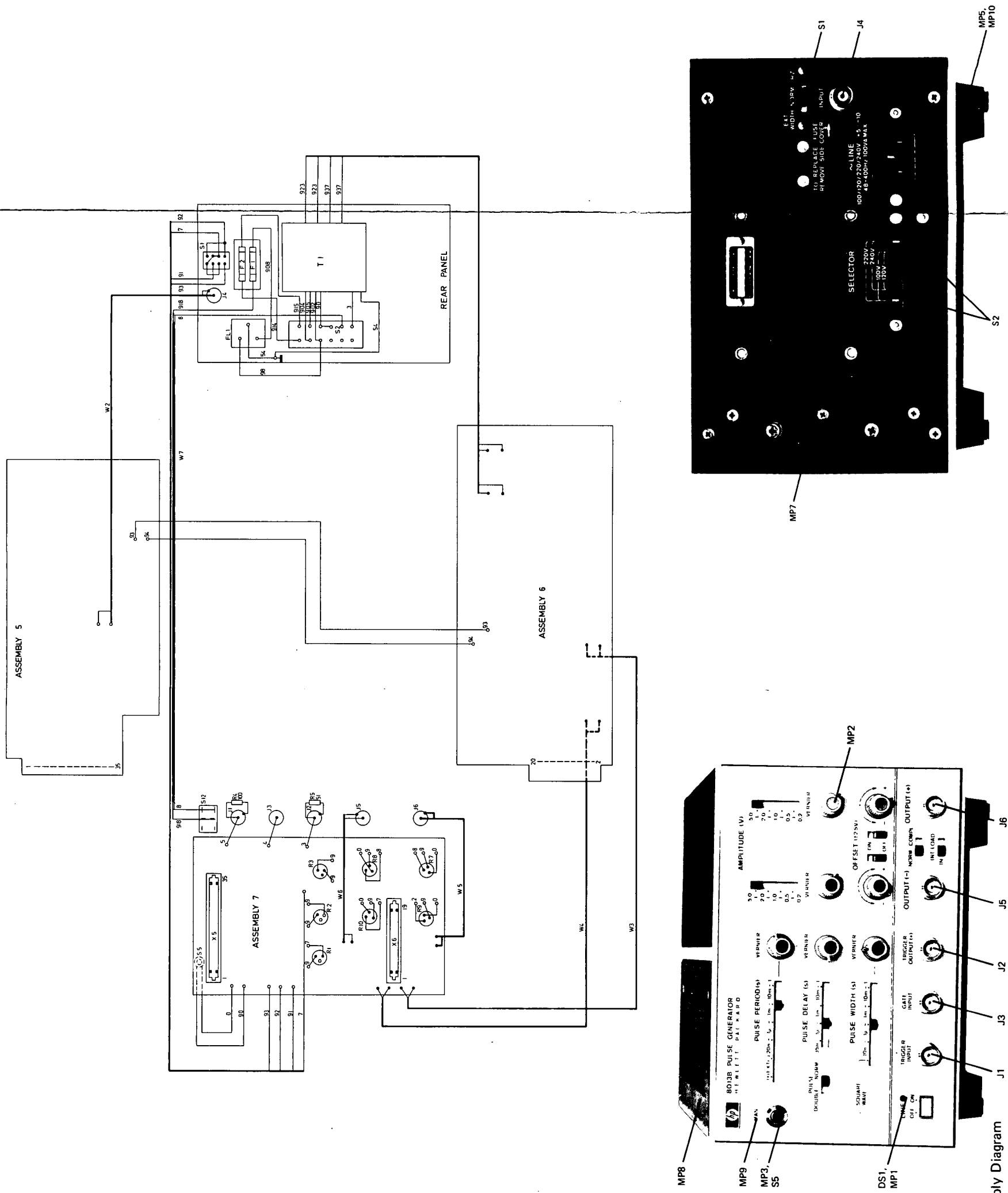
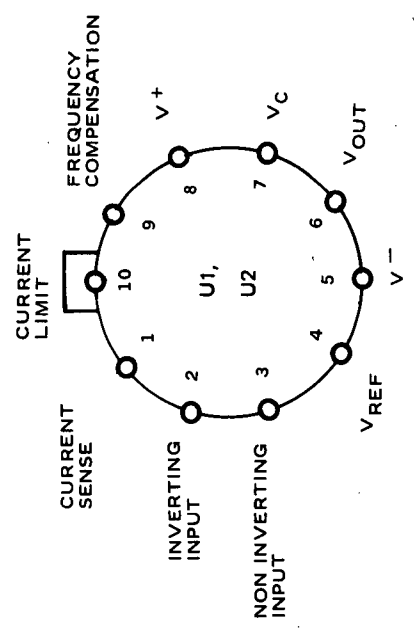
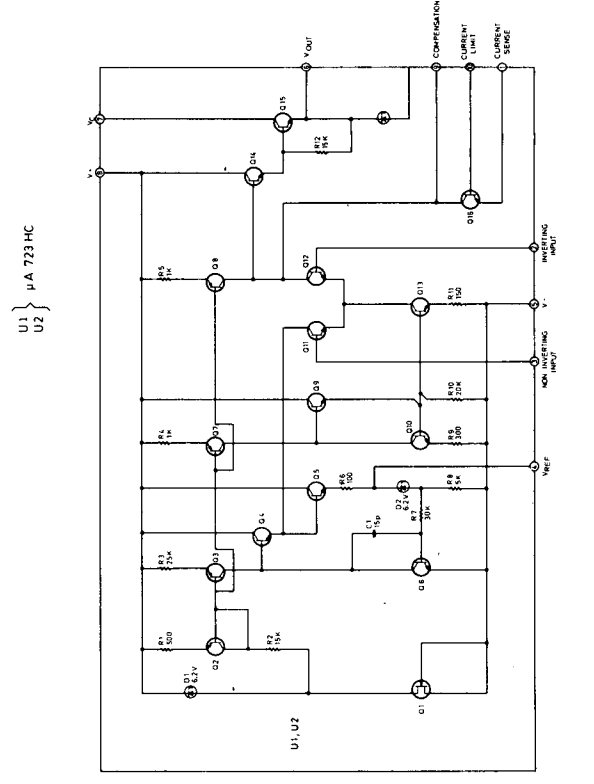
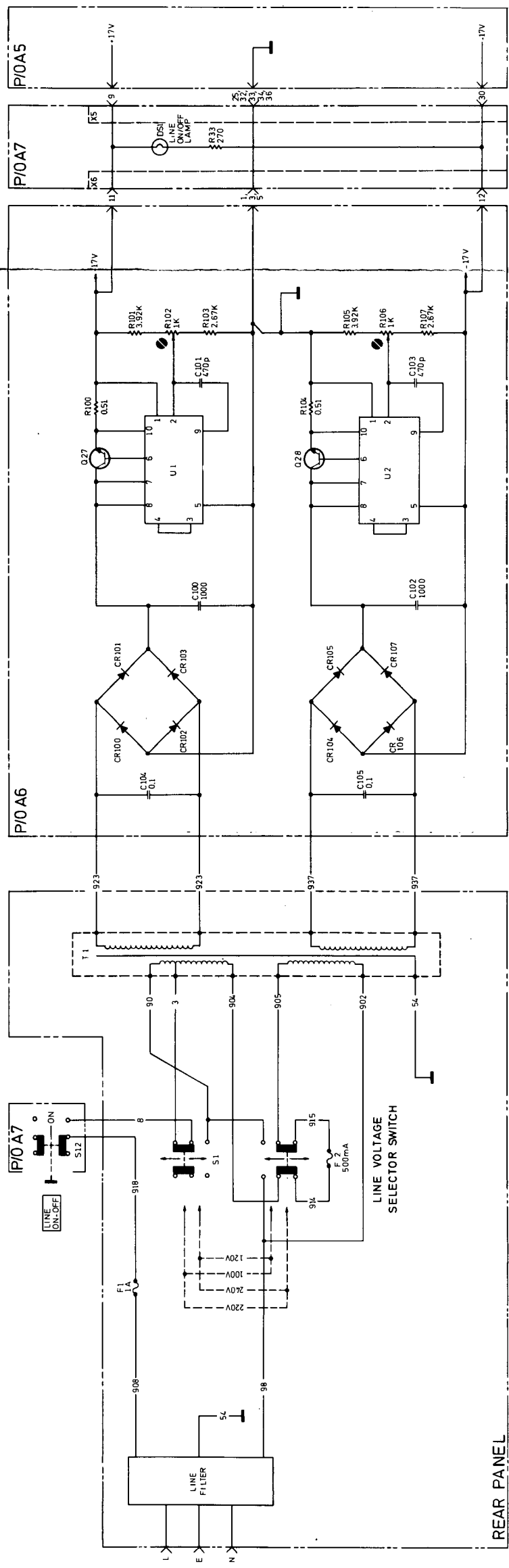


Figure 7-1. Replacement for Figure 6-1. Assembly Diagram



NOTE: Pin 5 connected to case.

U1 } μ A 723HC
U2 }

VOLTAGE REGULATOR IC's - BOARD A6

Figure 7-3. Replacement for Figure 6-12. Power Supplies 8013B